

Fans

Technical
Catalogue

General data

Labeling

Labelling a fan as either ErP2013 or ErP2015 compliant indicates that it is compliant with the minimum requirements set forth in the respective Commission Regulation EU No 327/2011. The actual energy efficiency level of the fan used for the ErP rating is noted as nstat A. In order to comply with the requirements set forth in the ErP regulation, this energy efficiency level has to reach a specific minimum value (target energy level). The efficiency grade N is a parameter used in the calculation of the target energy efficiency as defined in Annex II of Commission Regulation EU No. 327/2011. Any and all data pertaining to ErP refer to measurement data established using the Hidria standard full bell mouth, and is based on a drawing and measurement table without guard grille. Actual efficiency level for every and each particular fan are published at Hidria web site www.hidria.com.

Aerodynamics and Acoustics

Measurement method

The 'characteristic curve' diagram shows the pressure increase Δp_s in Pa as a function of the volume flow rate q_v in m³/h. The specified performance data meets the requirements according to accuracy class 3, compliant with DIN 24 166, and applies to the rated data and air performance curves at the rated voltage, air density of 1,2 kg/m³ and at 20 °C ambient temperature. The continuous line in the characteristic map represents the optimum reliable operating range for axial fans.

Fan test-bench

The fan characteristic curves are determined on a combined ventilation and sound reverberant room test-bench.

The characteristic curves are measured in compliance with DIN EN ISO 5801. The sound power levels are measured in reverberant room in compliance with DIN EN ISO 3743. The fan is attached to the measuring chamber with free (air) intake and (air) outlet (installation type A in compliance with DIN EN ISO 5801). Unless otherwise indicated, this catalogue specifies the intake side A-evaluated sound power levels LWA. The standard measurements are carried out without the need for additional parts, e.g. guard grille.







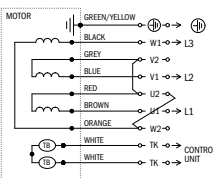
The A-weighted sound power level is the standard variable used to assess the sound characteristics of technical equipment.

General notes

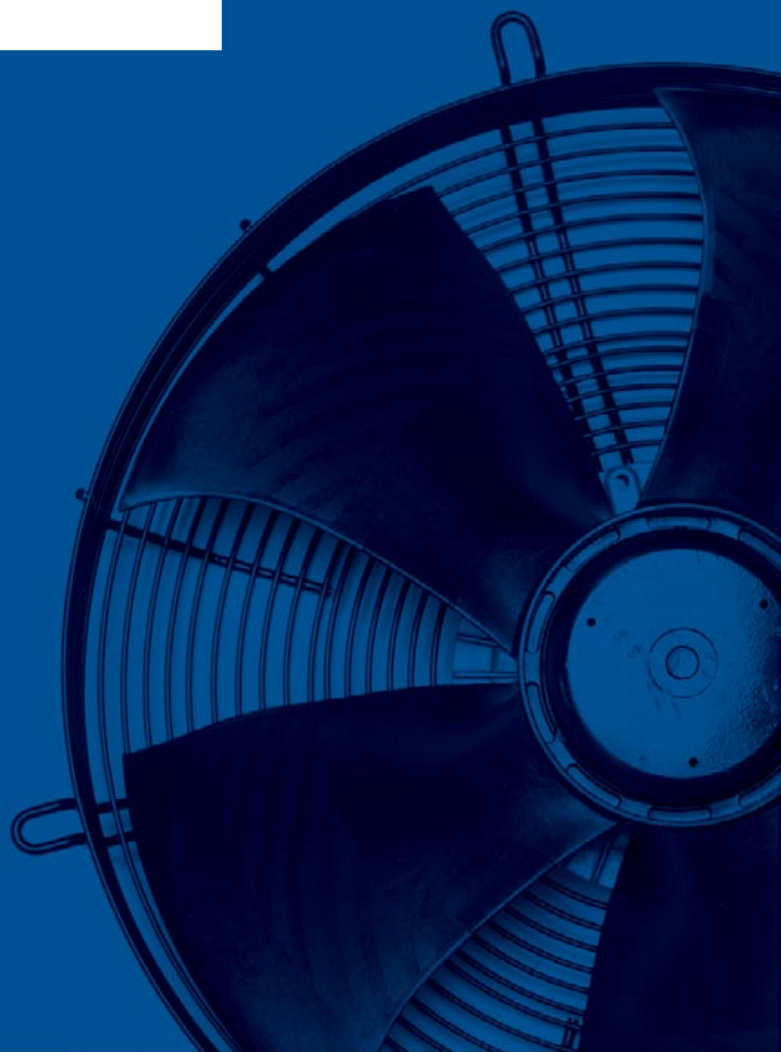
The information and data contained in this catalogue were composed to the best of our ability and do not absolve the user from its duty to verify the suitability of the products with respect to its intended application.

Hidria reserves the right to make design changes, which are used for continuous performance and/or safety improvement.



| | | Page | |
|---|---|------|---------------------------------------|
|  | 01. EC Axial fans | 04 | EC AXIAL FANS |
|  | 02. AC Axial fans – Sickled blades | 26 | AC AXIAL FANS SICKLED BLADES |
|  | 03. AC Axial fans – Plastic blades | 60 | AC AXIAL FANS PLASTIC BLADES |
|  | 04. AC Axial fans – Paddle blades | 74 | AC AXIAL FANS PADDLE BLADES |
|  | 05. AC Radial fans - Backward curved blades | 124 | AC RADIAL FANS BACKWARD CURVED BLADES |
|  | 06. Accessories | 134 | ACCESSORIES |
|  | 07. Connection diagrams | 142 | CONNECTION DIAGRAMS |

01





EC Axial fans

EC AXIAL FANS

AC AXIAL FANS
SICKLED BLADES

AC AXIAL FANS
PLASTIC BLADES

AC AXIAL FANS
PADDLE BLADES

AC RADIAL FANS
BACKWARD CURVED BLADES

ACCESSORIES

CONNECTION DIAGRAMS

EC Axial fans

■ Electrical connection and motor

The three-phase or single phase EC (Electronically Commutated) external rotor permanent magnet integrated into the fan hub meets the requirements for circulating electric machines according to EN 60335-2-80:2003.

The rated voltage for a three-phase power supply is 400 V and for single-phase it is 230 V. The EC motors are suitable for power network with single phase voltage range 200.277 V 50/60 Hz or three-phase 380-480V 50/60Hz. Refer to the data sheet of each fan for the details.

■ Motor connection

Mains connection is made via terminal box or outgoing connection cable as shown in dimensional drawings.

The standard version of an EC fan has:

- 1 or 3 phase line,
- N – neutral,
- G- ground,
- analog input (0-10 V or PWM),
- SELV power supply 10 VDC (max. 30 mA),
- Tach out or error out signal (programmable),

Reference control signal is optional when build in PID controller is required.

■ Terminal box and connection cable

Terminal boxes are made of shock-proof and weather-resistant plastics.

Heat and UV resistant halogen-free hose cables are used, marked by a color code or connection designations as labeled on to terminal block.

The cable construction complies with VDE 0282 Part 804 and is suitable for operating voltages of up to 400 V for single phase products and 690 V for tri phase products.

■ Speed controls

Hidria EC fans are made with integrated electronic variable speed drive (VSD). Speed variation can be made by speed input signal 0V to 10 VDC, 4-20 mA or Pulse

Width Modulated(PWM) frequency signal. Please read EC fan safety, installation and maintenance instructions prior any of these actions is to be taken.

■ Installation and usage information

For the installation, maintenance and safe usage of EC axial fans, please refer to user manual.

■ Materials and corrosion protection

Hidria EC Axial fan impellers are made of high-performance PA composite material or steel. The impeller is pressed onto the rotor. The stator flange is made of hi-pressure die-casted seawater resistant aluminum alloy. Rotors and fan nozzles are made of steel sheet and coated to meet resistance to corrosion as set by ISO 12944-2 class C3 (medium). Additional coating on request and at supplementary cost. The wire protection grilles have a weather resistant plastic coating.

■ Operating conditions and product life

Safety

The fans may only be operated when they are installed as intended and when safety is ensured by safety equipment according to DIN EN 294 resp. ISO13852 (DIN EN ISO 12100) or by other protection measures.

Safety approvals

Depending on the product, Hidria fans comply with the one or more of the following standards: EN 60335-1, EN 61800-5-1 and EN 60034-1. All EC fans can be supplied with CE approvals. UL/ CSA, CCC and/or GOST approvals on request. All EC fans meet requirements of EU Directives ROHS 2002/95/EC and REACH 1907/2006/EC.

Condensation drain holes

EC fans are intended to be installed with rotor in horizontal position or with rotor at the bottom of the fan (connection box or cables on the top). The lower of the

condensation drain hole must be open when the fan is installed with the rotor at the bottom. With horizontal mounting position condensate can escape via the gap between stator and rotor. Fans suitable for installation with rotor at the top (connection box or cables at the bottom) or at any other angle are available only on request.

Operating mode

Continuous operation (S1). Use speed control input signal when On/Off cycling of EC fan is required. Power supply cycling is allowed only at certain conditions. See EC fan User Manual.

Resistance to water, dust and moisture

Majority of axial fans are resistant to presence of water, dust and moisture as defined by class IP44 or IP 54 (IEC 60529, IEC60034, IEC60335).

Ambient conditions

If not instructed differently the fans can be subjected to the following conditions:

- Placed outdoors (rain, snow, UV radiation).
- Working ambient temperatures between -25 °C and +65 °C.
- Storage temperatures -40 °C to +80 °C.

Product life

By utilizing lifetime maintenance free bearings, our EC axial fans are maintenance free for the entire life time of approximately 30-40.000 hours for standard applications and environmental conditions.

Contact protection

The preferred “protective construction” used on axial fans is a guard grille. Depending on the airflow direction, the guard grille is located on the intake or pressure side of the fan.

The “Accessories” section contains separate guard grilles, which can be positioned on the pressure or intake side of the fan as required and depending on the installation situation, to meet the safety requirements set out in DIN EN ISO 13857, defining safety distance requirements to prevent upper limbs from getting into hazardous areas.

The guard grille results in a resistance to the conveyed airflow, which manifests itself in the pressure loss.

Axial fans with electronically comutated (EC) motors



Stamped metal blades (type 30H)
Diameters: 300-350 mm



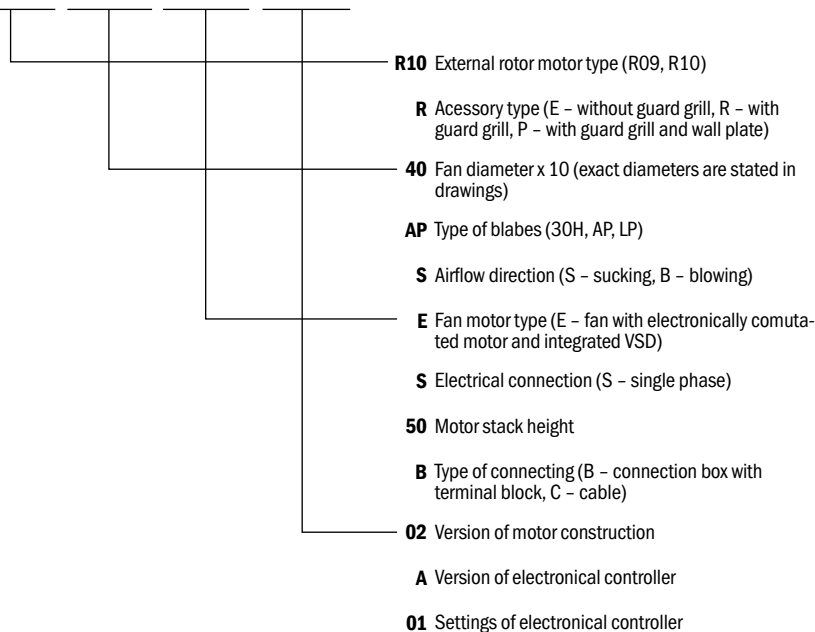
Plastic blades (type AP, LP)
Diameters: 400-500 mm



Plastic blades (type LP)
Diameters: 560-630 mm

Example of type key:

R10R-40APS-ES50B-02A01



Diameter: **300 mm**

R09_-3030H_-ES25C-01A04



| Nominal data according to standard EN 60335: | |
|---|----------|
| Phase | 1~ |
| Nominal voltage | 230V |
| Nominal voltage range | 230 V |
| Frequency | 50-60Hz |
| Input power | 80 W |
| Input current | 0.64 A |
| Nominal speed | 1650 RPM |
| Min. ambient temperature | -25 °C |
| Protection class | IP44 |
| Insulation class | 130 |

ErP data according to EU regulation 327/2011:
Is not subject to the EU regulation 327/2011.
 Power input lower than 125 W.

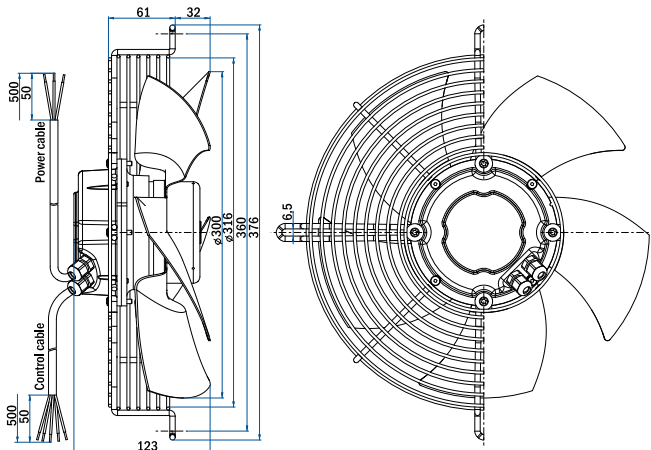
| General notes | |
|------------------------|----------|
| Connection diagram: | Page 144 |
| Accessories | Page 134 |
| Compliant to standards | Page 6 |

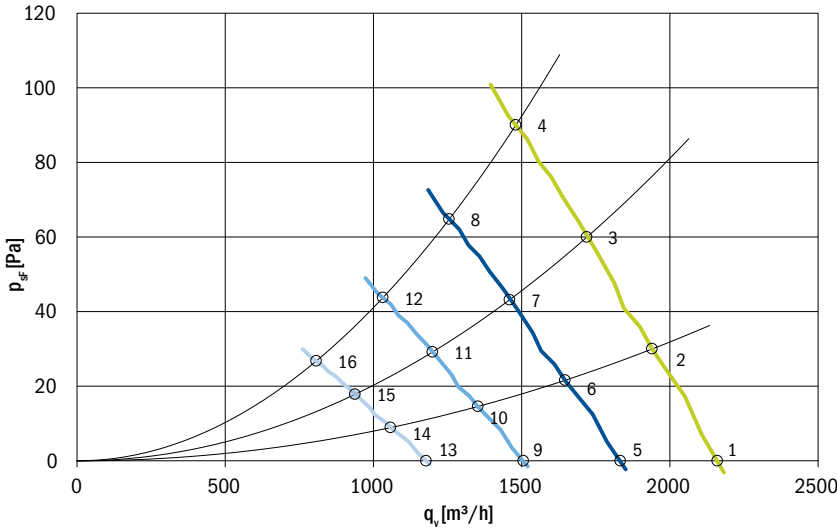
Dimensions and fan ordering information



Type: R09R-3030HS-ES25C-01A04
 Code: 0309-4-2003
 Weight: 3.3kg

Type: R09P-3030HS-ES25C-01A04
 Code: On request
 Weight:





| | U [V] | f [Hz] | n [RPM] | q _v [m³/h] | p _{sF} [Pa] | P _e [W] | I [A] | L _{WA out} [dB (A)] | T _{a max} [°C] |
|----|-------|--------|---------|-----------------------|----------------------|--------------------|-------|------------------------------|-------------------------|
| 1 | 230 | 50 | 1650 | 2160 | 0 | 60 | 0.50 | 68 | 65 |
| 2 | 230 | 50 | 1650 | 1940 | 30 | 72 | 0.59 | 68 | 65 |
| 3 | 230 | 50 | 1650 | 1720 | 60 | 80 | 0.64 | 66 | 65 |
| 4 | 230 | 50 | 1650 | 1480 | 90 | 85 | 0.69 | 66 | 65 |
| 5 | 230 | 50 | 1400 | 1833 | 0 | 40 | 0.34 | 64 | 65 |
| 6 | 230 | 50 | 1400 | 1646 | 22 | 47 | 0.39 | 64 | 65 |
| 7 | 230 | 50 | 1400 | 1459 | 43 | 50 | 0.41 | 61 | 65 |
| 8 | 230 | 50 | 1400 | 1256 | 65 | 54 | 0.44 | 62 | 65 |
| 9 | 230 | 50 | 1150 | 1505 | 0 | 24 | 0.21 | 60 | 65 |
| 10 | 230 | 50 | 1150 | 1352 | 15 | 28 | 0.24 | 59 | 65 |
| 11 | 230 | 50 | 1150 | 1199 | 29 | 31 | 0.26 | 56 | 65 |
| 12 | 230 | 50 | 1150 | 1032 | 44 | 32 | 0.27 | 57 | 65 |
| 13 | 230 | 50 | 900 | 1178 | 0 | 14 | 0.13 | 54 | 65 |
| 14 | 230 | 50 | 900 | 1058 | 9 | 15 | 0.14 | 53 | 65 |
| 15 | 230 | 50 | 900 | 938 | 18 | 17 | 0.15 | 50 | 65 |
| 16 | 230 | 50 | 900 | 807 | 27 | 18 | 0.16 | 49 | 65 |

Aerodynamic characteristic:

- measured in full bell mouth without guard grill
- installation category A according to ISO 5801

Sound power level:

- measured on pressure side 1m from fan mounted in full bell mouth without guard grill
- measured according to ISO 3741

The values given may vary according to actual installation in the unit.

Definition of symbols

- U [V]** Supply voltage
- f [Hz]** Frequency
- n [RPM]** Fan speed
- q_v [m³/h]** Air flow
- p_{sF} [Pa]** Pressure drop
- P_e [W]** Power input
- I [A]** Current
- L_{WA} [dB (A)]** Sound power level A weighted
- T_{a max} [°C]** Max. ambient temperature

EC AXIAL FANS

AC AXIAL FANS
SICKLED BLADES

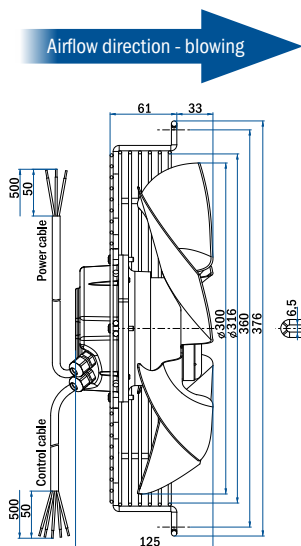
AC AXIAL FANS
PLASTIC BLADES

AC AXIAL FANS
PADDLE BLADES

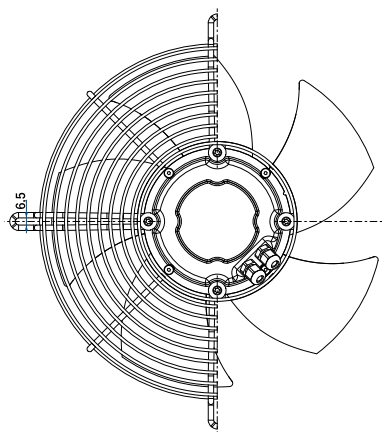
AC RADIAL FANS
BACKWARD CURVED BLADES

ACCESSORIES

CONNECTION DIAGRAMS



Type: R09R-3030HB-ES25C-01A04
Code: On request
Weight:



Type: R09P-3030HB-ES25C-01A04
Code: On request
Weight:

Diameter: 315 mm

R09_-3130H_-ES25C-01A04



| Nominal data according to standard EN 60335: | |
|---|----------|
| Phase | 1~ |
| Nominal voltage | 230V |
| Nominal voltage range | 230 V |
| Frequency | 50-60Hz |
| Input power | 120 W |
| Input current | 1.0 A |
| Nominal speed | 1650 RPM |
| Min. ambient temperature | -25 °C |
| Protection class | IP44 |
| Insulation class | 130 |

ErP data according to EU regulation 327/2011:
Is not subject to the EU regulation 327/2011.
 Power input lower than 125 W.

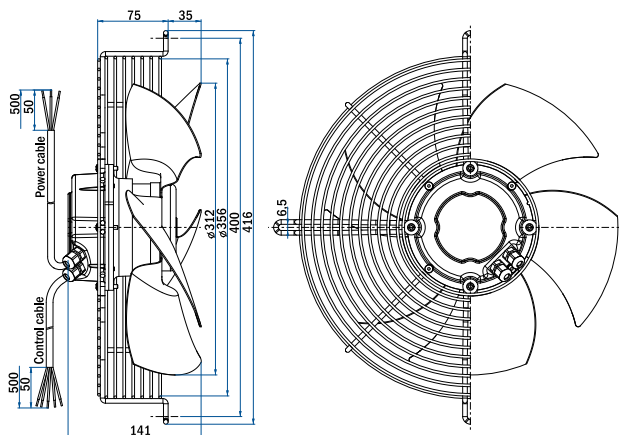
| General notes | |
|------------------------|----------|
| Connection diagram: | Page 144 |
| Accessories | Page 134 |
| Compliant to standards | Page 6 |

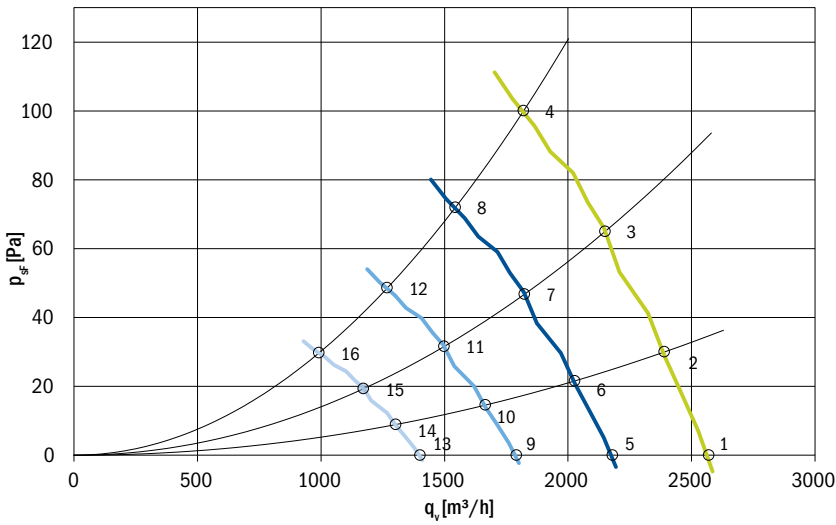
Dimensions and fan ordering information



Type: R09R-3130HS-ES25C-01A04
 Code: 0309-4-2002
 Weight: 3.3kg

Type: R09P-3130HS-ES25C-01A04
 Code: On request
 Weight:





| | U [V] | f [Hz] | n [RPM] | q _v [m ³ /h] | p _{sF} [Pa] | P _e [W] | I [A] | L _{WA out} [dB (A)] | T _{a max} [°C] |
|----|-------|--------|---------|------------------------------------|----------------------|--------------------|-------|------------------------------|-------------------------|
| 1 | 230 | 50 | 1650 | 2570 | 0 | 84 | 0.69 | 66 | 65 |
| 2 | 230 | 50 | 1650 | 2390 | 30 | 99 | 0.80 | 65 | 65 |
| 3 | 230 | 50 | 1650 | 2150 | 65 | 112 | 0.88 | 64 | 65 |
| 4 | 230 | 50 | 1650 | 1820 | 100 | 123 | 0.96 | 64 | 65 |
| 5 | 230 | 50 | 1400 | 2181 | 0 | 53 | 0.46 | 62 | 65 |
| 6 | 230 | 50 | 1400 | 2028 | 22 | 66 | 0.52 | 61 | 65 |
| 7 | 230 | 50 | 1400 | 1824 | 47 | 71 | 0.57 | 60 | 65 |
| 8 | 230 | 50 | 1400 | 1544 | 72 | 77 | 0.63 | 60 | 65 |
| 9 | 230 | 50 | 1150 | 1791 | 0 | 31 | 0.27 | 57 | 65 |
| 10 | 230 | 50 | 1150 | 1666 | 15 | 37 | 0.32 | 56 | 65 |
| 11 | 230 | 50 | 1150 | 1498 | 32 | 41 | 0.34 | 55 | 65 |
| 12 | 230 | 50 | 1150 | 1268 | 49 | 45 | 0.37 | 55 | 65 |
| 13 | 230 | 50 | 900 | 1402 | 0 | 18 | 0.16 | 51 | 65 |
| 14 | 230 | 50 | 900 | 1304 | 9 | 20 | 0.17 | 50 | 65 |
| 15 | 230 | 50 | 900 | 1173 | 19 | 23 | 0.20 | 49 | 65 |
| 16 | 230 | 50 | 900 | 993 | 30 | 24 | 0.20 | 49 | 65 |

Aerodynamic characteristic:

- measured in full bell mouth without guard grill
- installation category A according to ISO 5801

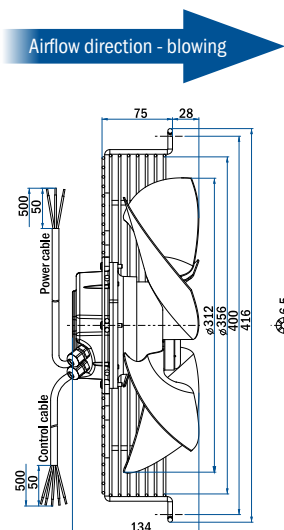
Sound power level:

- measured on pressure side 1m from fan mounted in full bell mouth without guard grill
- measured according to ISO 3741

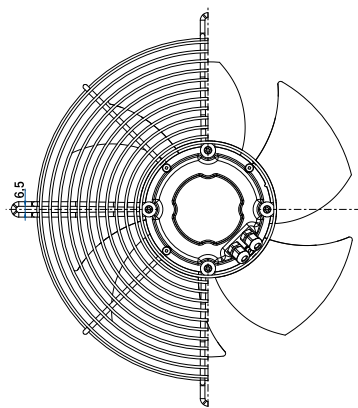
The values given may vary according to actual installation in the unit.

Definition of symbols

- U [V]** Supply voltage
- f [Hz]** Frequency
- n [RPM]** Fan speed
- q_v [m³/h]** Air flow
- p_{sF} [Pa]** Pressure drop
- P_e [W]** Power input
- I [A]** Current
- L_{WA} [dB (A)]** Sound power level A weighted
- T_{a max} [°C]** Max. ambient temperature



Type: R09R-3130HB-ES25C-01A04
 Code: On request
 Weight:



Type: R09P-3130HB-ES25C-01A04
 Code: On request
 Weight:

EC AXIAL FANS

AC AXIAL FANS
SICKLED BLADES

AC AXIAL FANS
PLASTIC BLADES

AC AXIAL FANS
PADDLE BLADES

AC RADIAL FANS
BACKWARD CURVED BLADES

ACCESSORIES

CONNECTION DIAGRAMS

Diameter: **330 mm**

R09_-3330H_-ES25C-01A06



| Nominal data according to standard EN 60335: | |
|--|----------|
| Phase | 1~ |
| Nominal voltage | 230 V |
| Nominal voltage range | 230 V |
| Frequency | 50-60 Hz |
| Input power | 120 W |
| Input current | 0.90 A |
| Nominal speed | 1550 RPM |
| Min. ambient temperature | -25 °C |
| Protection class | IP44 |
| Insulation class | 130 |

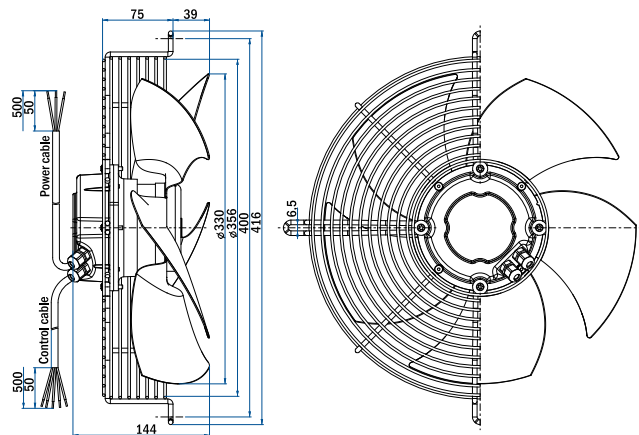
| ErP data according to EU regulation 327/2010: | |
|---|------------------------|
| Overall efficiency | 46.4 % |
| Measurement category | A |
| Efficiency category | static |
| Efficiency grade N | 58.2 |
| Variable speed drive | INTEGRATED |
| Power input | 136 W |
| Air flow | 1854 m ³ /h |
| Pressure drop | 111 Pa |
| Rotational speed | 1556 RPM |
| Specific ratio | 1.00 |

| General notes | |
|------------------------|----------|
| Connection diagram: | Page 144 |
| Accessories | Page 134 |
| Compliant to standards | Page 6 |

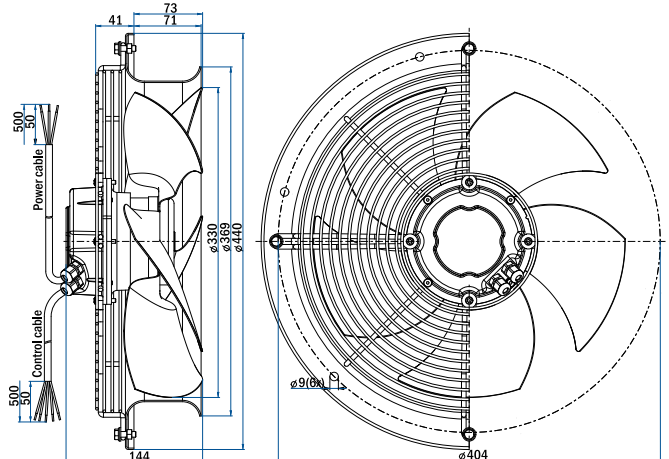
Dimensions and fan ordering information

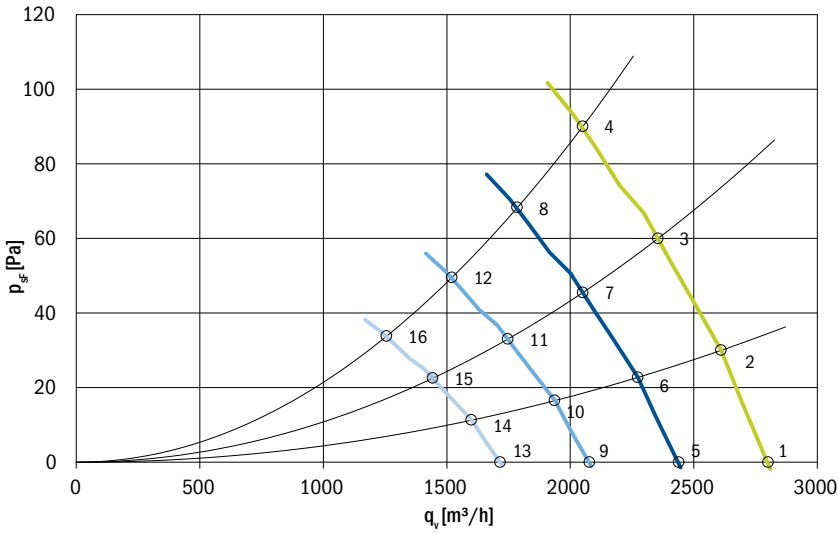


Type: R09R-3330HS-ES25C-01A06
Code: 0309-4-2001
Weight: 3.5kg



Type: R09P-3330HS-ES25C-01A06
Code: On request
Weight:





| | U [V] | f [Hz] | n [RPM] | q _v [m ³ /h] | p _{sF} [Pa] | P _e [W] | I [A] | L _{WA out} [dB (A)] | T _{a max} [°C] |
|----|-------|--------|---------|------------------------------------|----------------------|--------------------|-------|------------------------------|-------------------------|
| 1 | 230 | 50 | 1550 | 2800 | 0 | 83 | 0.68 | 70 | 65 |
| 2 | 230 | 50 | 1550 | 2610 | 30 | 98 | 0.80 | 68 | 65 |
| 3 | 230 | 50 | 1550 | 2355 | 60 | 116 | 0.94 | 66 | 65 |
| 4 | 230 | 50 | 1550 | 2050 | 90 | 123 | 0.99 | 66 | 65 |
| 5 | 230 | 50 | 1350 | 2439 | 0 | 53 | 0.49 | 66 | 65 |
| 6 | 230 | 50 | 1350 | 2273 | 23 | 68 | 0.56 | 64 | 65 |
| 7 | 230 | 50 | 1350 | 2051 | 46 | 76 | 0.64 | 63 | 65 |
| 8 | 230 | 50 | 1350 | 1785 | 68 | 81 | 0.66 | 62 | 65 |
| 9 | 230 | 50 | 1150 | 2077 | 0 | 38 | 0.32 | 62 | 65 |
| 10 | 230 | 50 | 1150 | 1936 | 17 | 44 | 0.37 | 60 | 65 |
| 11 | 230 | 50 | 1150 | 1747 | 33 | 47 | 0.41 | 59 | 65 |
| 12 | 230 | 50 | 1150 | 1521 | 50 | 53 | 0.43 | 58 | 65 |
| 13 | 230 | 50 | 950 | 1716 | 0 | 21 | 0.19 | 57 | 65 |
| 14 | 230 | 50 | 950 | 1600 | 11 | 26 | 0.23 | 55 | 65 |
| 15 | 230 | 50 | 950 | 1443 | 23 | 28 | 0.24 | 54 | 65 |
| 16 | 230 | 50 | 950 | 1256 | 34 | 32 | 0.27 | 53 | 65 |

Aerodynamic characteristic:

- measured in full bell mouth without guard grill
- installation category A according to ISO 5801

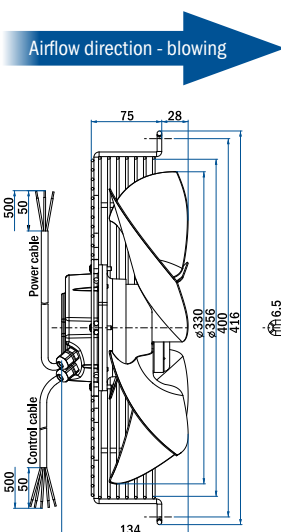
Sound power level:

- measured on pressure side 1m from fan mounted in full bell mouth without guard grill
- measured according to ISO 3741

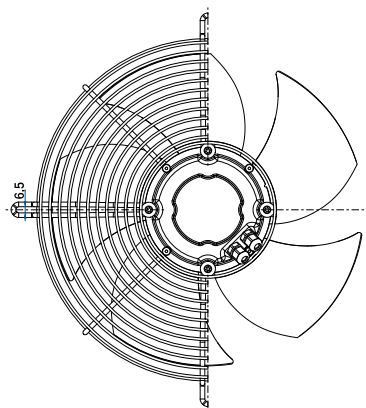
The values given may vary according to actual installation in the unit.

Definition of symbols

- U [V]** Supply voltage
- f [Hz]** Frequency
- n [RPM]** Fan speed
- q_v [m³/h]** Air flow
- p_{sF} [Pa]** Pressure drop
- P_e [W]** Power input
- I [A]** Current
- L_{WA} [dB (A)]** Sound power level A weighted
- T_{a max} [°C]** Max. ambient temperature



Type: R09R-3330HB-ES25C-01A06
 Code: On request
 Weight:



Type: R09P-3330HB-ES25C-01A06
 Code: On request
 Weight:

EC AXIAL FANS

AC AXIAL FANS
SICKLED BLADES

AC AXIAL FANS
PLASTIC BLADES

AC AXIAL FANS
PADDLE BLADES

AC RADIAL FANS
BACKWARD CURVED BLADES

ACCESSORIES

CONNECTION DIAGRAMS

Diameter: **350 mm**

R09_-3530H_-ES25C-01A01



| Nominal data according to standard EN 60335: | |
|--|----------|
| Phase | 1~ |
| Nominal voltage | 230 V |
| Nominal voltage range | 230 V |
| Frequency | 50-60 Hz |
| Input power | 125 W |
| Input current | 0.98 A |
| Nominal speed | 1400 RPM |
| Min. ambient temperature | -25 °C |
| Protection class | IP44 |
| Insulation class | 130 |

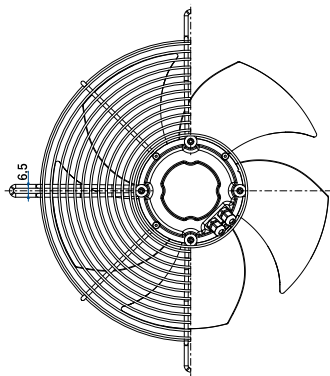
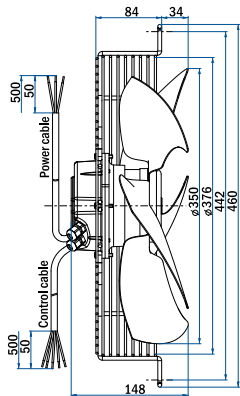
| ErP data according to EU regulation 327/2010: | |
|---|------------------------|
| Overall efficiency | 46.7 % |
| Measurement category | A |
| Efficiency category | static |
| Efficiency grade N | 58.7 |
| Variable speed drive | INTEGRATED |
| Power input | 127 W |
| Air flow | 1860 m ³ /h |
| Pressure drop | 103 Pa |
| Rotational speed | 1393 RPM |
| Specific ratio | 1.00 |

| General notes | |
|------------------------|----------|
| Connection diagram: | Page 144 |
| Accessories | Page 134 |
| Compliant to standards | Page 6 |

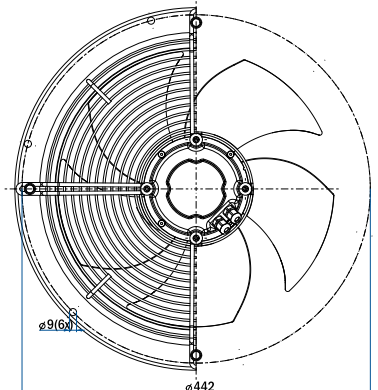
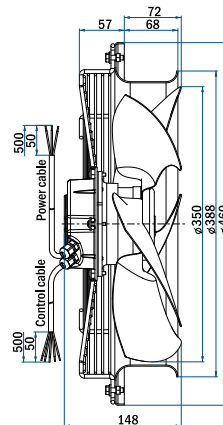
Dimensions and fan ordering information

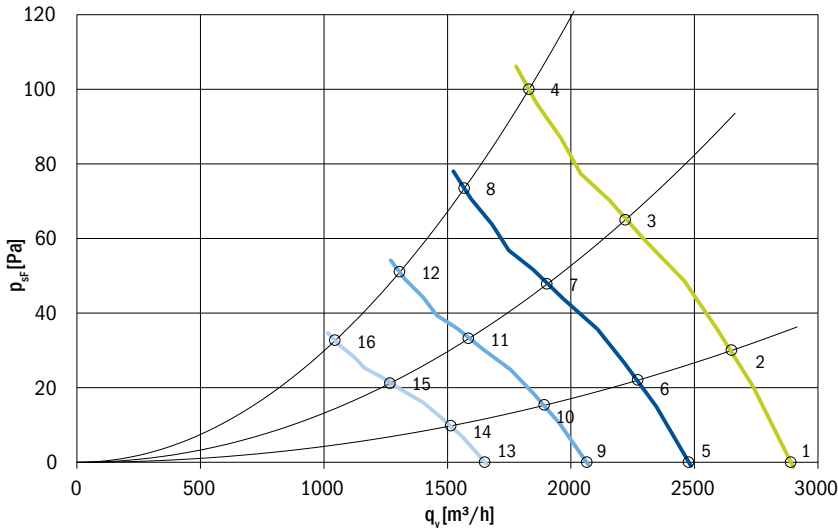


Type: R09R-3530HS-ES25C-01A01
Code: 0309-4-2000
Weight: 3.6 kg



Type: R09P-3530HS-ES25C-01A01
Code: On request
Weight:





Aerodynamic characteristic:

- measured in full bell mouth without guard grill
- installation category A according to ISO 5801

Sound power level:

- measured on pressure side 1m from fan mounted in full bell mouth without guard grill
- measured according to ISO 3741

The values given may vary according to actual installation in the unit.

Definition of symbols

- U [V]** Supply voltage
- f [Hz]** Frequency
- n [RPM]** Fan speed
- q_v [m³/h]** Air flow
- p_{sF} [Pa]** Pressure drop
- P_e [W]** Power input
- I [A]** Current
- L_{WA} [dB (A)]** Sound power level A weighted
- T_{a max} [°C]** Max. ambient temperature

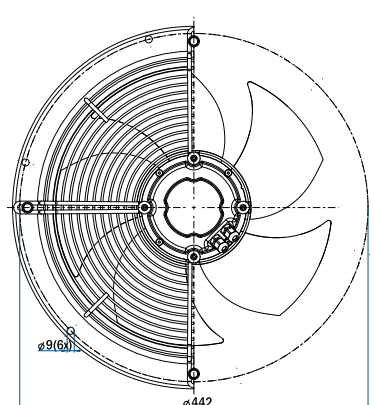
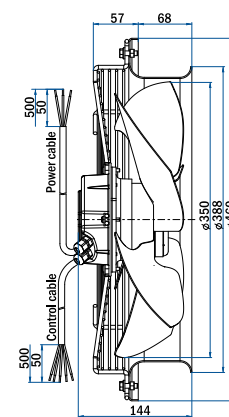
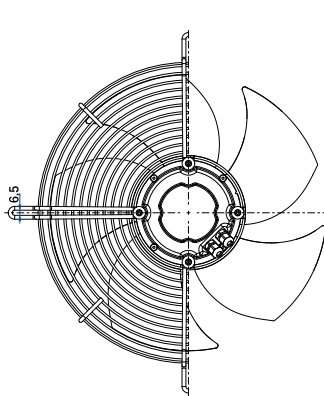
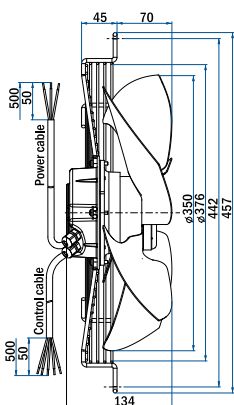
| | U [V] | f [Hz] | n [RPM] | q _v [m³/h] | p _{sF} [Pa] | P _e [W] | I [A] | L _{WA out} [dB (A)] | T _{a max} [°C] |
|----|-------|--------|---------|-----------------------|----------------------|--------------------|-------|------------------------------|-------------------------|
| 1 | 230 | 50 | 1400 | 2890 | 0 | 84 | 0.66 | 70 | 65 |
| 2 | 230 | 50 | 1400 | 2650 | 30 | 103 | 0.79 | 67 | 65 |
| 3 | 230 | 50 | 1400 | 2220 | 65 | 109 | 0.88 | 65 | 65 |
| 4 | 230 | 50 | 1400 | 1830 | 100 | 132 | 1.02 | 67 | 55 |
| 5 | 230 | 50 | 1200 | 2477 | 0 | 56 | 0.45 | 66 | 65 |
| 6 | 230 | 50 | 1200 | 2271 | 22 | 67 | 0.53 | 63 | 65 |
| 7 | 230 | 50 | 1200 | 1903 | 48 | 76 | 0.60 | 62 | 65 |
| 8 | 230 | 50 | 1200 | 1569 | 73 | 88 | 0.68 | 63 | 65 |
| 9 | 230 | 50 | 1000 | 2064 | 0 | 35 | 0.28 | 62 | 65 |
| 10 | 230 | 50 | 1000 | 1893 | 15 | 40 | 0.35 | 58 | 65 |
| 11 | 230 | 50 | 1000 | 1586 | 33 | 44 | 0.37 | 56 | 65 |
| 12 | 230 | 50 | 1000 | 1307 | 51 | 52 | 0.42 | 58 | 65 |
| 13 | 230 | 50 | 800 | 1651 | 0 | 20 | 0.16 | 55 | 65 |
| 14 | 230 | 50 | 800 | 1514 | 10 | 23 | 0.19 | 52 | 65 |
| 15 | 230 | 50 | 800 | 1269 | 21 | 24 | 0.22 | 50 | 65 |
| 16 | 230 | 50 | 800 | 1046 | 33 | 29 | 0.24 | 52 | 65 |



Type: R09R-3530HB-ES25C-01A01
Code: 0309-4-2021
Weight: 3.6 kg



Type: R09P-3530HB-ES25C-01A01
Code: On request
Weight:



EC AXIAL FANS

AC AXIAL FANS
SICKLED BLADES

AC AXIAL FANS
PLASTIC BLADES

AC AXIAL FANS
PADDLE BLADES

AC RADIAL FANS
BACKWARD CURVED BLADES

ACCESSORIES

CONNECTION DIAGRAMS

Diameter: **400 mm**

R10_-40AP_-ES50B-02A01



Nominal data according to standard EN 60335:

| | |
|--------------------------|-----------|
| Phase | 1~ |
| Nominal voltage | 230 V |
| Nominal voltage range | 200-240 V |
| Frequency | 50-60 Hz |
| Input power | 320 W |
| Input current | 2.15 A |
| Nominal speed | 1520 RPM |
| Min. ambient temperature | -25 °C |
| Protection class | IP54 |
| Insulation class | 130 |

ErP data according to EU regulation 327/2010:

| | |
|----------------------|------------------------|
| Overall efficiency | 43.1 % |
| Measurement category | A |
| Efficiency category | static |
| Efficiency grade N | 52.4 |
| Variable speed drive | INTEGRATED |
| Power input | 342 W |
| Air flow | 3069 m ³ /h |
| Pressure drop | 161 Pa |
| Rotational speed | 1504 RPM |
| Specific ratio | 1.00 |

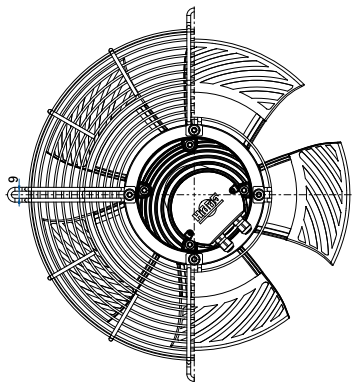
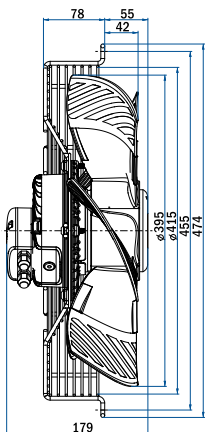
General notes

| | |
|------------------------|----------|
| Connection diagram: | Page 144 |
| Accessories | Page 134 |
| Compliant to standards | Page 6 |

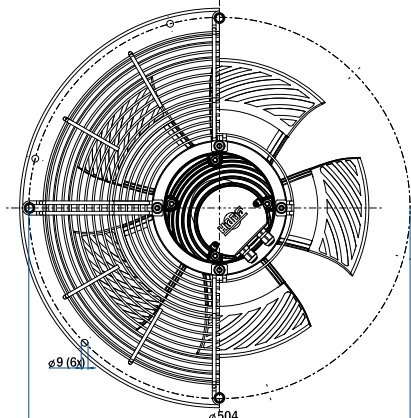
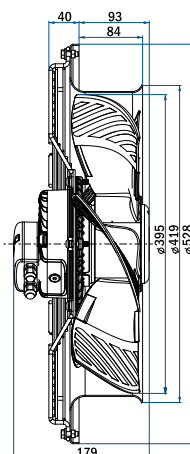
Dimensions and fan ordering information

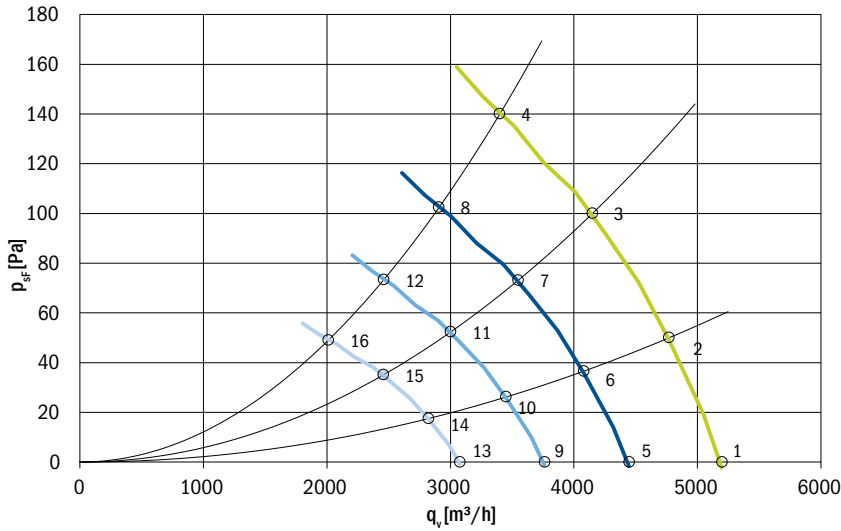


Type: R10R-40APS-ES50B-02A01
Code: 0310-4-0000
Weight: 5.0 kg



Type: R10P-40APS-ES50B-02A01
Code: 0310-4-0025
Weight: 7.5 kg





Aerodynamic characteristic:

- measured in full bell mouth without guard grill
- installation category A according to ISO 5801

Sound power level:

- measured on pressure side 1m from fan mounted in full bell mouth without guard grill
- measured according to ISO 3741

The values given may vary according to actual installation in the unit.

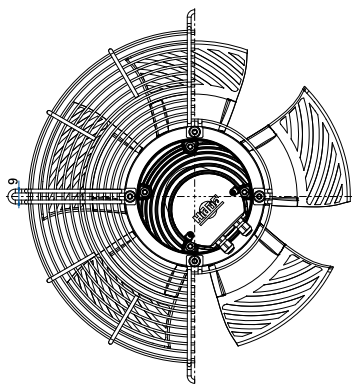
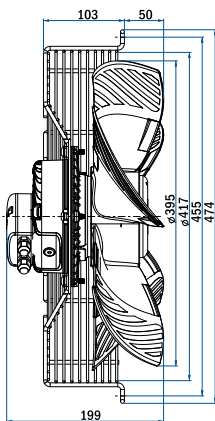
Definition of symbols

- U [V]** Supply voltage
- f [Hz]** Frequency
- n [RPM]** Fan speed
- q_v [m³/h]** Air flow
- p_{sF} [Pa]** Pressure drop
- P_e [W]** Power input
- I [A]** Current
- L_{WA} [dB (A)]** Sound power level A weighted
- T_{a max} [°C]** Max. ambient temperature

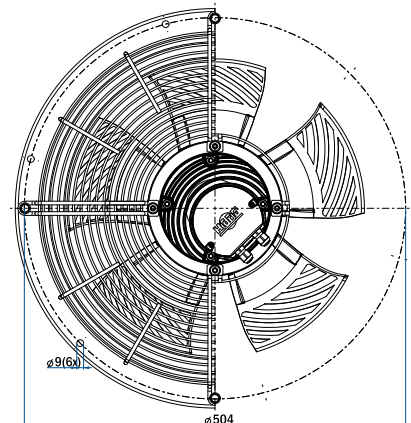
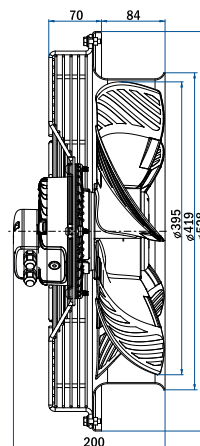
| | U [V] | f [Hz] | n [RPM] | q _v [m³/h] | p _{sF} [Pa] | P _e [W] | I [A] | L _{WA out} [dB (A)] | T _{a max} [°C] |
|----|-------|--------|---------|-----------------------|----------------------|--------------------|-------|------------------------------|-------------------------|
| 1 | 230 | 50 | 1520 | 5200 | 0 | 289 | 1.91 | 74 | 65 |
| 2 | 230 | 50 | 1520 | 4770 | 50 | 316 | 2.05 | 72 | 65 |
| 3 | 230 | 50 | 1520 | 4150 | 100 | 323 | 2.10 | 69 | 65 |
| 4 | 230 | 50 | 1520 | 3400 | 140 | 325 | 2.13 | 70 | 65 |
| 5 | 230 | 50 | 1300 | 4447 | 0 | 181 | 1.21 | 70 | 65 |
| 6 | 230 | 50 | 1300 | 4080 | 37 | 201 | 1.33 | 68 | 65 |
| 7 | 230 | 50 | 1300 | 3549 | 73 | 211 | 1.40 | 65 | 65 |
| 8 | 230 | 50 | 1300 | 2908 | 102 | 213 | 1.42 | 65 | 65 |
| 9 | 230 | 50 | 1100 | 3763 | 0 | 113 | 0.79 | 66 | 65 |
| 10 | 230 | 50 | 1100 | 3452 | 26 | 126 | 0.87 | 64 | 65 |
| 11 | 230 | 50 | 1100 | 3003 | 52 | 130 | 0.90 | 61 | 65 |
| 12 | 230 | 50 | 1100 | 2461 | 73 | 135 | 0.93 | 60 | 65 |
| 13 | 230 | 50 | 900 | 3079 | 0 | 68 | 0.49 | 60 | 65 |
| 14 | 230 | 50 | 900 | 2824 | 18 | 71 | 0.52 | 59 | 65 |
| 15 | 230 | 50 | 900 | 2457 | 35 | 76 | 0.55 | 56 | 65 |
| 16 | 230 | 50 | 900 | 2013 | 49 | 75 | 0.54 | 55 | 65 |



Type: R10R-40APB-ES50B-02A01
Code: 0310-4-0026
Weight: 5.0 kg



Type: R10P-40APB-ES50B-02A01
Code: 0310-4-0027
Weight: 7.5 kg



EC AXIAL FANS

AC AXIAL FANS
SICKLED BLADES

AC AXIAL FANS
PLASTIC BLADES

AC AXIAL FANS
PADDLE BLADES

AC RADIAL FANS
BACKWARD CURVED BLADES

ACCESSORIES

CONNECTION DIAGRAMS

Diameter: **450 mm**

R10_-45AP_-ES50B-04A05



| Nominal data according to standard EN 60335: | |
|---|-----------|
| Phase | 1~ |
| Nominal voltage | 230 V |
| Nominal voltage range | 200-240 V |
| Frequency | 50-60 Hz |
| Input power | 300 W |
| Input current | 2.05 A |
| Nominal speed | 1280 RPM |
| Min. ambient temperature | -25 °C |
| Protection class | IP54 |
| Insulation class | 130 |

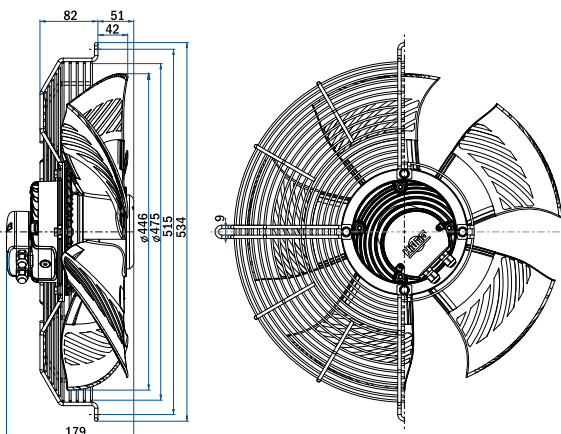
| ErP data according to EU regulation 327/2010: | |
|--|------------------------|
| Overall efficiency | 43.2 % |
| Measurement category | A |
| Efficiency category | static |
| Efficiency grade N | 52.5 |
| Variable speed drive | INTEGRATED |
| Power input | 345 W |
| Air flow | 3966 m ³ /h |
| Pressure drop | 127 Pa |
| Rotational speed | 1287 RPM |
| Specific ratio | 1.00 |

| General notes | |
|------------------------|----------|
| Connection diagram: | Page 144 |
| Accessories | Page 134 |
| Compliant to standards | Page 6 |

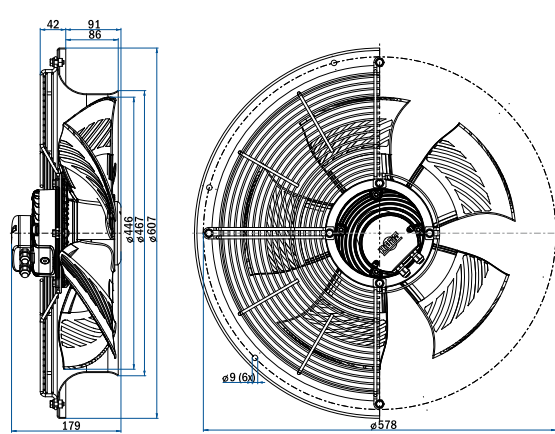
Dimensions and fan ordering information

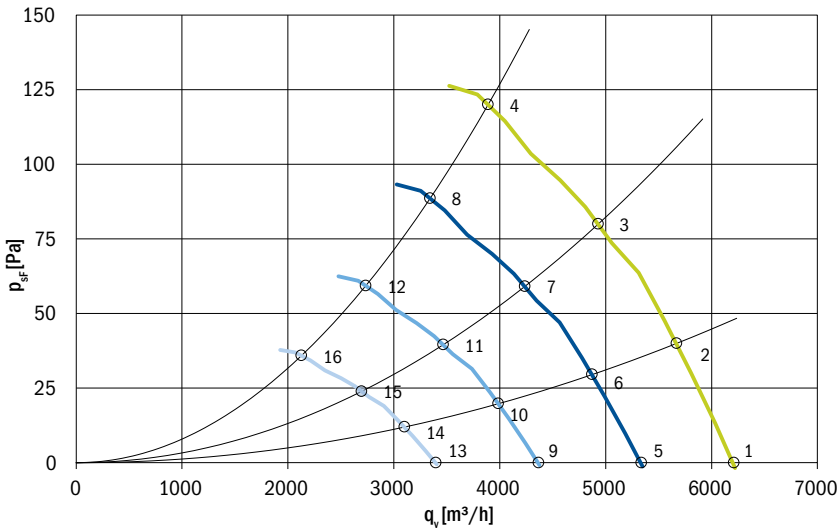


Type: R10R-45APS-ES50B-04A05
Code: 0310-4-0018
Weight: 5.3 kg



Type: R10P-45APS-ES50B-04A05
Code: 0310-4-0028
Weight: 7.8 kg





Aerodynamic characteristic:

- measured in full bell mouth without guard grill
- installation category A according to ISO 5801

Sound power level:

- measured on pressure side 1m from fan mounted in full bell mouth without guard grill
- measured according to ISO 3741

The values given may vary according to actual installation in the unit.

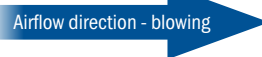
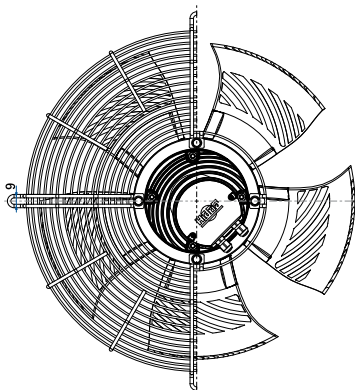
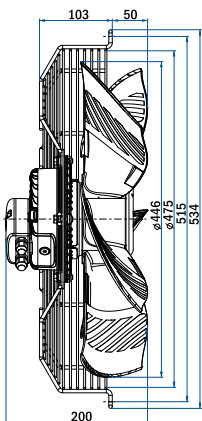
Definition of symbols

- U [V]** Supply voltage
- f [Hz]** Frequency
- n [RPM]** Fan speed
- qv [m³/h]** Air flow
- psF [Pa]** Pressure drop
- Pe [W]** Power input
- I [A]** Current
- LwA [dB (A)]** Sound power level A weighted
- Ta max [°C]** Max. ambient temperature

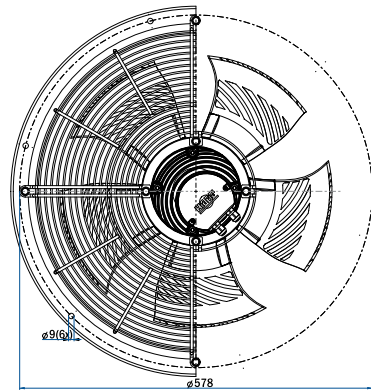
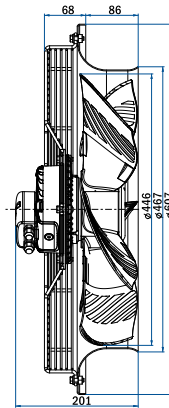
| | U [V] | f [Hz] | n [RPM] | qv [m³/h] | psF [Pa] | Pe [W] | I [A] | LwA out [dB (A)] | Ta max [°C] |
|----|-------|--------|---------|-----------|----------|--------|-------|------------------|-------------|
| 1 | 230 | 50 | 1280 | 6210 | 0 | 251 | 1.67 | 69 | 60 |
| 2 | 230 | 50 | 1280 | 5670 | 40 | 287 | 1.88 | 68 | 60 |
| 3 | 230 | 50 | 1280 | 4930 | 80 | 303 | 2.00 | 67 | 60 |
| 4 | 230 | 50 | 1280 | 3890 | 120 | 321 | 2.07 | 68 | 60 |
| 5 | 230 | 50 | 1100 | 5337 | 0 | 163 | 1.10 | 65 | 60 |
| 6 | 230 | 50 | 1100 | 4873 | 30 | 183 | 1.22 | 63 | 60 |
| 7 | 230 | 50 | 1100 | 4237 | 59 | 200 | 1.32 | 63 | 60 |
| 8 | 230 | 50 | 1100 | 3343 | 89 | 209 | 1.38 | 64 | 60 |
| 9 | 230 | 50 | 900 | 4366 | 0 | 92.4 | 0.66 | 60 | 60 |
| 10 | 230 | 50 | 900 | 3987 | 20 | 103 | 0.73 | 59 | 60 |
| 11 | 230 | 50 | 900 | 3466 | 40 | 113 | 0.79 | 58 | 60 |
| 12 | 230 | 50 | 900 | 2735 | 59 | 115 | 0.81 | 59 | 60 |
| 13 | 230 | 50 | 700 | 3396 | 0 | 47 | 0.37 | 54 | 60 |
| 14 | 230 | 50 | 700 | 3101 | 12 | 52 | 0.40 | 53 | 60 |
| 15 | 230 | 50 | 700 | 2696 | 24 | 56 | 0.43 | 52 | 60 |
| 16 | 230 | 50 | 700 | 2127 | 36 | 57 | 0.43 | 52 | 60 |



Type: R10R-45APB-ES50B-04A05
Code: 0310-4-0029
Weight: 5.3 kg



Type: R10P-45APB-ES50B-04A05
Code: 0310-4-0030
Weight: 7.8 kg



EC AXIAL FANS

AC AXIAL FANS
SICKLED BLADES

AC AXIAL FANS
PLASTIC BLADES

AC AXIAL FANS
PADDLE BLADES

AC RADIAL FANS
BACKWARD CURVED BLADES

ACCESSORIES

CONNECTION DIAGRAMS

Diameter: **500 mm**

R10_-50LP_-ES50B-04A05



| Nominal data according to standard EN 60335: | |
|---|-----------|
| Phase | 1~ |
| Nominal voltage | 230 V |
| Nominal voltage range | 200-240 V |
| Frequency | 50-60 Hz |
| Input power | 300 W |
| Input current | 2.05 A |
| Nominal speed | 1280 RPM |
| Min. ambient temperature | -25 °C |
| Protection class | IP54 |
| Insulation class | 130 |

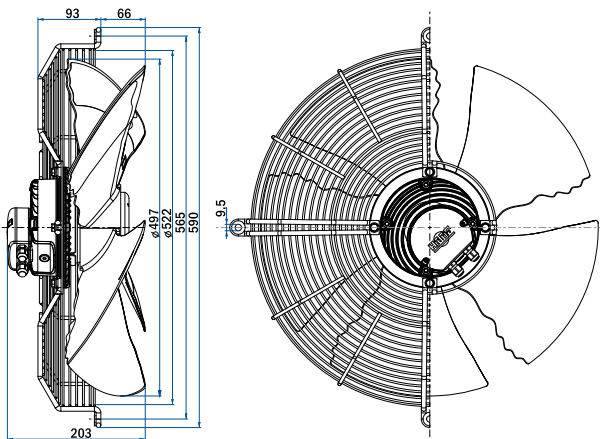
| ErP data according to EU regulation 327/2010: | |
|--|------------------------|
| Overall efficiency | 49.4 % |
| Measurement category | A |
| Efficiency category | static |
| Efficiency grade N | 58.7 |
| Variable speed drive | INTEGRATED |
| Power input | 340 W |
| Air flow | 4750 m ³ /h |
| Pressure drop | 121 Pa |
| Rotational speed | 1278 RPM |
| Specific ratio | 1.00 |

| General notes | |
|------------------------|----------|
| Connection diagram: | Page 144 |
| Accessories | Page 134 |
| Compliant to standards | Page 6 |

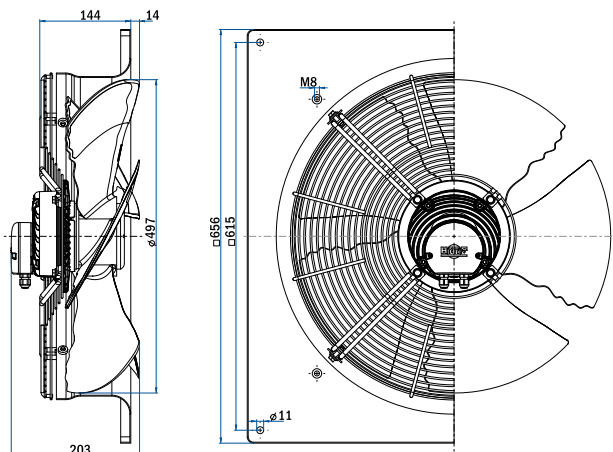
Dimensions and fan ordering information

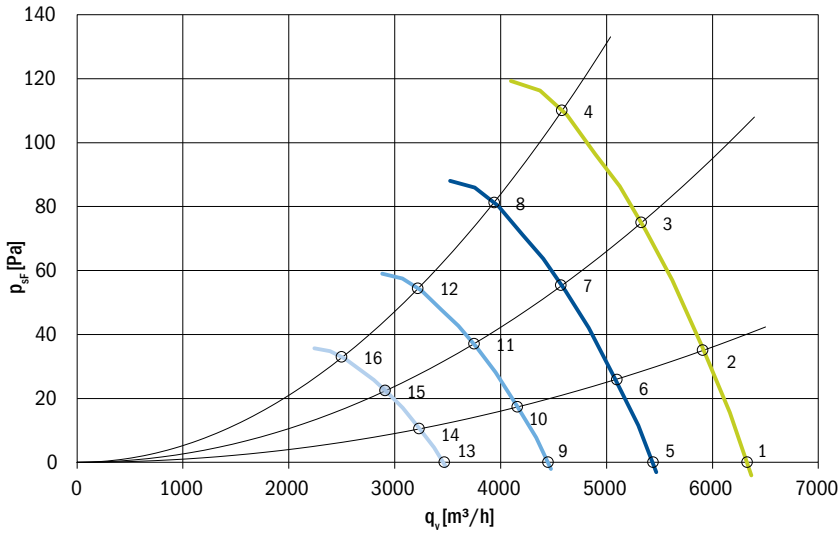


Type: R10R-50LPS-ES50B-04A05
Code: 0310-4-0022
Weight: 5.8 kg



Type: R10P-50LPS-ES50B-04A05
Code: 0310-4-0009
Weight: 11.3 kg





| | U [V] | f [Hz] | n [RPM] | q _v [m ³ /h] | p _{sF} [Pa] | P _e [W] | I [A] | L _{WA} out [dB (A)] | T _a max [°C] |
|----|-------|--------|---------|------------------------------------|----------------------|--------------------|-------|------------------------------|-------------------------|
| 1 | 230 | 50 | 1280 | 6330 | 0 | 206 | 1.39 | 70 | 65 |
| 2 | 230 | 50 | 1280 | 5910 | 35 | 245 | 1.64 | 70 | 65 |
| 3 | 230 | 50 | 1280 | 5330 | 75 | 296 | 1.97 | 70 | 65 |
| 4 | 230 | 50 | 1280 | 4580 | 110 | 326 | 2.16 | 73 | 65 |
| 5 | 230 | 50 | 1100 | 5440 | 0 | 135 | 0.94 | 66 | 65 |
| 6 | 230 | 50 | 1100 | 5100 | 26 | 165 | 1.13 | 67 | 65 |
| 7 | 230 | 50 | 1100 | 4570 | 55 | 195 | 1.33 | 66 | 65 |
| 8 | 230 | 50 | 1100 | 3940 | 81 | 212 | 1.42 | 69 | 65 |
| 9 | 230 | 50 | 900 | 4450 | 0 | 81 | 0.59 | 61 | 65 |
| 10 | 230 | 50 | 900 | 4160 | 17 | 92 | 0.66 | 61 | 65 |
| 11 | 230 | 50 | 900 | 3750 | 37 | 110 | 0.78 | 60 | 65 |
| 12 | 230 | 50 | 900 | 3220 | 54 | 122 | 0.85 | 63 | 65 |
| 13 | 230 | 50 | 700 | 3470 | 0 | 43 | 0.34 | 55 | 65 |
| 14 | 230 | 50 | 700 | 3230 | 10 | 49 | 0.38 | 54 | 65 |
| 15 | 230 | 50 | 700 | 2910 | 22 | 56 | 0.42 | 54 | 65 |
| 16 | 230 | 50 | 700 | 2500 | 33 | 64 | 0.47 | 57 | 65 |

Aerodynamic characteristic:

- measured in full bell mouth without guard grill
- installation category A according to ISO 5801

Sound power level:

- measured on pressure side 1m from fan mounted in full bell mouth without guard grill
- measured according to ISO 3741

The values given may vary according to actual installation in the unit.

Definition of symbols

- U [V]** Supply voltage
- f [Hz]** Frequency
- n [RPM]** Fan speed
- q_v [m³/h]** Air flow
- p_{sF} [Pa]** Pressure drop
- P_e [W]** Power input
- I [A]** Current
- L_{WA} [dB (A)]** Sound power level A weighted
- T_a max [°C]** Max. ambient temperature

EC AXIAL FANS

AC AXIAL FANS
SICKLED BLADES

AC AXIAL FANS
PLASTIC BLADES

AC AXIAL FANS
PADDLE BLADES

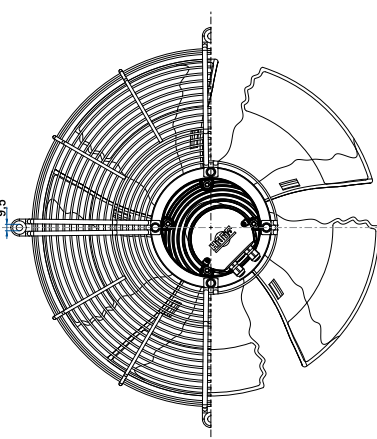
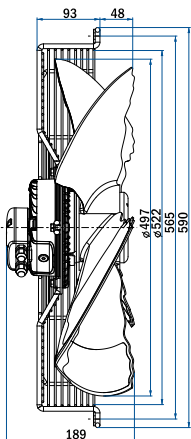
AC RADIAL FANS
BACKWARD CURVED BLADES

ACCESSORIES

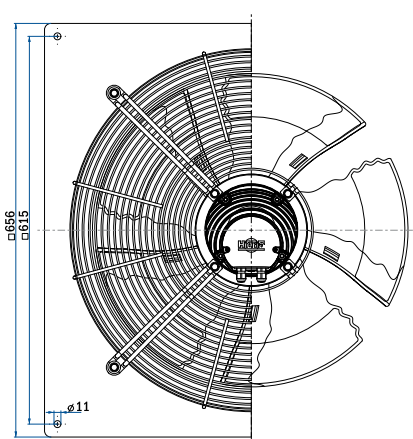
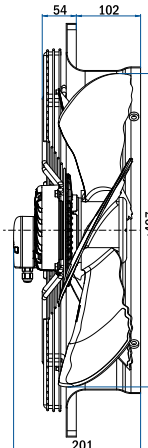
CONNECTION DIAGRAMS



Type: R10R-50LPB-ES50B-04A05
Code: 0310-4-0023
Weight: 5.8 kg



Type: R10P-50LPB-ES50B-04A05
Code: 0310-4-0024
Weight: 11.3 kg



Diameter: **560 mm**

R10_-56LP_-ES50B-04A10



| Nominal data according to standard EN 60335: | |
|--|-----------|
| Phase | 1~ |
| Nominal voltage | 230 V |
| Nominal voltage range | 200-240 V |
| Frequency | 50-60 Hz |
| Input power | 240 W |
| Input current | 1.68 A |
| Nominal speed | 950 RPM |
| Min. ambient temperature | -25 °C |
| Protection class | IP54 |
| Insulation class | 130 |

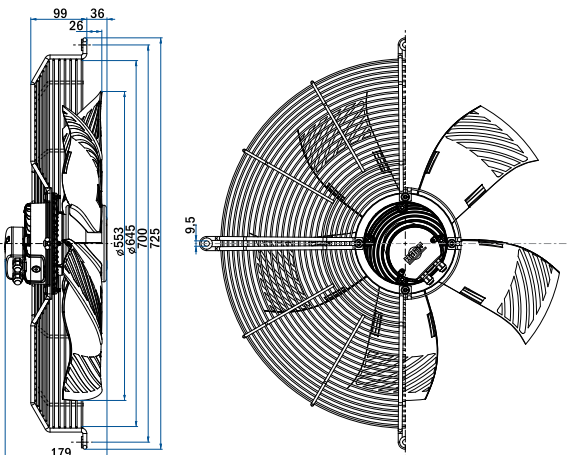
| ErP data according to EU regulation 327/2010: | |
|---|------------------------|
| Overall efficiency | 45.0 % |
| Measurement category | A |
| Efficiency category | static |
| Efficiency grade N | 54.9 |
| Variable speed drive | INTEGRATED |
| Power input | 280 W |
| Air flow | 5269 m ³ /h |
| Pressure drop | 80 Pa |
| Rotational speed | 953 RPM |
| Specific ratio | 1.00 |

| General notes | |
|------------------------|----------|
| Connection diagram: | Page 144 |
| Accessories | Page 134 |
| Compliant to standards | Page 6 |

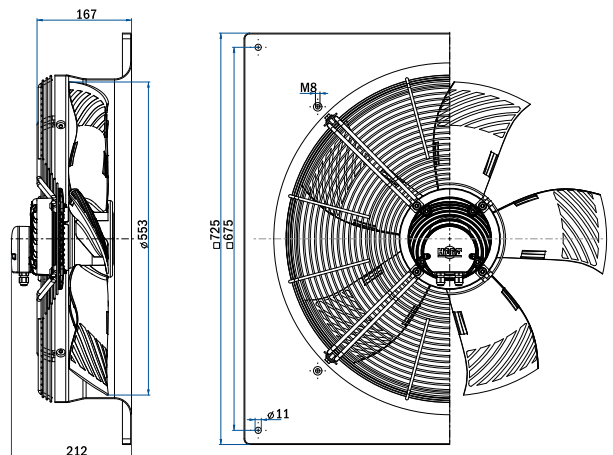
Dimensions and fan ordering information

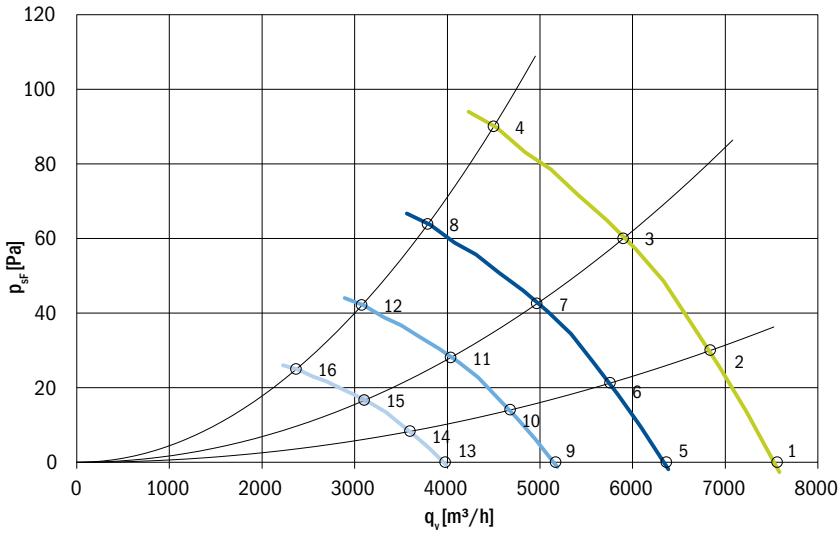


Type: R10R-56LPS-ES50B-04A10
Code: 0310-4-0031
Weight: 6.0 kg



Type: R10P-56LPS-ES50B-04A10
Code: 0310-4-0020
Weight: 13.7 kg





Aerodynamic characteristic:

- measured in full bell mouth without guard grill
- installation category A according to ISO 5801

Sound power level:

- measured on pressure side 1m from fan mounted in full bell mouth without guard grill
- measured according to ISO 3741

The values given may vary according to actual installation in the unit.

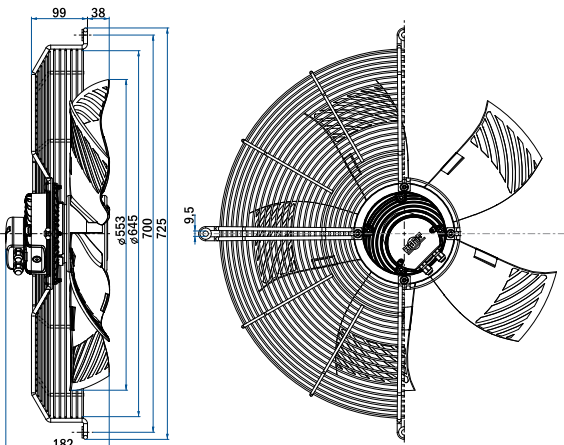
Definition of symbols

- U [V]** Supply voltage
- f [Hz]** Frequency
- n [RPM]** Fan speed
- q_v [m³/h]** Air flow
- p_{sF} [Pa]** Pressure drop
- P_e [W]** Power input
- I [A]** Current
- L_{WA} [dB (A)]** Sound power level A weighted
- T_{a max} [°C]** Max. ambient temperature

| | U [V] | f [Hz] | n [RPM] | q _v [m ³ /h] | p _{sF} [Pa] | P _e [W] | I [A] | L _{WA out} [dB (A)] | T _{a max} [°C] |
|----|-------|--------|---------|------------------------------------|----------------------|--------------------|-------|------------------------------|-------------------------|
| 1 | 230 | 50 | 950 | 7560 | 0 | 188 | 1.28 | 70 | 65 |
| 2 | 230 | 50 | 950 | 6840 | 30 | 219 | 1.48 | 69 | 65 |
| 3 | 230 | 50 | 950 | 5900 | 60 | 251 | 1.68 | 66 | 65 |
| 4 | 230 | 50 | 950 | 4500 | 90 | 272 | 1.82 | 66 | 65 |
| 5 | 230 | 50 | 800 | 6366 | 0 | 113 | 0.80 | 66 | 65 |
| 6 | 230 | 50 | 800 | 5760 | 21 | 134 | 0.93 | 65 | 65 |
| 7 | 230 | 50 | 800 | 4968 | 43 | 151 | 1.04 | 62 | 65 |
| 8 | 230 | 50 | 800 | 3789 | 64 | 162 | 1.11 | 62 | 65 |
| 9 | 230 | 50 | 650 | 5173 | 0 | 62 | 0.47 | 61 | 65 |
| 10 | 230 | 50 | 650 | 4680 | 14 | 74 | 0.54 | 60 | 65 |
| 11 | 230 | 50 | 650 | 4037 | 28 | 82 | 0.60 | 57 | 65 |
| 12 | 230 | 50 | 650 | 3079 | 42 | 88 | 0.64 | 56 | 65 |
| 13 | 230 | 50 | 500 | 3979 | 0 | 31 | 0.26 | 54 | 65 |
| 14 | 230 | 50 | 500 | 3600 | 8 | 36 | 0.29 | 53 | 65 |
| 15 | 230 | 50 | 500 | 3105 | 17 | 41 | 0.32 | 51 | 65 |
| 16 | 230 | 50 | 500 | 2368 | 25 | 44 | 0.35 | 49 | 65 |

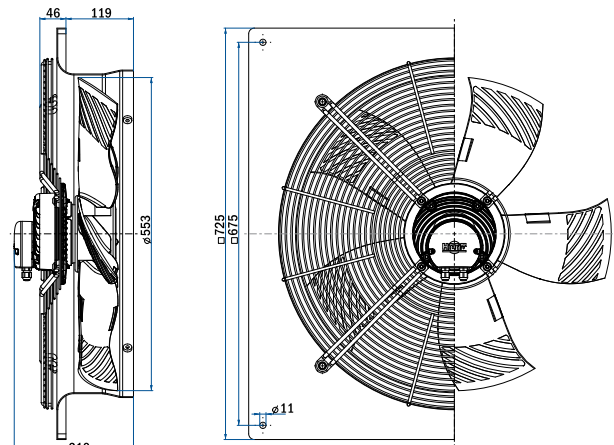
Airflow direction - blowing

Type: R10R-56LPB-ES50B-04A10
Code: 0310-4-0032
Weight: 6.0 kg



Airflow direction - blowing

Type: R10P-56LPB-ES50B-04A10
Code: 0310-4-0033
Weight: 13.7 kg



EC AXIAL FANS

AC AXIAL FANS
SICKLED BLADES

AC AXIAL FANS
PLASTIC BLADES

AC AXIAL FANS
PADDLE BLADES

AC RADIAL FANS
BACKWARD CURVED BLADES

ACCESSORIES

CONNECTION DIAGRAMS

Diameter: **630 mm**

R10_-63LP_-ES50B-03A11



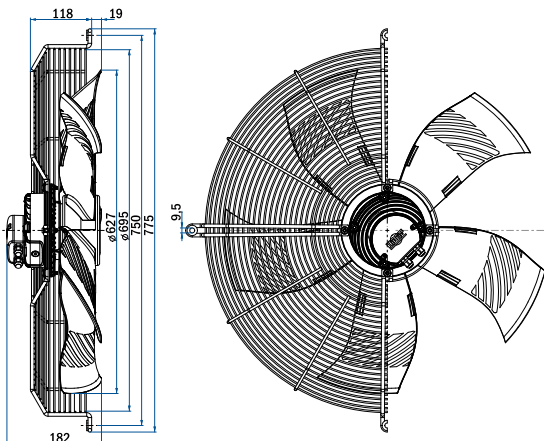
| Nominal data according to standard EN 60335: | |
|--|-----------|
| Phase | 1~ |
| Nominal voltage | 230 V |
| Nominal voltage range | 200-240 V |
| Frequency | 50-60 Hz |
| Input power | 250 W |
| Input current | 1.65 A |
| Nominal speed | 770 RPM |
| Min. ambient temperature | -25 °C |
| Protection class | IP54 |
| Insulation class | 130 |

| ErP data according to EU regulation 327/2010: | |
|---|------------------------|
| Overall efficiency | 40.4 % |
| Measurement category | A |
| Efficiency category | static |
| Efficiency grade N | 50.3 |
| Variable speed drive | INTEGRATED |
| Power input | 270 W |
| Air flow | 5787 m ³ /h |
| Pressure drop | 62 Pa |
| Rotational speed | 760 RPM |
| Specific ratio | 1.00 |

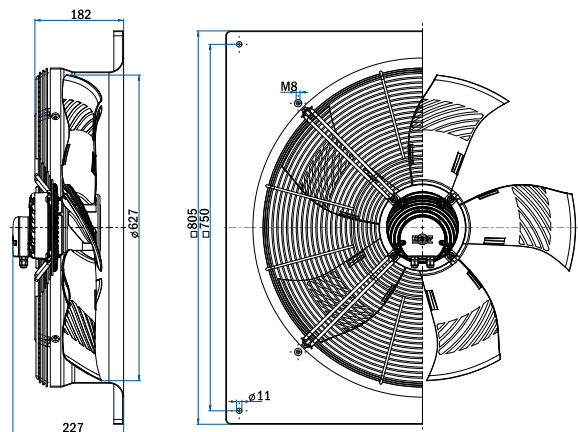
| General notes | |
|------------------------|----------|
| Connection diagram: | Page 144 |
| Accessories | Page 134 |
| Compliant to standards | Page 6 |

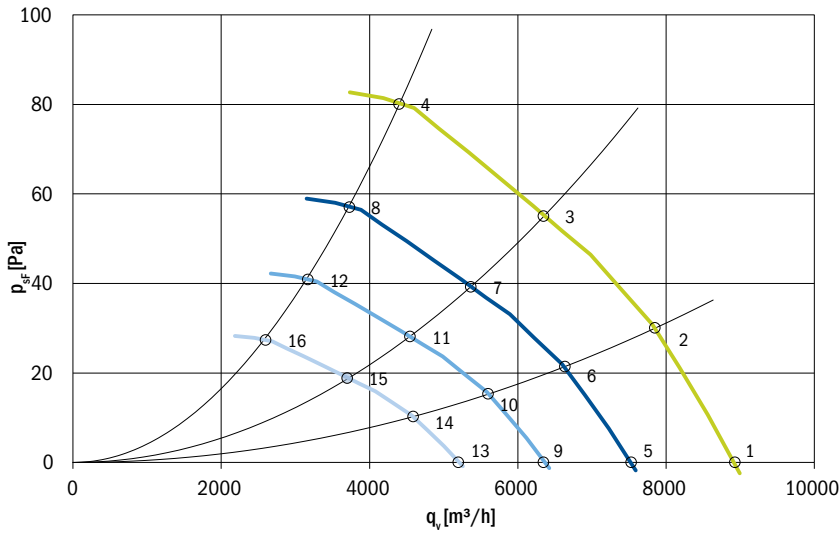
Dimensions and fan ordering information

Airflow direction - sucking ←
 Type: R10R-63LPS-ES50B-03A11
 Code: 0310-4-0013
 Weight: 6.4 kg



Airflow direction - sucking ←
 Type: R10P-63LPS-ES50B-03A11
 Code: 0310-4-0010
 Weight: 15.2 kg





Aerodynamic characteristic:

- measured in full bell mouth without guard grill
- installation category A according to ISO 5801

Sound power level:

- measured on pressure side 1m from fan mounted in full bell mouth without guard grill
- measured according to ISO 3741

The values given may vary according to actual installation in the unit.

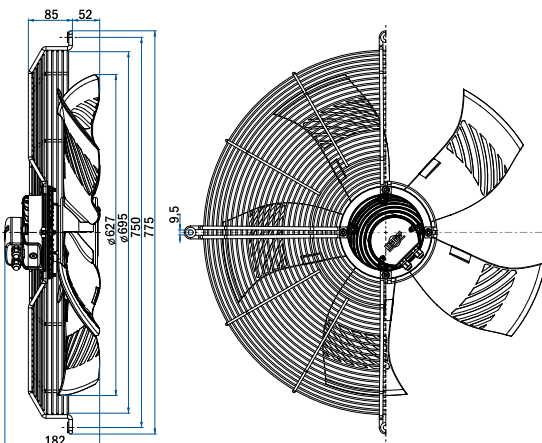
Definition of symbols

- U [V]** Supply voltage
- f [Hz]** Frequency
- n [RPM]** Fan speed
- q_v [m³/h]** Air flow
- p_{sF} [Pa]** Pressure drop
- P_e [W]** Power input
- I [A]** Current
- L_{WA} [dB (A)]** Sound power level A weighted
- T_{a max} [°C]** Max. ambient temperature

| | U [V] | f [Hz] | n [RPM] | q _v [m³/h] | p _{sF} [Pa] | P _e [W] | I [A] | L _{WA out} [dB (A)] | T _{a max} [°C] |
|----|-------|--------|---------|-----------------------|----------------------|--------------------|-------|------------------------------|-------------------------|
| 1 | 230 | 50 | 770 | 8930 | 0 | 201 | 1.36 | 67 | 65 |
| 2 | 230 | 50 | 770 | 7850 | 30 | 240 | 1.61 | 65 | 65 |
| 3 | 230 | 50 | 770 | 6350 | 55 | 266 | 1.78 | 64 | 50 |
| 4 | 230 | 50 | 770 | 4400 | 80 | 274 | 1.82 | 71 | 65 |
| 5 | 230 | 50 | 650 | 7530 | 0 | 115 | 0.81 | 62 | 65 |
| 6 | 230 | 50 | 650 | 6640 | 21 | 136 | 0.95 | 60 | 65 |
| 7 | 230 | 50 | 650 | 5370 | 39 | 155 | 1.06 | 60 | 65 |
| 8 | 230 | 50 | 650 | 3730 | 57 | 146 | 1.02 | 67 | 65 |
| 9 | 230 | 50 | 550 | 6350 | 0 | 71 | 0.53 | 57 | 65 |
| 10 | 230 | 50 | 550 | 5600 | 15 | 82 | 0.60 | 56 | 65 |
| 11 | 230 | 50 | 550 | 4550 | 28 | 94 | 0.68 | 56 | 65 |
| 12 | 230 | 50 | 550 | 3170 | 41 | 89 | 0.65 | 62 | 65 |
| 13 | 230 | 50 | 450 | 5200 | 0 | 40 | 0.31 | 51 | 65 |
| 14 | 230 | 50 | 450 | 4590 | 10 | 46 | 0.35 | 51 | 65 |
| 15 | 230 | 50 | 450 | 3700 | 19 | 52 | 0.40 | 51 | 65 |
| 16 | 230 | 50 | 450 | 2600 | 27 | 50 | 0.39 | 57 | 65 |

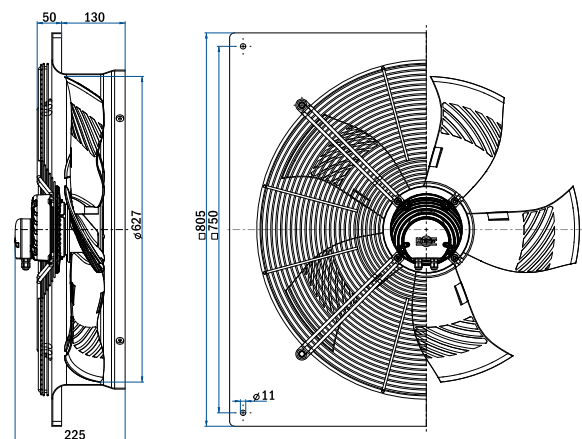
Airflow direction - blowing

Type: R10R-63LPB-ES50B-03A11
Code: 0310-4-0034
Weight: 6.4 kg



Airflow direction - blowing

Type: R10P-63LPB-ES50B-03A11
Code: 0310-4-0035
Weight: 15.2 kg



EC AXIAL FANS

AC AXIAL FANS
SICKLED BLADES

AC AXIAL FANS
PLASTIC BLADES

AC AXIAL FANS
PADDLE BLADES

AC RADIAL FANS
BACKWARD CURVED BLADES

ACCESSORIES

CONNECTION DIAGRAMS

02

AC Axial fans - Sickled blades



EC AXIAL FANS

AC AXIAL FANS
SICKLED BLADES

AC AXIAL FANS
PLASTIC BLADES

AC AXIAL FANS
PADDLE BLADES

AC RADIAL FANS
BACKWARD CURVED BLADES

ACCESSORIES

CONNECTION DIAGRAM

AC axial & radial fans

■ Electrical connection and motor

AC Axial and radial fans are driven by single phase or three-phase AC (Alternating Current) external rotor induction motors. The motors are integrated into the fan hub.

The rated voltage for a three-phase power supply is 400 V and for single-phase AC motors it is 230 V.

The single phase or three-phase AC motors are suitable for 400 V $\pm 10\%$ or 230 V $\pm 10\%$, as well as 50/60 Hz. All other voltage types are available as customized solutions.

■ Motor connection

Mains connection is made via terminal box or outgoing connection cable as shown in dimensional drawings.

■ Terminal box and connection cable

Terminal boxes are made of shock-proof and weather-resistant plastics.

Heat and UV resistant halogen-free hose cables are used, marked by a color code or connection designations as labeled on to terminal block.

The cable construction complies with VDE 0282 Part 804 and is suitable for operating voltages of up to 400 V for single phase products and 690 V for tri phase products.

■ Speed controls

Hidria AC fans are suitable for operation with or without one of the Variable Speed Drive (VSD) units such as frequency converter, triac controller, soft start or autotransformer. When VSD is in use, special caution need to be taken to verify that temperature rise is in line with motor insulation class (B or H) limits and that EMC requirements of final appliance are met.

It is recommended to use Sine Wave Filter attached between frequency converter and AC fan in order to assure the best acoustic and lifetime performance of the fan. Please follow the safety, installation

and maintenance instructions of used VSD when applied to Hidria fans.

■ Installation and usage information

For the installation, maintenance and safe usage of AC axial fans, please refer to user manual.

■ Materials and corrosion protection

Hidria AC Axial fan impellers are made of high-performance PA composite material, aluminum or steel. The impeller is pressed onto the rotor. Some axial fans have stamped steel or aluminum panel blades. This type of blades are riveted or screwed onto the rotors of the external rotor motor. The rotor and stator flange are made of hi-pressure die-casted seawater resistant aluminum alloys.

The fan nozzles are made of steel sheet and coated to meet resistance to corrosion as set by ISO 12944-2 class C3 (medium). Additional coating on request and at supplementary cost. The wire protection grills have a weather resistant plastic coating.

■ Operating conditions and product life

Safety

The fans may only be operated when they are installed as intended and when safety is ensured by safety equipment according to DIN EN 294 resp. ISO13852 (DIN EN ISO 12100) or by other protection measures.

Safety approvals

Depending on the product, Hidria fans comply with the one or more of the following standards: EN 60335-1, EN 61800-5-1 and EN 60034-1. The majority of the fans can be supplied in CE, UL/CSA, CCC and/or GOST approved design.

Condensation drain holes

Axial and radial fans are intended to be installed with rotor in horizontal position or with rotor at the bottom of the fan (connection box or cables on the top). The

lower of the condensation drain hole must be open when the fan is installed with the rotor at the bottom. With horizontal mounting position condensate can escape via the gap between stator and rotor. Installation with rotor at the top (connection box or cables at the bottom) is available only on request.

Operating mode

Continuous operation (S1).

Resistance to water, dust and moisture

Majority of axial fans are resistant to presence of water, dust and moisture as defined by class IP44 or IP 54 (IEC 60529, IEC60034, IEC60335).

Ambient conditions

If not instructed differently the fans can be subjected to the following conditions:

- Placed outdoors (rain, snow, UV radiation).
- Working ambient temperatures between -30°C and $+70^{\circ}\text{C}$.
- Storage temperatures -40°C to $+80^{\circ}\text{C}$.

Product life

By utilizing lifetime maintenance free bearings, our axial fans are maintenance free for the entire life time of approximately 30-40.000 hours for standard applications and environmental conditions.

Contact protection

The preferred "protective construction" used on axial fans is a guard grille. Depending on the airflow direction, the guard grille is located on the intake or pressure side of the fan.

The "Accessories" section contains separate guard grilles, which can be positioned on the pressure or intake side of the fan as required and depending on the installation situation, to meet the safety requirements set out in DIN EN ISO 13857, defining safety distance requirements to prevent upper limbs from getting into hazardous areas.

The guard grille results in a resistance to the conveyed airflow, which manifests itself in the pressure loss.

Axial fans with induction (AC) motors and sickled blades



Stamped steel blades (type 18H, 30H)
Diameters: 300-350 mm



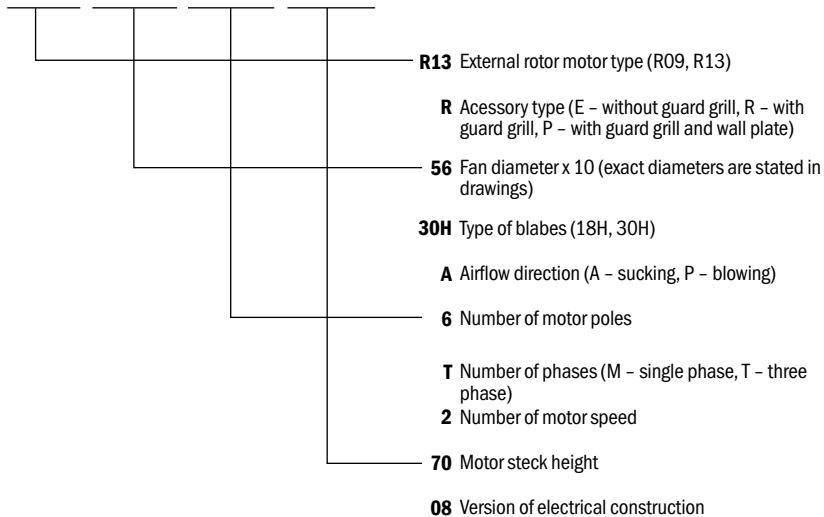
Stamped aluminium blades (type 30H)
Diameters: 450-630 mm



Die-cast aluminium blades (30H)
Diameters: 630-800 mm

Example of type key:

R13R-5630HA-6T2-7008



Diameter:

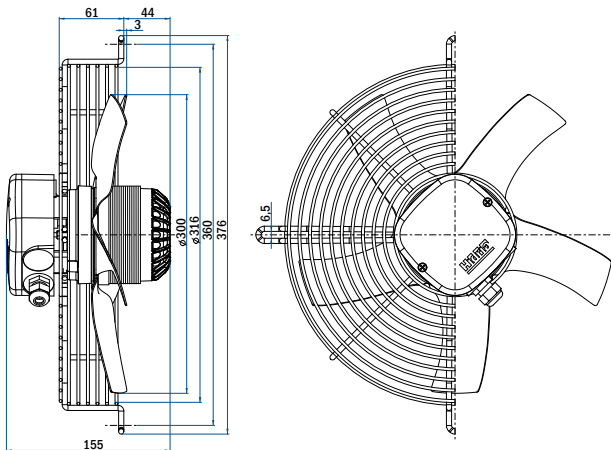
300 mm

R09_-3018H_-2M-4248



Fan with guard grill

| Airflow Direction | Type | Code | Weight (kg) |
|-------------------|---------------------|-------------|-------------|
| Sucking | R09R-3018HA-2M-4248 | 0309-4-1093 | 3.5 |
| Blowing | R09R-3018HP-2M-4248 | 0309-4-1094 | |



Fan with plate

| Airflow Direction | Type | Code | Weight (kg) |
|-------------------|---------------------|------------|-------------|
| Sucking | R09P-3018HA-2M-4248 | On request | |
| Blowing | R09P-3018HP-2M-4248 | On request | |

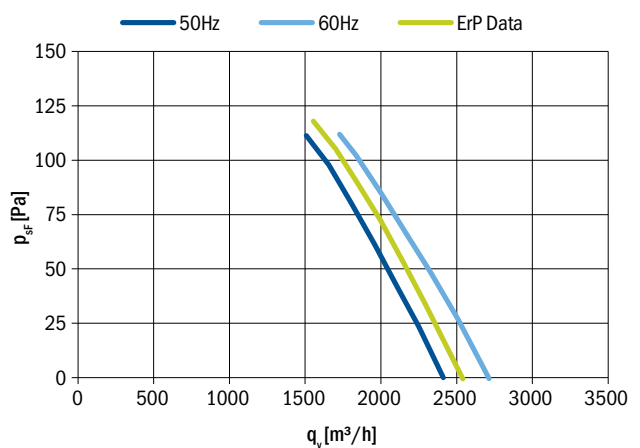
Fan without guard grill

| Airflow Direction | Type | Code | Weight (kg) |
|-------------------|---------------------|------------|-------------|
| Sucking | R09E-3018HA-2M-4248 | On request | |
| Blowing | R09E-3018HP-2M-4248 | On request | |

| Nominal data according to standard EN 60335: | |
|--|---------------|
| Phase | 1~ |
| Nominal voltage | 230 V |
| Frequency | 50/60 Hz |
| Rated power input | 140/190 W |
| Rated current | 0.62/0.83 A |
| Rated speed | 2590/2700 RPM |
| Min. ambient temperature | -30 °C |
| Max. ambient temperature | 55/40 °C |
| Sound power level A weighted | 83/87 dB (A) |
| Condensator | 5 µF/450 V |
| Connection | terminal box |
| Insulation class | 155 |
| Protection class | IP54 |

| ErP data according to EU regulation 327/2011: | |
|---|-----------|
| Overall efficiency | 29.0 % |
| Measurement category | A |
| Efficiency category | static |
| Efficiency grade N | 40.2 |
| Variable speed drive | NO |
| Power input | 169 W |
| Air flow | 1553 m³/h |
| Pressure drop | 118 Pa |
| Speed | 2585 RPM |
| Specific ratio | 1.00 |

Aerodynamic characteristic



Fan characteristic measured in full bell mouth with guard grill
ErP characteristic measured in full bell mouth without guard grill

| General notes | | |
|-----------------------------|-------------|----------|
| Connection diagram: Sucking | 0301-1-0043 | Page 145 |
| Blowing | 0301-1-0044 | |
| Accessories | | Page 134 |
| Compliant to standards | | Page 28 |

R09_-3030H_-4M-2543

Diameter:

300 mm

Nominal data according to standard EN 60335:

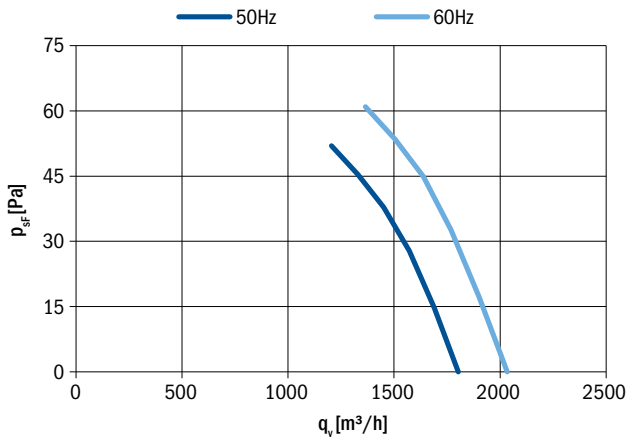
| | |
|------------------------------|---------------|
| Phase | 1~ |
| Nominal voltage | 230 V |
| Frequency | 50/60 Hz |
| Rated power input | 65/90 W |
| Rated current | 0.30/0.40 A |
| Rated speed | 1400/1500 RPM |
| Min. ambient temperature | -30 °C |
| Max. ambient temperature | 70 °C |
| Sound power level A weighted | 66/71 dB (A) |
| Condensator | 2 µF/450 V |
| Connection | terminal box |
| Insulation class | 155 |
| Protection class | IP54 |

ErP data according to EU regulation 327/2011:

Is not subject to the EU regulation 327/2011.

Power input lower than 125 W.

Aerodynamic characteristic

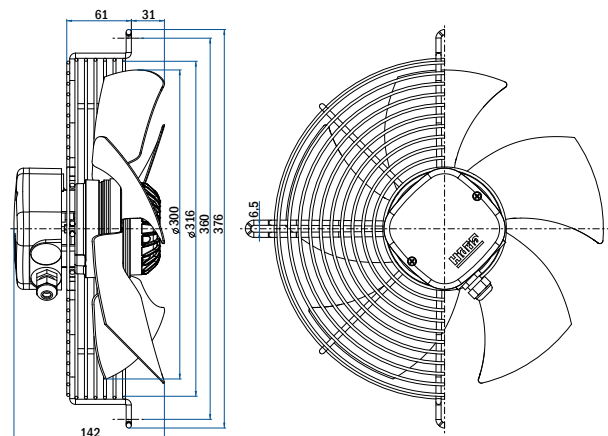


Fan characteristic measured in full bell mouth with guard grill



Fan with guard grill

| Airflow Direction | Type | Code | Weight (kg) |
|-------------------|---------------------|-------------|-------------|
| Sucking | R09R-3030HA-4M-2543 | 0309-4-1112 | 3.0 |
| Blowing | R09R-3030HP-4M-2543 | 0309-4-1050 | |



Fan with plate

| Airflow Direction | Type | Code | Weight (kg) |
|-------------------|---------------------|-------------|-------------|
| Sucking | R09P-3030HA-4M-2543 | 0309-4-1025 | 4.5 |
| Blowing | R09P-3030HP-4M-2543 | 0309-4-1078 | |

Fan without guard grill

| Airflow Direction | Type | Code | Weight (kg) |
|-------------------|---------------------|------------|-------------|
| Sucking | R09E-3030HA-4M-2543 | On request | |
| Blowing | R09E-3030HP-4M-2543 | On request | |

General notes

| | | |
|-----------------------------|-------------|----------|
| Connection diagram: Sucking | 0301-1-0043 | Page 145 |
| Blowing | 0301-1-0044 | |
| Accessories | | Page 134 |
| Compliant to standards | | Page 28 |

Diameter:

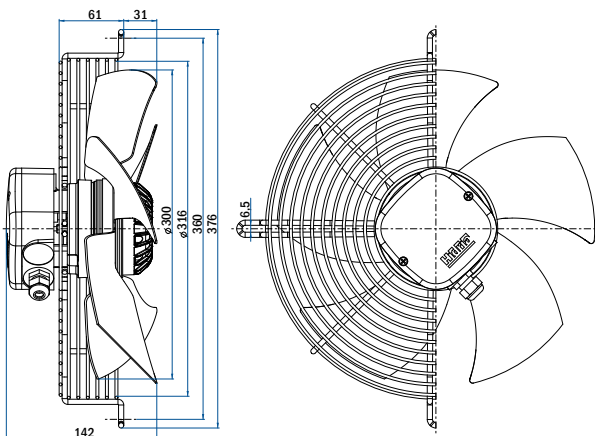
300 mm

R09_-3030H_-4T-2545



Fan with guard grill

| Airflow Direction | Type | Code | Weight (kg) |
|-------------------|---------------------|-------------|-------------|
| Sucking | R09R-3030HA-4T-2545 | 0309-4-1038 | 3.0 |
| Blowing | R09R-3030HP-4T-2545 | On request | |



Fan with plate

| Airflow Direction | Type | Code | Weight (kg) |
|-------------------|---------------------|------------|-------------|
| Sucking | R09P-3030HA-4T-2545 | On request | |
| Blowing | R09P-3030HP-4T-2545 | On request | |

Fan without guard grill

| Airflow Direction | Type | Code | Weight (kg) |
|-------------------|---------------------|------------|-------------|
| Sucking | R09E-3030HA-4T-2545 | On request | |
| Blowing | R09E-3030HP-4T-2545 | On request | |

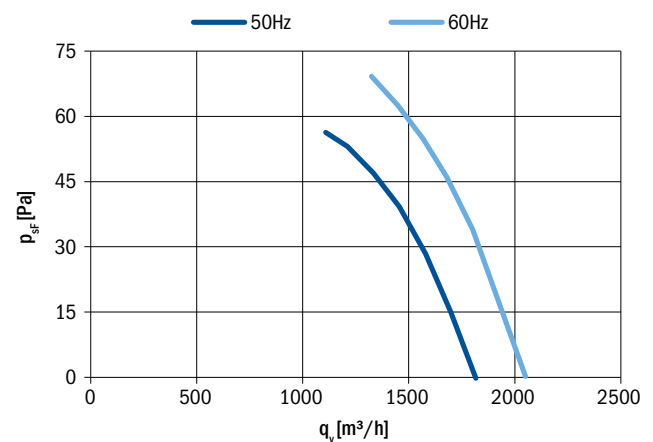
| Nominal data according to standard EN 60335: | |
|--|-----------------------|
| Phase | 3~ |
| Nominal voltage | 400/230 V |
| Frequency | 50/60 Hz |
| Rated power input | 75/80 W |
| Rated current | 0.20/0.35/0.17/0.30 A |
| Rated speed | 1370/1550 RPM |
| Min. ambient temperature | -30 °C |
| Max. ambient temperature | 55 °C |
| Sound power level A weighted | 67/72 dB (A) |
| Connection | terminal box |
| Insulation class | 155 |
| Protection class | IP54 |

ErP data according to EU regulation 327/2011:

Is not subject to the EU regulation 327/2011.

Power input lower than 125 W.

Aerodynamic characteristic



Fan characteristic measured in full bell mouth with guard grill

General notes

| | | |
|-----------------------------|-------------|----------|
| Connection diagram: Sucking | 0301-1-0049 | Page 146 |
| Blowing | 0301-1-0049 | |
| Accessories | | Page 134 |
| Compliant to standards | | Page 28 |

R09_-3130H_-4M-3509

Diameter:

315 mm

Nominal data according to standard EN 60335:

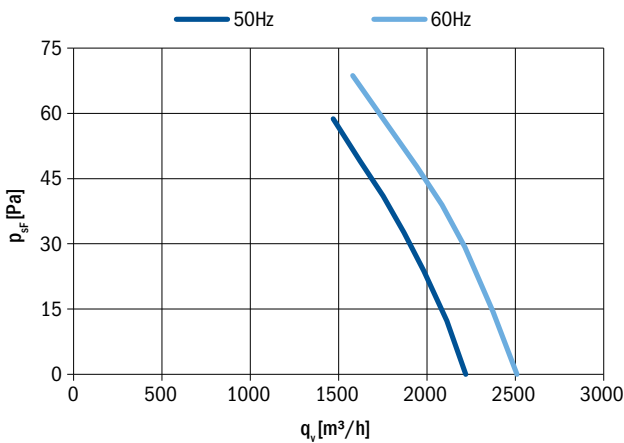
| | |
|------------------------------|---------------|
| Phase | 1~ |
| Nominal voltage | 230 V |
| Frequency | 50/60 Hz |
| Rated power input | 90/120 W |
| Rated current | 0.40/0.55 A |
| Rated speed | 1350/1500 RPM |
| Min. ambient temperature | -30 °C |
| Max. ambient temperature | 70/60 °C |
| Sound power level A weighted | 68/72 dB (A) |
| Condensator | 3 µF/450 V |
| Connection | terminal box |
| Insulation class | 155 |
| Protection class | IP54 |

ErP data according to EU regulation 327/2011:

Is not subject to the EU regulation 327/2011.

Power input lower than 125 W.

Aerodynamic characteristic

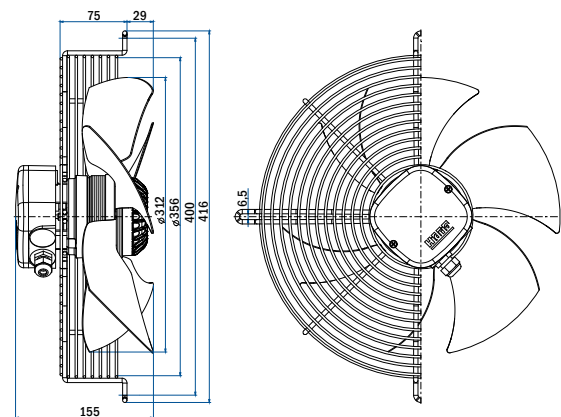


Fan characteristic measured in full bell mouth with guard grill



Fan with guard grill

| Airflow Direction | Type | Code | Weight (kg) |
|-------------------|---------------------|-------------|-------------|
| Sucking | R09R-3130HA-4M-3509 | 0309-4-1002 | 3.3 |
| Blowing | R09R-3130HP-4M-3509 | On request | |



Fan with plate

| Airflow Direction | Type | Code | Weight (kg) |
|-------------------|---------------------|-------------|-------------|
| Sucking | R09P-3130HA-4M-3509 | 0309-4-1015 | 4.5 |
| Blowing | R09P-3130HP-4M-3509 | On request | |

Fan without guard grill

| Airflow Direction | Type | Code | Weight (kg) |
|-------------------|---------------------|------------|-------------|
| Sucking | R09E-3130HA-4M-3509 | On request | |
| Blowing | R09E-3130HP-4M-3509 | On request | |

General notes

| | | |
|-----------------------------|-------------|----------|
| Connection diagram: Sucking | 0301-1-0043 | Page 145 |
| Blowing | 0301-1-0044 | |
| Accessories | | Page 134 |
| Compliant to standards | | Page 28 |

Diameter:

315 mm

R09_-3130H_-4T-3524



Nominal data according to standard EN 60335:

| | |
|------------------------------|-----------------------|
| Phase | 3~ |
| Nominal voltage | 400/230 V |
| Frequency | 50/60 Hz |
| Rated power input | 100/120 W |
| Rated current | 0.23/0.41/0.22/0.39 A |
| Rated speed | 1340/1490 RPM |
| Min. ambient temperature | -30 °C |
| Max. ambient temperature | 55 °C |
| Sound power level A weighted | 69/73 dB (A) |
| Connection | terminal box |
| Insulation class | 155 |
| Protection class | IP54 |

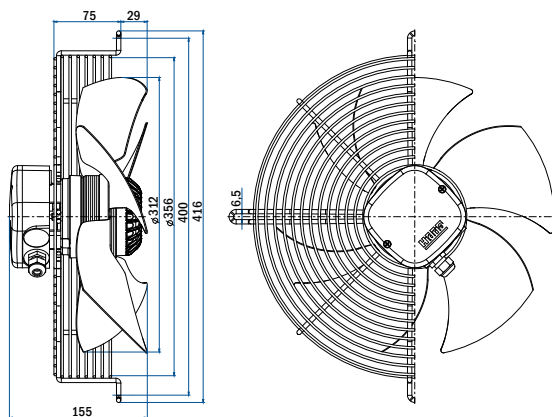
ErP data according to EU regulation 327/2011:

Is not subject to the EU regulation 327/2011.

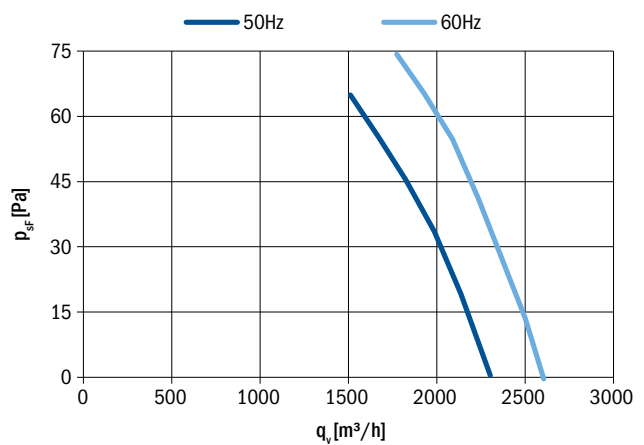
Power input lower than 125 W.

Fan with guard grill

| Airflow Direction | Type | Code | Weight (kg) |
|-------------------|---------------------|-------------|-------------|
| Sucking | R09R-3130HA-4T-3524 | 0309-4-1039 | 3.4 |
| Blowing | R09R-3130HP-4T-3524 | On request | |



Aerodynamic characteristic



Fan characteristic measured in full bell mouth with guard grill

Fan with plate

| Airflow Direction | Type | Code | Weight (kg) |
|-------------------|---------------------|------------|-------------|
| Sucking | R09P-3130HA-4T-3524 | On request | |
| Blowing | R09P-3130HP-4T-3524 | On request | |

Fan without guard grill

| Airflow Direction | Type | Code | Weight (kg) |
|-------------------|---------------------|------------|-------------|
| Sucking | R09E-3130HA-4T-3524 | On request | |
| Blowing | R09E-3130HP-4T-3524 | On request | |

General notes

| | | |
|-----------------------------|-------------|----------|
| Connection diagram: Sucking | 0301-1-0049 | Page 146 |
| Blowing | 0301-1-0049 | |
| Accessories | | Page 134 |
| Compliant to standards | | Page 28 |

R09_-3330H_-4M-3542

Diameter:

330 mm

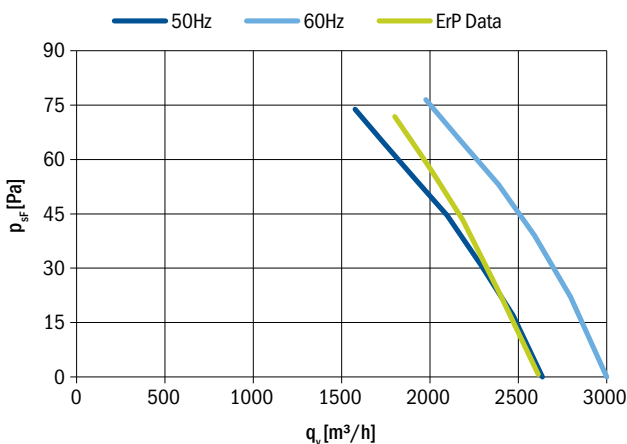
Nominal data according to standard EN 60335:

| | |
|------------------------------|---------------|
| Phase | 1~ |
| Nominal voltage | 230 V |
| Frequency | 50/60 Hz |
| Rated power input | 130/170 W |
| Rated current | 0.55/0.75 A |
| Rated speed | 1350/1500 RPM |
| Min. ambient temperature | -30 °C |
| Max. ambient temperature | 55 °C |
| Sound power level A weighted | 70/74 dB (A) |
| Condensator | 4 µF/450 V |
| Connection | terminal box |
| Insulation class | 155 |
| Protection class | IP54 |

ErP data according to EU regulation 327/2011:

| | |
|----------------------|-----------|
| Overall efficiency | 25.9 % |
| Measurement category | A |
| Efficiency category | static |
| Efficiency grade N | 37.8 |
| Variable speed drive | NO |
| Power input | 133 W |
| Air flow | 1800 m³/h |
| Pressure drop | 72 Pa |
| Speed | 1350 RPM |
| Specific ratio | 1.00 |

Aerodynamic characteristic



Fan characteristic measured in full bell mouth with guard grill
ErP characteristic measured in full bell mouth without guard grill

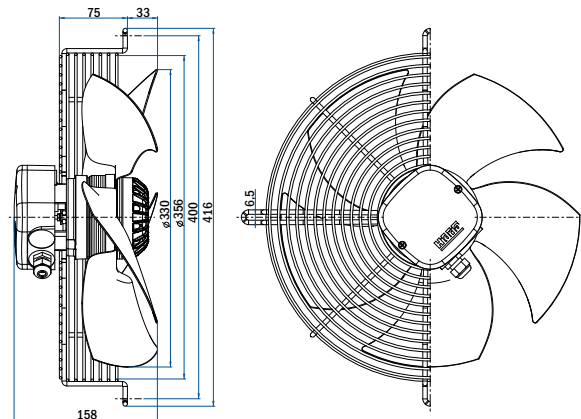
General notes

| | | |
|-----------------------------|-------------|----------|
| Connection diagram: Sucking | 0301-1-0043 | Page 145 |
| Blowing | 0301-1-0044 | |
| Accessories | | Page 134 |
| Compliant to standards | | Page 28 |



Fan with guard grill

| Airflow Direction | Type | Code | Weight (kg) |
|-------------------|---------------------|-------------|-------------|
| Sucking | R09R-3330HA-4M-3542 | 0309-4-1001 | 3.4 |
| Blowing | R09R-3330HP-4M-3542 | On request | |



Fan with plate

| Airflow Direction | Type | Code | Weight (kg) |
|-------------------|---------------------|------------|-------------|
| Sucking | R09P-3330HA-4M-3542 | On request | |
| Blowing | R09P-3330HP-4M-3542 | On request | |

Fan without guard grill

| Airflow Direction | Type | Code | Weight (kg) |
|-------------------|---------------------|------------|-------------|
| Sucking | R09E-3330HA-4M-3542 | On request | |
| Blowing | R09E-3330HP-4M-3542 | On request | |

Diameter:

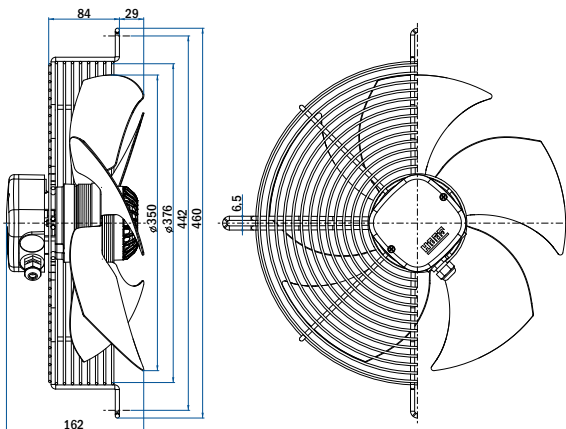
350 mm

R09_-3530H_-4M-4237



Fan with guard grill

| Airflow Direction | Type | Code | Weight (kg) |
|-------------------|---------------------|-------------|-------------|
| Sucking | R09R-3530HA-4M-4237 | 0309-4-1000 | 3.7 |
| Blowing | R09R-3530HP-4M-4237 | 0309-4-1032 | |



Fan with plate

| Airflow Direction | Type | Code | Weight (kg) |
|-------------------|---------------------|-------------|-------------|
| Sucking | R09P-3530HA-4M-4237 | 0309-4-1013 | 6.2 |
| Blowing | R09P-3530HP-4M-4237 | 0309-4-1122 | |

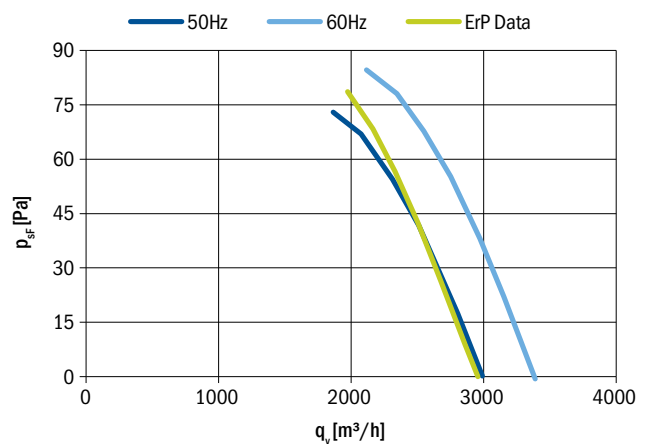
Fan without guard grill

| Airflow Direction | Type | Code | Weight (kg) |
|-------------------|---------------------|------------|-------------|
| Sucking | R09E-3530HA-4M-4237 | On request | |
| Blowing | R09E-3530HP-4M-4237 | On request | |

| Nominal data according to standard EN 60335: | |
|--|---------------|
| Phase | 1~ |
| Nominal voltage | 230 V |
| Frequency | 50/60 Hz |
| Rated power input | 130/165 W |
| Rated current | 0.60/0.72 A |
| Rated speed | 1290/1380 RPM |
| Min. ambient temperature | -30 °C |
| Max. ambient temperature | 60 °C |
| Sound power level A weighted | 72/75 dB (A) |
| Condensator | 4 µF/450 V |
| Connection | terminal box |
| Insulation class | 155 |
| Protection class | IP54 |

| ErP data according to EU regulation 327/2011: | |
|---|-----------|
| Overall efficiency | 29.0 % |
| Measurement category | A |
| Efficiency category | static |
| Efficiency grade N | 40.7 |
| Variable speed drive | NO |
| Power input | 140 W |
| Air flow | 1975 m³/h |
| Pressure drop | 79 Pa |
| Speed | 1333 RPM |
| Specific ratio | 1.00 |

Aerodynamic characteristic



Fan characteristic measured in full bell mouth with guard grill
ErP characteristic measured in full bell mouth without guard grill

| General notes | | |
|-----------------------------|-------------|----------|
| Connection diagram: Sucking | 0301-1-0043 | Page 145 |
| Blowing | 0301-1-0044 | |
| Accessories | | Page 134 |
| Compliant to standards | | Page 28 |

R09_-3530H_-4T-4258

Diameter:

350 mm

Nominal data according to standard EN 60335:

| | |
|------------------------------|-----------------------|
| Phase | 3~ |
| Nominal voltage | 400/230 V |
| Frequency | 50/60 Hz |
| Rated power input | 135/170 W |
| Rated current | 0.30/0.53/0.30/0.53 A |
| Rated speed | 1330/1460 RPM |
| Min. ambient temperature | -30 °C |
| Max. ambient temperature | 65/70 °C |
| Sound power level A weighted | 72/75 dB (A) |
| Connection | terminal box |
| Insulation class | 155 |
| Protection class | IP54 |

ErP data according to EU regulation 327/2011:

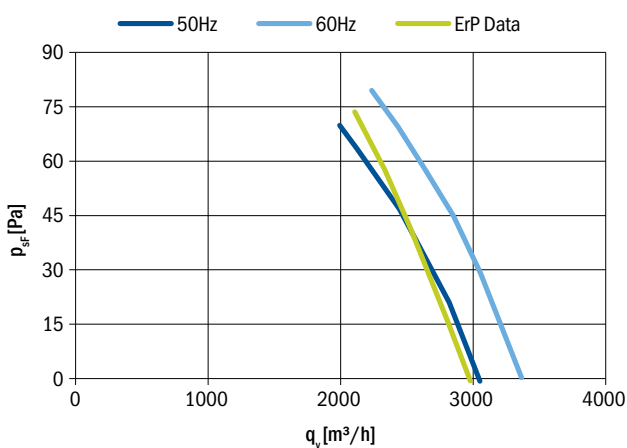
| | |
|----------------------|-----------|
| Overall efficiency | 29.5 % |
| Measurement category | A |
| Efficiency category | static |
| Efficiency grade N | 41.2 |
| Variable speed drive | NO |
| Power input | 141 W |
| Air flow | 2107 m³/h |
| Pressure drop | 74 Pa |
| Speed | 1332 RPM |
| Specific ratio | 1.00 |



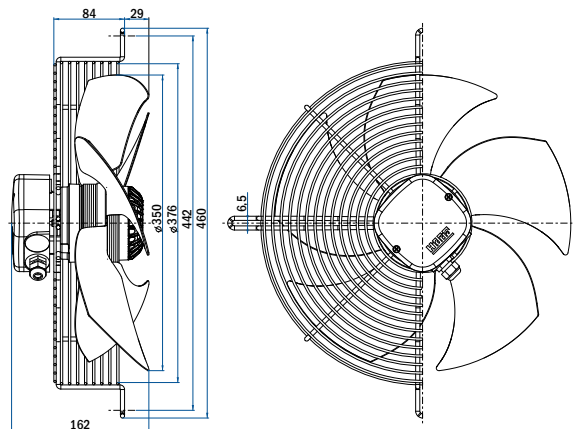
Fan with guard grill

| Airflow Direction | Type | Code | Weight (kg) |
|-------------------|---------------------|-------------|-------------|
| Sucking | R09R-3530HA-4T-4258 | 0309-4-1023 | 3.7 |
| Blowing | R09R-3530HP-4T-4258 | 0309-4-1048 | |

Aerodynamic characteristic



Fan characteristic measured in full bell mouth with guard grill
ErP characteristic measured in full bell mouth without guard grill



Fan with plate

| Airflow Direction | Type | Code | Weight (kg) |
|-------------------|---------------------|------------|-------------|
| Sucking | R09P-3530HA-4T-4258 | On request | |
| Blowing | R09P-3530HP-4T-4258 | On request | |

Fan without guard grill

| Airflow Direction | Type | Code | Weight (kg) |
|-------------------|---------------------|------------|-------------|
| Sucking | R09E-3530HA-4T-4258 | On request | |
| Blowing | R09E-3530HP-4T-4258 | On request | |

General notes

| | | |
|-----------------------------|-------------|----------|
| Connection diagram: Sucking | 0301-1-0049 | Page 146 |
| Blowing | 0301-1-0049 | |
| Accessories | | Page 134 |
| Compliant to standards | | Page 28 |

Diameter:

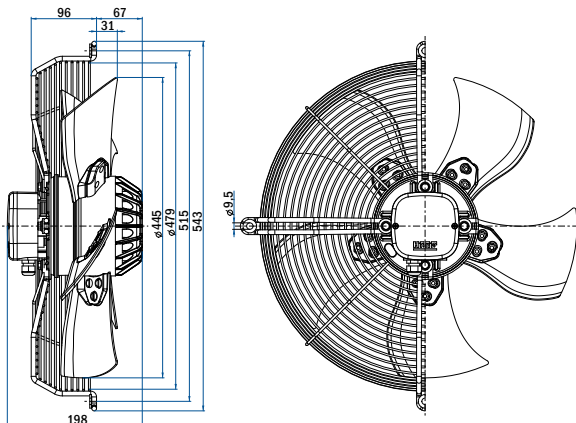
450 mm

R13_-4530H_-4M-5066



Fan with guard grill

| Airflow Direction | Type | Code | Weight (kg) |
|-------------------|---------------------|-------------|-------------|
| Sucking | R13R-4530HA-4M-5066 | 0313-4-1082 | 10.0 |
| Blowing | R13R-4530HP-4M-5066 | On request | |



Fan with plate

| Airflow Direction | Type | Code | Weight (kg) |
|-------------------|---------------------|------------|-------------|
| Sucking | R13P-4530HA-4M-5066 | On request | |
| Blowing | R13P-4530HP-4M-5066 | On request | |

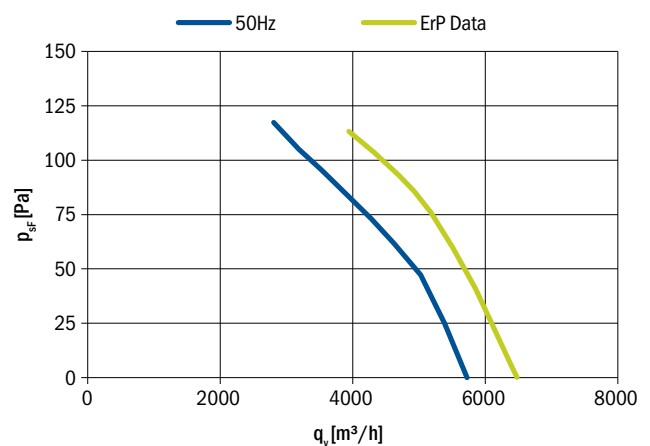
Fan without guard grill

| Airflow Direction | Type | Code | Weight (kg) |
|-------------------|---------------------|------------|-------------|
| Sucking | R13E-4530HA-4M-5066 | On request | |
| Blowing | R13E-4530HP-4M-5066 | On request | |

| Nominal data according to standard EN 60335: | |
|--|--------------|
| Phase | 1~ |
| Nominal voltage | 230 V |
| Frequency | 50 Hz |
| Rated power input | 400 W |
| Rated current | 1.80 A |
| Rated speed | 1400 RPM |
| Min. ambient temperature | -30 °C |
| Max. ambient temperature | 60 °C |
| Sound power level A weighted | 72 dB (A) |
| Condensator | 10 µF/450 V |
| Connection | terminal box |
| Insulation class | 155 |
| Protection class | IP54 |

| ErP data according to EU regulation 327/2011: | |
|---|-----------|
| Overall efficiency | 27.5 % |
| Measurement category | A |
| Efficiency category | static |
| Efficiency grade N | 36.1 |
| Variable speed drive | NO |
| Power input | 442 W |
| Air flow | 4695 m³/h |
| Pressure drop | 93 Pa |
| Speed | 1370 RPM |
| Specific ratio | 1.00 |

Aerodynamic characteristic



Fan characteristic measured in short bell mouth with guard grill
ErP characteristic measured in full bell mouth without guard grill

| General notes | | |
|-----------------------------|-------------|----------|
| Connection diagram: Sucking | 0301-1-0044 | Page 145 |
| Blowing | 0301-1-0043 | |
| Accessories | | Page 134 |
| Compliant to standards | | Page 28 |

R13_-4530H_-4T2-5059

Diameter:

450 mm

Nominal data according to standard EN 60335:

| | |
|------------------------------|---------------|
| Phase | 3~ |
| Nominal voltage | 400 V |
| Frequency | 50 Hz |
| Speed | high/low |
| Rated power input | 465/330 W |
| Rated current | 0.95/0.50 A |
| Rated speed | 1400/1260 RPM |
| Min. ambient temperature | -30 °C |
| Max. ambient temperature | 70 °C |
| Sound power level A weighted | 73/69 dB (A) |
| Connection | terminal box |
| Insulation class | 155 |
| Protection class | IP54 |

ErP data according to EU regulation 327/2011:

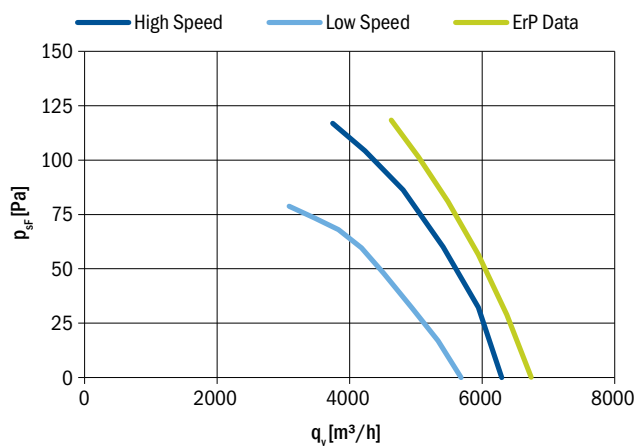
| | |
|----------------------|-----------|
| Overall efficiency | 29.3 % |
| Measurement category | A |
| Efficiency category | static |
| Efficiency grade N | 37.5 |
| Variable speed drive | NO |
| Power input | 500 W |
| Air flow | 4631 m³/h |
| Pressure drop | 118 Pa |
| Speed | 1372 RPM |
| Specific ratio | 1.00 |



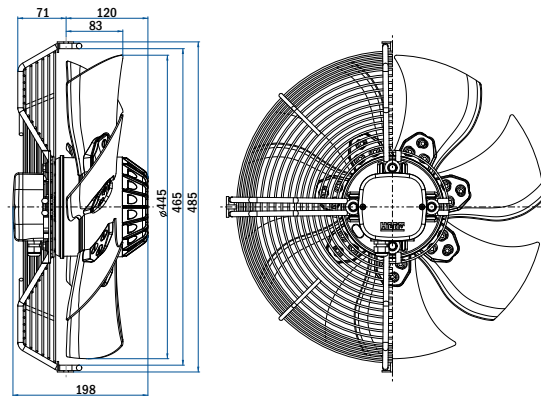
Fan with guard grill

| Airflow Direction | Type | Code | Weight (kg) |
|-------------------|----------------------|-------------|-------------|
| Sucking | R13R-4530HA-4T2-5059 | 0313-4-1152 | 11.0 |
| Blowing | R13R-4530HP-4T2-5059 | On request | |

Aerodynamic characteristic



Fan characteristic measured in full bell mouth with guard grill
ErP characteristic measured in full bell mouth without guard grill



Fan with plate

| Airflow Direction | Type | Code | Weight (kg) |
|-------------------|----------------------|------------|-------------|
| Sucking | R13P-4530HA-4T2-5059 | On request | |
| Blowing | R13P-4530HP-4T2-5059 | On request | |

Fan without guard grill

| Airflow Direction | Type | Code | Weight (kg) |
|-------------------|----------------------|------------|-------------|
| Sucking | R13E-4530HA-4T2-5059 | On request | |
| Blowing | R13E-4530HP-4T2-5059 | On request | |

General notes

| | | |
|-----------------------------|-------------|----------|
| Connection diagram: Sucking | 0301-1-0033 | Page 147 |
| Blowing | 0301-1-0033 | |
| Accessories | | Page 134 |
| Compliant to standards | | Page 28 |

Diameter:

450 mm

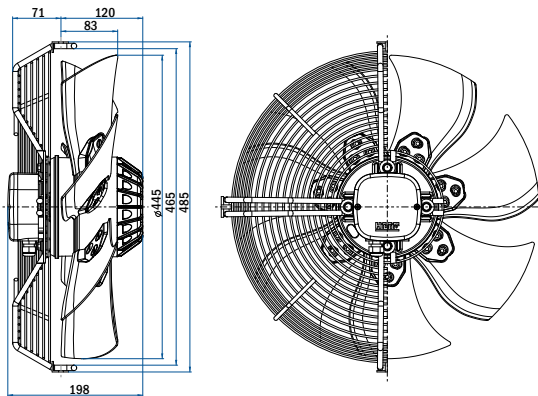
R13_-4530H_-6T2-5065



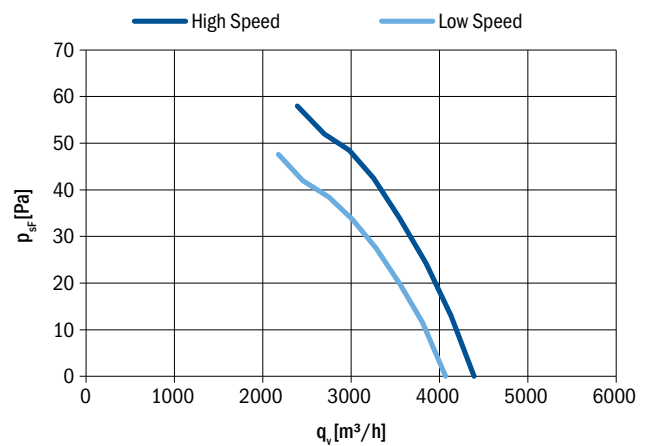
| Nominal data according to standard EN 60335: | |
|--|--------------|
| Phase | 3~ |
| Nominal voltage | 400 V |
| Frequency | 50 Hz |
| Speed | high/low |
| Rated power input | 170/105 W |
| Rated current | 0.70/0.23 A |
| Rated speed | 940/840 RPM |
| Min. ambient temperature | -30 °C |
| Max. ambient temperature | 70 °C |
| Sound power level A weighted | 67/62 dB (A) |
| Connection | terminal box |
| Insulation class | 155 |
| Protection class | IP54 |

Fan with guard grill

| Airflow Direction | Type | Code | Weight (kg) |
|-------------------|----------------------|-------------|-------------|
| Sucking | R13R-4530HA-6T2-5065 | 0313-4-1072 | 11.0 |
| Blowing | R13R-4530HA-6T2-5065 | On request | |



Aerodynamic characteristic



Fan characteristic measured in full bell mouth with guard grill

Fan with plate

| Airflow Direction | Type | Code | Weight (kg) |
|-------------------|----------------------|-------------|-------------|
| Sucking | R13P-4530HA-6T2-5065 | 0313-4-1071 | 16.5 |
| Blowing | R13P-4530HA-6T2-5065 | On request | |

Fan without guard grill

| Airflow Direction | Type | Code | Weight (kg) |
|-------------------|----------------------|-------------|-------------|
| Sucking | R13E-4530HA-6T2-5065 | 0313-4-1062 | 8.1 |
| Blowing | R13E-4530HA-6T2-5065 | On request | |

General notes

| | | |
|-----------------------------|-------------|----------|
| Connection diagram: Sucking | 0301-1-0033 | Page 147 |
| Blowing | 0301-1-0033 | |
| Accessories | | Page 134 |
| Compliant to standards | | Page 28 |

R13_-5030H_-4M-7075

Diameter:

500 mm

Nominal data according to standard EN 60335:

| | |
|------------------------------|--------------|
| Phase | 1~ |
| Nominal voltage | 230 V |
| Frequency | 50 Hz |
| Rated power input | 780 W |
| Rated current | 3.50 A |
| Rated speed | 1370 RPM |
| Min. ambient temperature | -30 °C |
| Max. ambient temperature | 60 °C |
| Sound power level A weighted | 76 dB (A) |
| Condensator | 16 µF/450 V |
| Connection | terminal box |
| Insulation class | 155 |
| Protection class | IP54 |

ErP data according to EU regulation 327/2011:

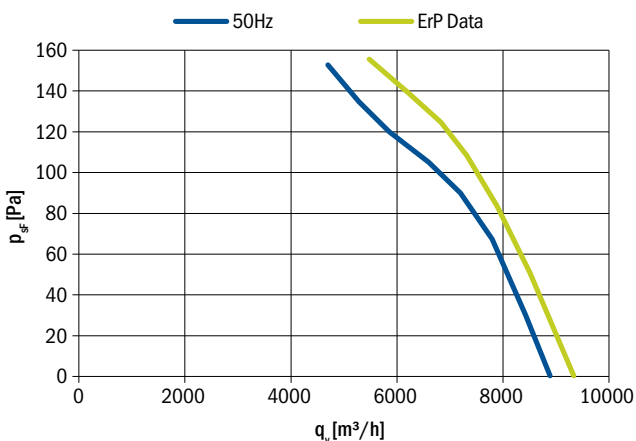
| | |
|----------------------|-----------|
| Overall efficiency | 29.4 % |
| Measurement category | A |
| Efficiency category | static |
| Efficiency grade N | 36.4 |
| Variable speed drive | NO |
| Power input | 771 W |
| Air flow | 6829 m³/h |
| Pressure drop | 125 Pa |
| Speed | 1336 RPM |
| Specific ratio | 1.00 |



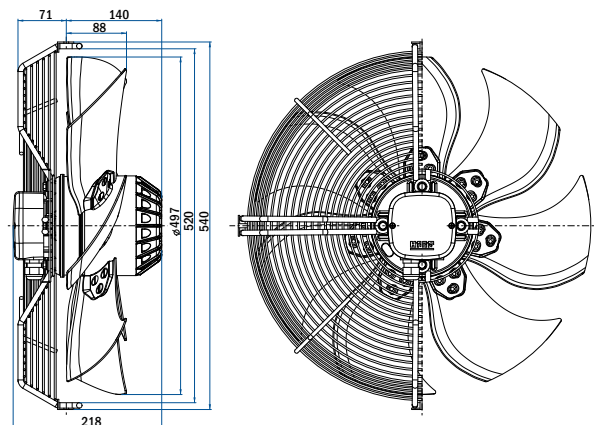
Fan with guard grill

| Airflow Direction | Type | Code | Weight (kg) |
|-------------------|---------------------|-------------|-------------|
| Sucking | R13R-5030HA-4M-7075 | 0313-4-1081 | 13.1 |
| Blowing | R13R-5030HP-4M-7075 | On request | |

Aerodynamic characteristic



Fan characteristic measured in short bell mouth with guard grill
ErP characteristic measured in full bell mouth without guard grill



Fan with plate

| Airflow Direction | Type | Code | Weight (kg) |
|-------------------|---------------------|-------------|-------------|
| Sucking | R13P-5030HA-4M-7075 | 0313-4-1120 | 18.6 |
| Blowing | R13P-5030HP-4M-7075 | On request | |

Fan without guard grill

| Airflow Direction | Type | Code | Weight (kg) |
|-------------------|---------------------|-------------|-------------|
| Sucking | R13E-5030HA-4M-7075 | 0313-4-1121 | 10.7 |
| Blowing | R13E-5030HP-4M-7075 | On request | |

General notes

| | | |
|-----------------------------|-------------|----------|
| Connection diagram: Sucking | 0301-1-0035 | Page 146 |
| Blowing | 0301-1-0029 | |
| Accessories | | Page 134 |
| Compliant to standards | | Page 28 |

Diameter:

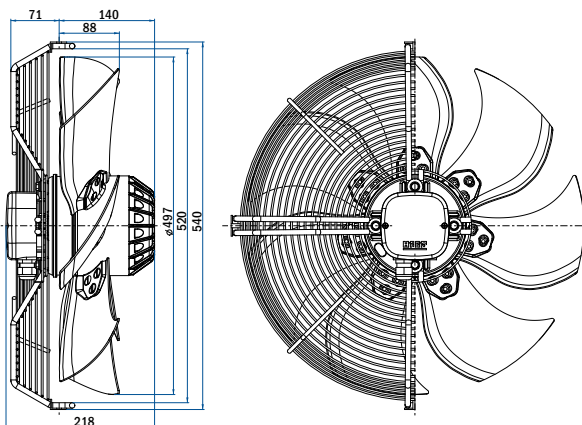
500 mm

R13_-5030H_-4T2-7063



Fan with guard grill

| Airflow Direction | Type | Code | Weight (kg) |
|-------------------|----------------------|-------------|-------------|
| Sucking | R13R-5030HA-4T2-7063 | 0313-4-1038 | 12.5 |
| Blowing | R13R-5030HP-4T2-7063 | On request | |



Fan with plate

| Airflow Direction | Type | Code | Weight (kg) |
|-------------------|----------------------|-------------|-------------|
| Sucking | R13P-5030HA-4T2-7063 | 0313-4-1028 | 18.0 |
| Blowing | R13P-5030HP-4T2-7063 | On request | |

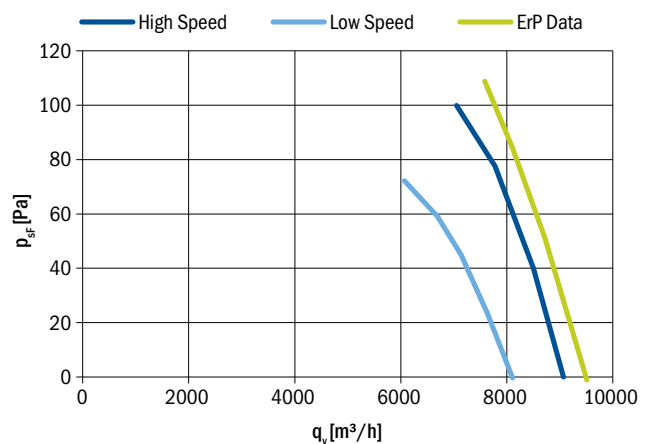
Fan without guard grill

| Airflow Direction | Type | Code | Weight (kg) |
|-------------------|----------------------|-------------|-------------|
| Sucking | R13E-5030HA-4T2-7063 | 0313-4-1068 | 10.1 |
| Blowing | R13E-5030HP-4T2-7063 | On request | |

| Nominal data according to standard EN 60335: | |
|--|---------------|
| Phase | 3~ |
| Nominal voltage | 400 V |
| Frequency | 50 Hz |
| Speed | high/low |
| Rated power input | 800/540 W |
| Rated current | 1.90/0.95 A |
| Rated speed | 1390/1200 RPM |
| Min. ambient temperature | -30 °C |
| Max. ambient temperature | 45 °C |
| Sound power level A weighted | 76/72 dB (A) |
| Connection | terminal box |
| Insulation class | 155 |
| Protection class | IP54 |

| ErP data according to EU regulation 327/2011: | |
|---|------------------------|
| Overall efficiency | 31.0 % |
| Measurement category | A |
| Efficiency category | static |
| Efficiency grade N | 37.8 |
| Variable speed drive | NO |
| Power input | 828 W |
| Air flow | 6489 m ³ /h |
| Pressure drop | 150 Pa |
| Speed | 1369 RPM |
| Specific ratio | 1.00 |

Aerodynamic characteristic



Fan characteristic measured in full bell mouth with guard grill
ErP characteristic measured in full bell mouth without guard grill

| General notes | | |
|-----------------------------|-------------|----------|
| Connection diagram: Sucking | 0301-1-0033 | Page 147 |
| Blowing | 0301-1-0033 | |
| Accessories | | Page 134 |
| Compliant to standards | | Page 28 |

R13_-5030H_-6M-5072

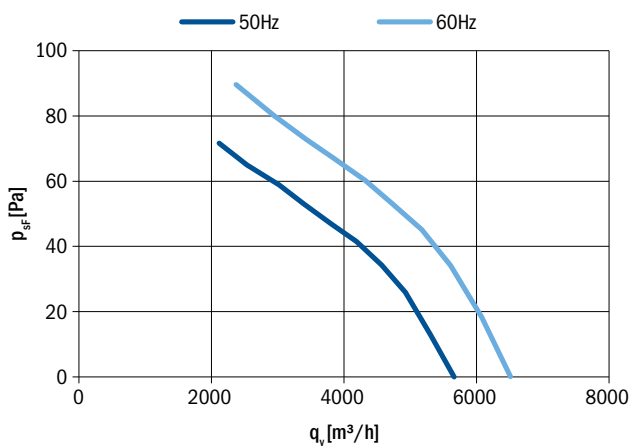
Diameter:

500 mm

Nominal data according to standard EN 60335:

| | |
|------------------------------|--------------|
| Phase | 1~ |
| Nominal voltage | 230 V |
| Frequency | 50/60 Hz |
| Rated power input | 245/320 W |
| Rated current | 1.10/1.35 A |
| Rated speed | 900/1030 RPM |
| Min. ambient temperature | -30 °C |
| Max. ambient temperature | 60 °C |
| Sound power level A weighted | 72/76 dB (A) |
| Condensator | 8 µF/450 V |
| Connection | terminal box |
| Insulation class | 155 |
| Protection class | IP54 |

Aerodynamic characteristic

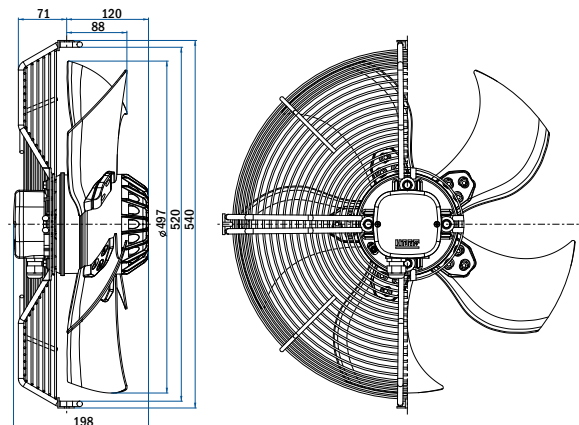


Fan characteristic measured in full bell mouth with guard grill



Fan with guard grill

| Airflow Direction | Type | Code | Weight (kg) |
|-------------------|---------------------|-------------|-------------|
| Sucking | R13R-5030HA-6M-5072 | 0313-4-1083 | 10.3 |
| Blowing | R13R-5030HP-6M-5072 | On request | |



Fan with plate

| Airflow Direction | Type | Code | Weight (kg) |
|-------------------|---------------------|-------------|-------------|
| Sucking | R13P-5030HA-6M-5072 | 0313-4-1105 | 15.8 |
| Blowing | R13P-5030HP-6M-5072 | On request | |

Fan without guard grill

| Airflow Direction | Type | Code | Weight (kg) |
|-------------------|---------------------|-------------|-------------|
| Sucking | R13E-5030HA-6M-5072 | 0313-4-1104 | 7.9 |
| Blowing | R13E-5030HP-6M-5072 | On request | |

General notes

| | | |
|-----------------------------|-------------|----------|
| Connection diagram: Sucking | 0301-1-0044 | Page 145 |
| Blowing | 0301-1-0043 | |
| Accessories | | Page 134 |
| Compliant to standards | | Page 28 |

Diameter:

500 mm

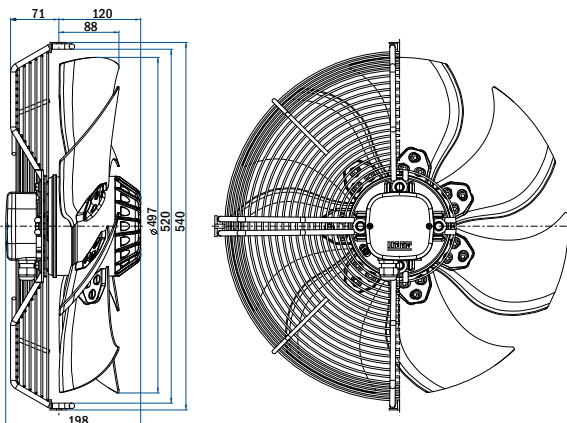
R13_-5030H_-6M-5071



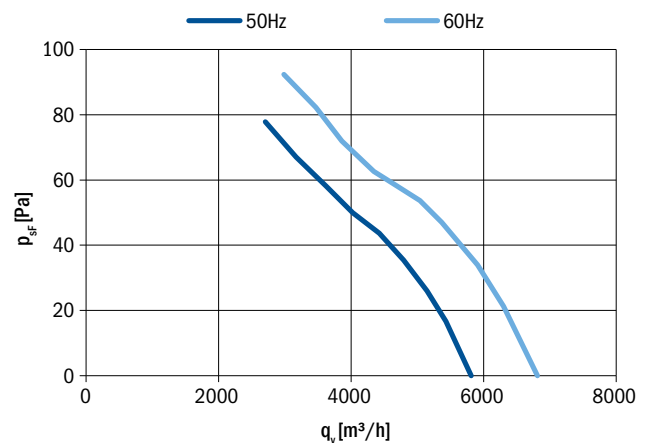
| Nominal data according to standard EN 60335: | |
|--|--------------|
| Phase | 1~ |
| Nominal voltage | 230 V |
| Frequency | 50/60 Hz |
| Rated power input | 280/370 W |
| Rated current | 1.20/1.50 A |
| Rated speed | 890/1000 RPM |
| Min. ambient temperature | -30 °C |
| Max. ambient temperature | 55 °C |
| Sound power level A weighted | 75/78 dB (A) |
| Condensator | 8 µF/450 V |
| Connection | terminal box |
| Insulation class | 155 |
| Protection class | IP54 |

Fan with guard grill

| Airflow Direction | Type | Code | Weight (kg) |
|-------------------|---------------------|-------------|-------------|
| Sucking | R13R-5030HA-6M-5071 | 0313-4-1080 | 10.5 |
| Blowing | R13R-5030HP-6M-5071 | On request | |



Aerodynamic characteristic



Fan characteristic measured in full bell mouth with guard grill

Fan with plate

| Airflow Direction | Type | Code | Weight (kg) |
|-------------------|---------------------|-------------|-------------|
| Sucking | R13P-5030HA-6M-5071 | 0309-4-1102 | 16.0 |
| Blowing | R13P-5030HP-6M-5071 | On request | |

Fan without guard grill

| Airflow Direction | Type | Code | Weight (kg) |
|-------------------|---------------------|-------------|-------------|
| Sucking | R13E-5030HA-6M-5071 | 0313-4-1101 | 8.0 |
| Blowing | R13E-5030HP-6M-5071 | On request | |

General notes

| | | |
|-----------------------------|-------------|----------|
| Connection diagram: Sucking | 0301-1-0044 | Page 145 |
| Blowing | 0301-1-0043 | |
| Accessories | | Page 134 |
| Compliant to standards | | Page 28 |

R13_-5030H_-6T2-5068

Diameter:

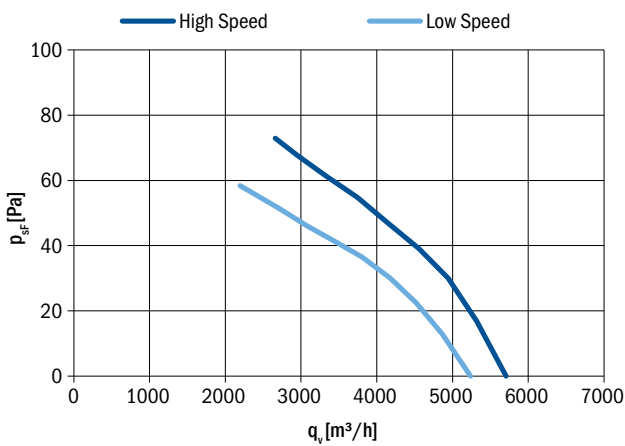
500 mm

Nominal data according to standard EN 60335:

| | |
|------------------------------|--------------|
| Phase | 3~ |
| Nominal voltage | 400 V |
| Frequency | 50 Hz |
| Speed | high/low |
| Rated power input | 210/150 W |
| Rated current | 0.60/0.27 A |
| Rated speed | 960/880 RPM |
| Min. ambient temperature | -30 °C |
| Max. ambient temperature | 60 °C |
| Sound power level A weighted | 72/70 dB (A) |
| Connection | terminal box |
| Insulation class | 155 |
| Protection class | IP54 |



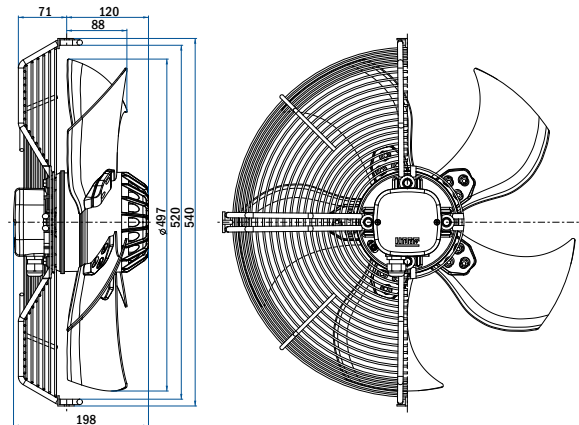
Aerodynamic characteristic



Fan characteristic measured in full bell mouth with guard grill

Fan with guard grill

| Airflow Direction | Type | Code | Weight (kg) |
|-------------------|----------------------|-------------|-------------|
| Sucking | R13R-5030HA-6T2-5068 | 0313-4-1089 | 10.3 |
| Blowing | R13R-5030HP-6T2-5068 | On request | |



Fan with plate

| Airflow Direction | Type | Code | Weight (kg) |
|-------------------|----------------------|-------------|-------------|
| Sucking | R13P-5030HA-6T2-5068 | 0313-4-1090 | 15.8 |
| Blowing | R13P-5030HP-6T2-5068 | On request | |

Fan without guard grill

| Airflow Direction | Type | Code | Weight (kg) |
|-------------------|----------------------|-------------|-------------|
| Sucking | R13E-5030HA-6T2-5068 | 0313-4-1088 | 7.9 |
| Blowing | R13E-5030HP-6T2-5068 | On request | |

General notes

| | | |
|-----------------------------|-------------|----------|
| Connection diagram: Sucking | 0301-1-0033 | Page 147 |
| Blowing | 0301-1-0033 | |
| Accessories | | Page 134 |
| Compliant to standards | | Page 28 |

Diameter:

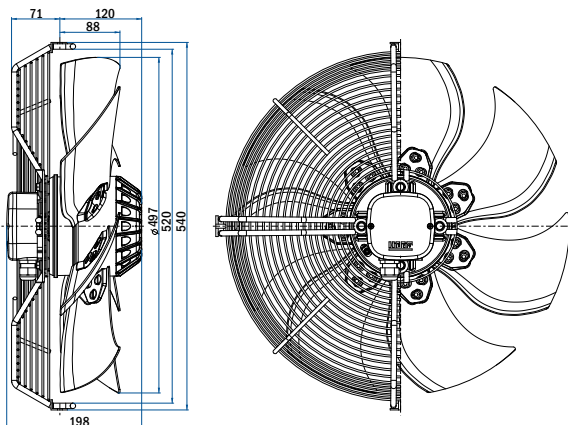
500 mm

R13_-5030H_-6T2-5065



Fan with guard grill

| Airflow Direction | Type | Code | Weight (kg) |
|-------------------|----------------------|-------------|-------------|
| Sucking | R13R-5030HA-6T2-5065 | 0303-4-1086 | 10.5 |
| Blowing | R13R-5030HP-6T2-5065 | On request | |



Fan with plate

| Airflow Direction | Type | Code | Weight (kg) |
|-------------------|----------------------|-------------|-------------|
| Sucking | R13P-5030HA-6T2-5065 | 0313-4-1087 | 16.0 |
| Blowing | R13P-5030HP-6T2-5065 | On request | |

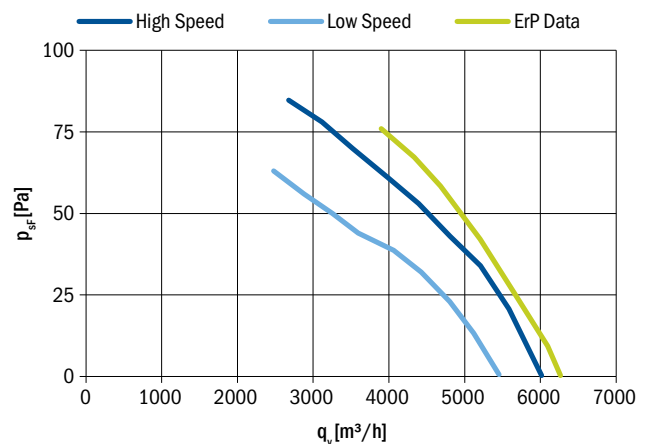
Fan without guard grill

| Airflow Direction | Type | Code | Weight (kg) |
|-------------------|----------------------|-------------|-------------|
| Sucking | R13E-5030HA-6T2-5065 | 0313-4-1063 | 8.0 |
| Blowing | R13E-5030HP-6T2-5065 | On request | |

| Nominal data according to standard EN 60335: | |
|--|--------------|
| Phase | 3~ |
| Nominal voltage | 400 V |
| Frequency | 50 Hz |
| Speed | high/low |
| Rated power input | 255/175 W |
| Rated current | 0.67/0.31 A |
| Rated speed | 960/870 RPM |
| Min. ambient temperature | -30 °C |
| Max. ambient temperature | 65 °C |
| Sound power level A weighted | 73/71 dB (A) |
| Connection | terminal box |
| Insulation class | 155 |
| Protection class | IP54 |

| ErP data according to EU regulation 327/2011: | |
|---|------------------------|
| Overall efficiency | 27.3 % |
| Measurement category | A |
| Efficiency category | static |
| Efficiency grade N | 37.1 |
| Variable speed drive | NO |
| Power input | 285 W |
| Air flow | 4335 m ³ /h |
| Pressure drop | 67 Pa |
| Speed | 939 RPM |
| Specific ratio | 1.00 |

Aerodynamic characteristic



Fan characteristic measured in full bell mouth with guard grill
ErP characteristic measured in full bell mouth without guard grill

| General notes | | |
|-----------------------------|-------------|----------|
| Connection diagram: Sucking | 0301-1-0033 | Page 147 |
| Blowing | 0301-1-0033 | |
| Accessories | | Page 134 |
| Compliant to standards | | Page 28 |

R13_-5630H_-6M-7036

Diameter:

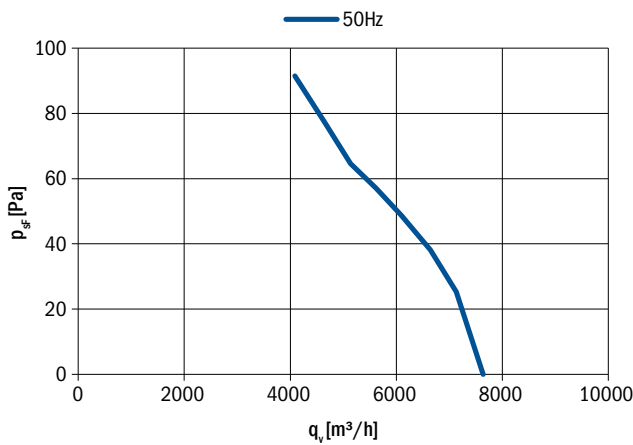
560 mm

Nominal data according to standard EN 60335:

| | |
|------------------------------|---------------|
| Phase | 1~ |
| Nominal voltage | 230 V |
| Frequency | 50 Hz |
| Rated power input | 420 W |
| Rated current | 1.90 A |
| Rated speed | 865 RPM |
| Min. ambient temperature | -30 °C |
| Max. ambient temperature | 55 °C |
| Sound power level A weighted | 76 dB (A) |
| Condensator | 12.5 µF/450 V |
| Connection | terminal box |
| Insulation class | 155 |
| Protection class | IP54 |



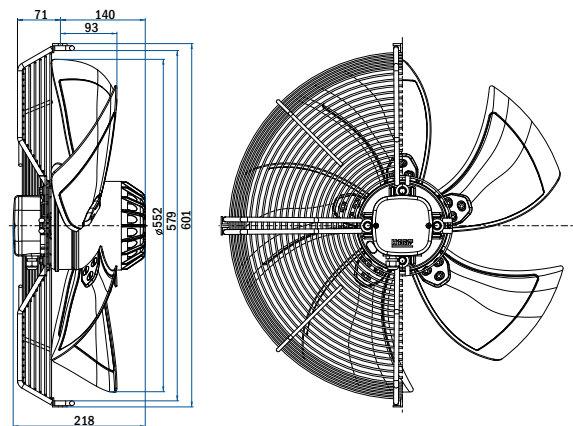
Aerodynamic characteristic



Fan characteristic measured in full bell mouth with guard grill

Fan with guard grill

| Airflow Direction | Type | Code | Weight (kg) |
|-------------------|---------------------|-------------|-------------|
| Sucking | R13R-5630HA-6M-7036 | 0313-4-1007 | 13.3 |
| Blowing | R13R-5630HP-6M-7036 | On request | |



Fan with plate

| Airflow Direction | Type | Code | Weight (kg) |
|-------------------|---------------------|-------------|-------------|
| Sucking | R13P-5630HA-6M-7036 | 0309-4-1031 | 21.0 |
| Blowing | R13P-5630HP-6M-7036 | On request | |

Fan without guard grill

| Airflow Direction | Type | Code | Weight (kg) |
|-------------------|---------------------|-------------|-------------|
| Sucking | R13E-5630HA-6M-7036 | 0313-4-1066 | 10.5 |
| Blowing | R13E-5630HP-6M-7036 | On request | |

General notes

| | | |
|-----------------------------|-------------|----------|
| Connection diagram: Sucking | 0301-1-0044 | Page 145 |
| Blowing | 0301-1-0043 | |
| Accessories | | Page 134 |
| Compliant to standards | | Page 28 |

Diameter:

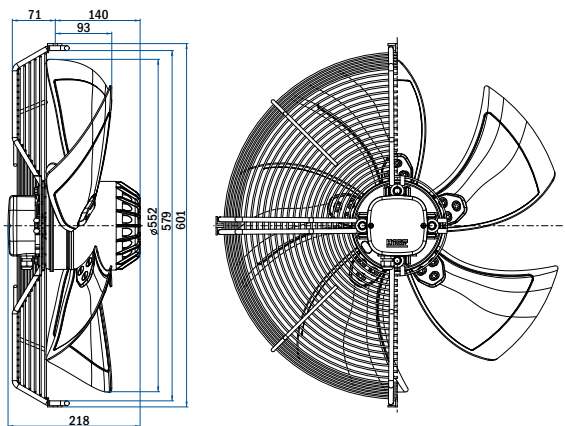
560 mm

R13_-5630H_-6T2-7008



Fan with guard grill

| Airflow Direction | Type | Code | Weight (kg) |
|-------------------|----------------------|-------------|-------------|
| Sucking | R13R-5630HA-6T2-7008 | 0313-4-1011 | 13.3 |
| Blowing | R13R-5630HP-6T2-7008 | On request | |



Fan with plate

| Airflow Direction | Type | Code | Weight (kg) |
|-------------------|----------------------|-------------|-------------|
| Sucking | R13P-5630HA-6T2-7008 | 0313-4-1015 | 21.0 |
| Blowing | R13P-5630HP-6T2-7008 | On request | |

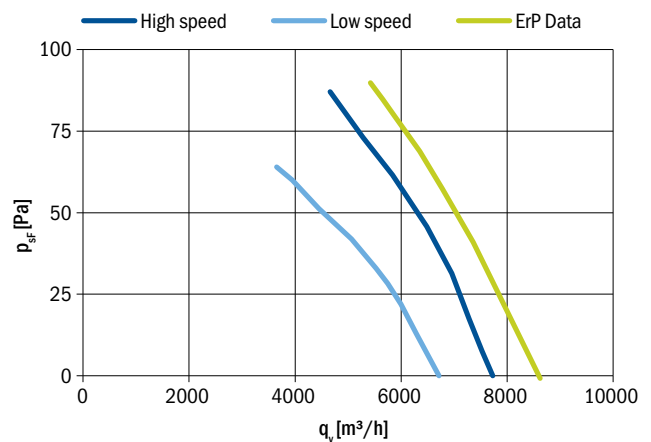
Fan without guard grill

| Airflow Direction | Type | Code | Weight (kg) |
|-------------------|----------------------|-------------|-------------|
| Sucking | R13E-5630HA-6T2-7008 | 0313-4-1045 | 10.5 |
| Blowing | R13E-5630HP-6T2-7008 | On request | |

| Nominal data according to standard EN 60335: | |
|--|--------------|
| Phase | 3~ |
| Nominal voltage | 400 V |
| Frequency | 50 Hz |
| Speed | high/low |
| Rated power input | 380/250 W |
| Rated current | 0.85/0.44 A |
| Rated speed | 910/760 RPM |
| Min. ambient temperature | -30 °C |
| Max. ambient temperature | 70 °C |
| Sound power level A weighted | 76/71 dB (A) |
| Connection | terminal box |
| Insulation class | 155 |
| Protection class | IP54 |

| ErP data according to EU regulation 327/2011: | |
|---|------------------------|
| Overall efficiency | 31.4 % |
| Measurement category | A |
| Efficiency category | static |
| Efficiency grade N | 40.2 |
| Variable speed drive | NO |
| Power input | 411 W |
| Air flow | 5423 m ³ /h |
| Pressure drop | 90 Pa |
| Speed | 920 RPM |
| Specific ratio | 1.00 |

Aerodynamic characteristic



Fan characteristic measured in full bell mouth with guard grill
ErP characteristic measured in full bell mouth without guard grill

| General notes | | |
|-----------------------------|-------------|----------|
| Connection diagram: Sucking | 0301-1-0033 | Page 147 |
| Blowing | 0301-1-0033 | |
| Accessories | | Page 134 |
| Compliant to standards | | Page 28 |

R13_-6330H_-6M-X055

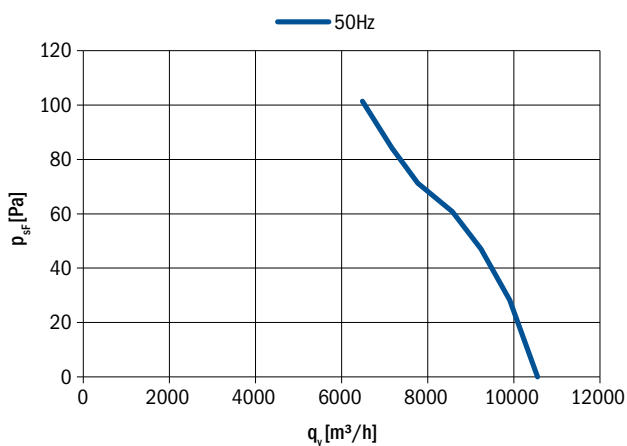
Diameter:

630 mm

Nominal data according to standard EN 60335:

| | |
|------------------------------|--------------|
| Phase | 1~ |
| Nominal voltage | 230 V |
| Frequency | 50 Hz |
| Rated power input | 680 W |
| Rated current | 3.10 A |
| Rated speed | 890 RPM |
| Min. ambient temperature | -30 °C |
| Max. ambient temperature | 50 °C |
| Sound power level A weighted | 77 dB (A) |
| Condensator | 18 µF/450 V |
| Connection | terminal box |
| Insulation class | 155 |
| Protection class | IP54 |

Aerodynamic characteristic

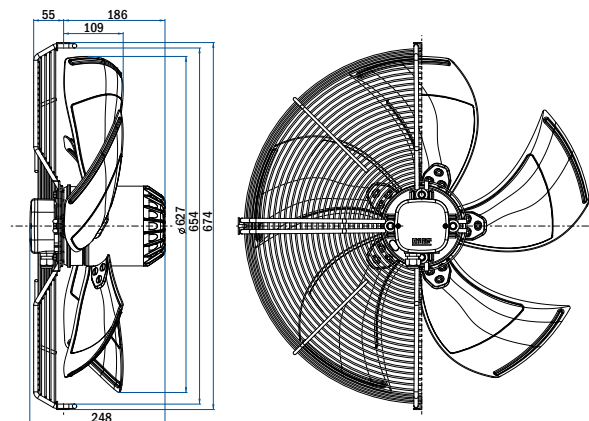


Fan characteristic measured in full bell mouth with guard grill



Fan with guard grill

| Airflow Direction | Type | Code | Weight (kg) |
|-------------------|---------------------|-------------|-------------|
| Sucking | R13R-6330HA-6M-X055 | 0313-4-1005 | 17.0 |
| Blowing | R13R-6330HP-6M-X055 | On request | |



Fan with plate

| Airflow Direction | Type | Code | Weight (kg) |
|-------------------|---------------------|-------------|-------------|
| Sucking | R13P-6330HA-6M-X055 | 0309-4-1031 | 24.7 |
| Blowing | R13P-6330HP-6M-X055 | On request | |

Fan without guard grill

| Airflow Direction | Type | Code | Weight (kg) |
|-------------------|---------------------|-------------|-------------|
| Sucking | R13E-6330HA-6M-X055 | 0313-4-1061 | 14.2 |
| Blowing | R13E-6330HP-6M-X055 | On request | |

General notes

| | | |
|-----------------------------|-------------|----------|
| Connection diagram: Sucking | 0301-1-0035 | Page 146 |
| Blowing | 0301-1-0029 | |
| Accessories | | Page 134 |
| Compliant to standards | | Page 28 |

Diameter:

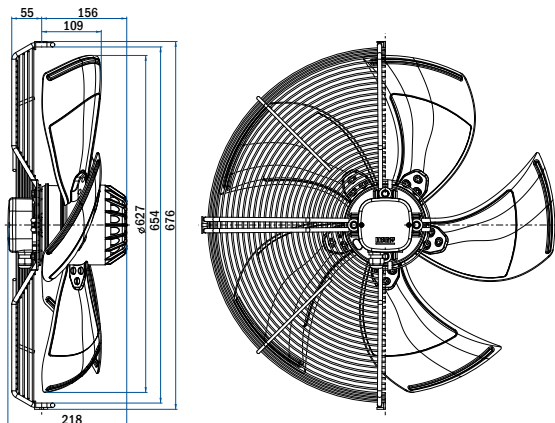
630 mm

R13_-6330H_-6T2-7042



Fan with guard grill

| Airflow Direction | Type | Code | Weight (kg) |
|-------------------|----------------------|-------------|-------------|
| Sucking | R13R-6330HA-6T2-7042 | 0313-4-1000 | 14.5 |
| Blowing | R13R-6330HP-6T2-7042 | On request | |



Fan with plate

| Airflow Direction | Type | Code | Weight (kg) |
|-------------------|----------------------|-------------|-------------|
| Sucking | R13P-6330HA-6T2-7042 | 0313-4-1013 | 23.3 |
| Blowing | R13P-6330HP-6T2-7042 | On request | |

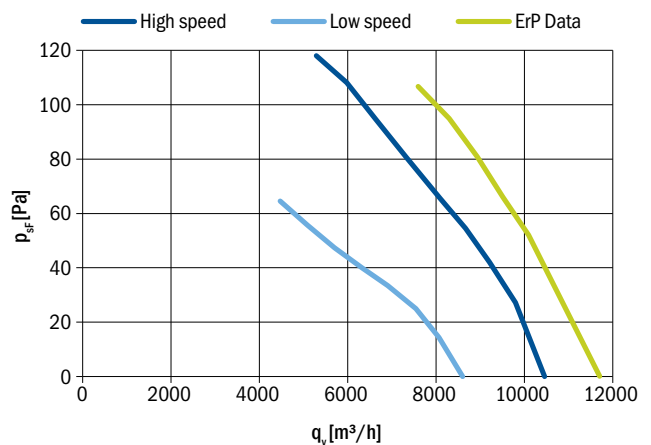
Fan without guard grill

| Airflow Direction | Type | Code | Weight (kg) |
|-------------------|----------------------|-------------|-------------|
| Sucking | R13E-6330HA-6T2-7042 | 0313-4-1042 | 10.8 |
| Blowing | R13E-6330HP-6T2-7042 | On request | |

| Nominal data according to standard EN 60335: | |
|--|--------------|
| Phase | 3~ |
| Nominal voltage | 400 V |
| Frequency | 50 Hz |
| Speed | high/low |
| Rated power input | 600/380 W |
| Rated current | 1.25/0.65 A |
| Rated speed | 870/640 RPM |
| Min. ambient temperature | -30 °C |
| Max. ambient temperature | 40 °C |
| Sound power level A weighted | 77/73 dB (A) |
| Connection | terminal box |
| Insulation class | 155 |
| Protection class | IP54 |

| ErP data according to EU regulation 327/2011: | |
|---|------------------------|
| Overall efficiency | 31.8 % |
| Measurement category | A |
| Efficiency category | static |
| Efficiency grade N | 39.2 |
| Variable speed drive | NO |
| Power input | 680 W |
| Air flow | 7593 m ³ /h |
| Pressure drop | 107 Pa |
| Speed | 877 RPM |
| Specific ratio | 1.00 |

Aerodynamic characteristic



Fan characteristic measured in full bell mouth with guard grill
ErP characteristic measured in full bell mouth without guard grill

| General notes | | |
|-----------------------------|-------------|----------|
| Connection diagram: Sucking | 0301-1-0033 | Page 147 |
| Blowing | 0301-1-0033 | |
| Accessories | | Page 134 |
| Compliant to standards | | Page 28 |

R13_-6330H_-8T2-7038

Diameter:

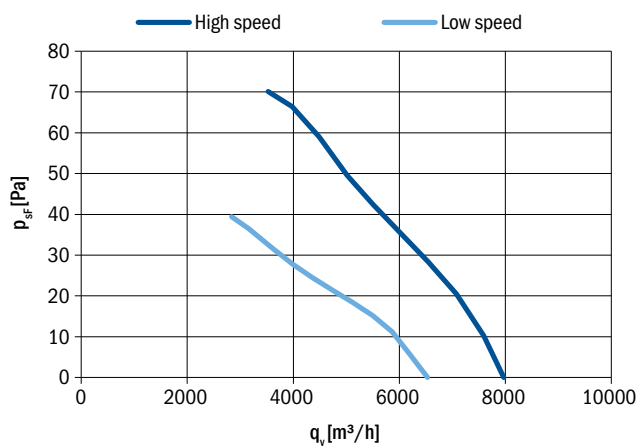
630 mm

Nominal data according to standard EN 60335:

| | |
|------------------------------|--------------|
| Phase | 3~ |
| Nominal voltage | 400 V |
| Frequency | 50 Hz |
| Speed | high/low |
| Rated power input | 280/175 W |
| Rated current | 0.68/0.30 A |
| Rated speed | 650/510 RPM |
| Min. ambient temperature | -30 °C |
| Max. ambient temperature | 70 °C |
| Sound power level A weighted | 71/66 dB (A) |
| Connection | terminal box |
| Insulation class | 155 |
| Protection class | IP54 |



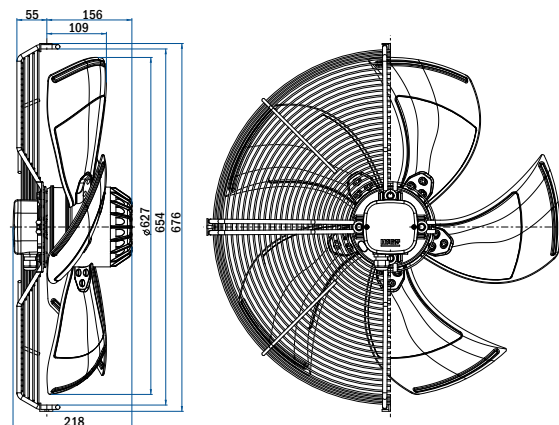
Aerodynamic characteristic



Fan characteristic measured in full bell mouth with guard grill

Fan with guard grill

| Airflow Direction | Type | Code | Weight (kg) |
|-------------------|----------------------|-------------|-------------|
| Sucking | R13R-6330HA-8T2-7038 | 0313-4-1023 | 14.5 |
| Blowing | R13R-6330HP-8T2-7038 | On request | |



Fan with plate

| Airflow Direction | Type | Code | Weight (kg) |
|-------------------|----------------------|-------------|-------------|
| Sucking | R13P-6330HA-8T2-7038 | 0313-4-1030 | 23.3 |
| Blowing | R13P-6330HP-8T2-7038 | On request | |

Fan without guard grill

| Airflow Direction | Type | Code | Weight (kg) |
|-------------------|----------------------|-------------|-------------|
| Sucking | R13E-6330HA-8T2-7038 | 0313-4-1043 | 10.8 |
| Blowing | R13E-6330HP-8T2-7038 | On request | |

General notes

| | | |
|-----------------------------|-------------|----------|
| Connection diagram: Sucking | 0301-1-0033 | Page 147 |
| Blowing | 0301-1-0033 | |
| Accessories | | Page 134 |
| Compliant to standards | | Page 28 |

Diameter:

630 mm

R13_-6330H_-12T2-7051



Nominal data according to standard EN 60335:

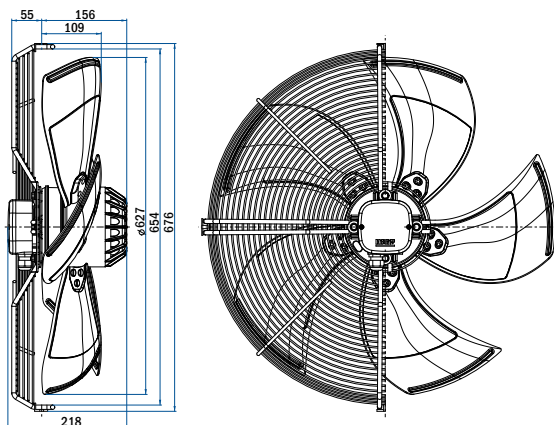
| | |
|------------------------------|--------------|
| Phase | 3~ |
| Nominal voltage | 400 V |
| Frequency | 50 Hz |
| Speed | high/low |
| Rated power input | 112/58 W |
| Rated current | 0.33/0.13 A |
| Rated speed | 430/330 RPM |
| Min. ambient temperature | -30 °C |
| Max. ambient temperature | 70 °C |
| Sound power level A weighted | 63/53 dB (A) |
| Connection | terminal box |
| Insulation class | 155 |
| Protection class | IP54 |

Is not subject to the EU regulation 327/2011.

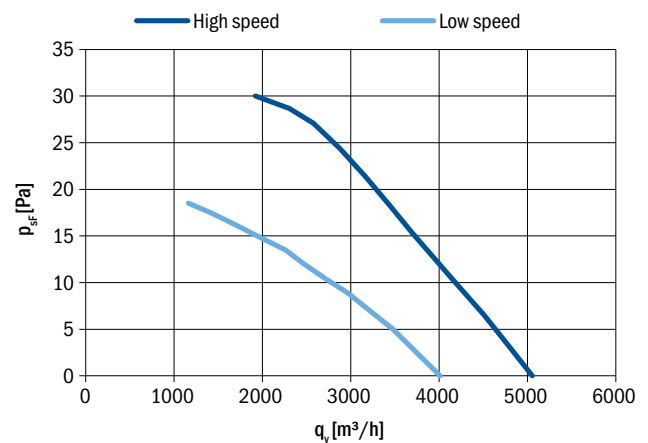
Power input lower than 125 W.

Fan with guard grill

| Airflow Direction | Type | Code | Weight (kg) |
|-------------------|-----------------------|-------------|-------------|
| Sucking | R13R-6330HA-12T2-7051 | 0313-4-1041 | 14.5 |
| Blowing | R13R-6330HP-12T2-7051 | On request | |



Aerodynamic characteristic



Fan characteristic measured in full bell mouth with guard grill

Fan with plate

| Airflow Direction | Type | Code | Weight (kg) |
|-------------------|-----------------------|-------------|-------------|
| Sucking | R13P-6330HA-12T2-7051 | 0313-4-1037 | 23.3 |
| Blowing | R13P-6330HP-12T2-7051 | On request | |

Fan without guard grill

| Airflow Direction | Type | Code | Weight (kg) |
|-------------------|-----------------------|-------------|-------------|
| Sucking | R13E-6330HA-12T2-7051 | 0313-4-1044 | 10.8 |
| Blowing | R13E-6330HP-12T2-7051 | On request | |

General notes

| | | |
|-----------------------------|-------------|----------|
| Connection diagram: Sucking | 0301-1-0033 | Page 147 |
| Blowing | 0301-1-0033 | |
| Accessories | | Page 134 |
| Compliant to standards | | Page 28 |

R18_-6330H_-4T2-X003

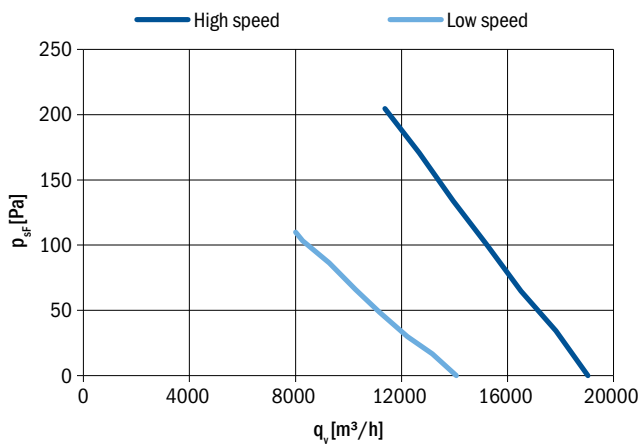
Diameter:

630 mm

Nominal data according to standard EN 60335:

| | |
|------------------------------|---------------|
| Phase | 3~ |
| Nominal voltage | 400 V |
| Frequency | 50 Hz |
| Speed | high/low |
| Rated power input | 2350/1360 W |
| Rated current | 4.65/2.75 A |
| Rated speed | 1360/1000 RPM |
| Min. ambient temperature | -30 °C |
| Max. ambient temperature | 50 °C |
| Sound power level A weighted | 89/83 dB (A) |
| Connection | terminal box |
| Insulation class | 155 |
| Protection class | IP54 |

Aerodynamic characteristic

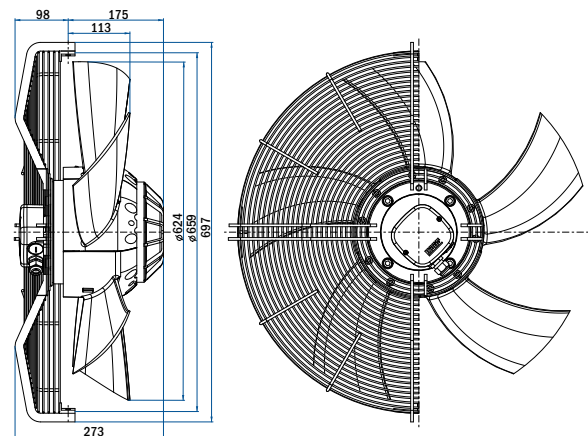


Fan characteristic measured in full bell mouth with guard grill



Fan with guard grill

| Airflow Direction | Type | Code | Weight (kg) |
|-------------------|----------------------|-------------|-------------|
| Sucking | R18R-6330HA-4T2-X003 | 0318-4-1014 | 30.5 |



Fan with plate

| Airflow Direction | Type | Code | Weight (kg) |
|-------------------|----------------------|-------------|-------------|
| Sucking | R18P-6330HA-4T2-X003 | 0318-4-0020 | 39.0 |

Fan without guard grill

| Airflow Direction | Type | Code | Weight (kg) |
|-------------------|----------------------|-------------|-------------|
| Sucking | R18E-6330HA-4T2-X003 | 0318-4-0010 | 26.0 |

General notes

| | | |
|------------------------|-------------|----------|
| Connection diagram | 0301-1-0031 | Page 147 |
| Accessories | | Page 134 |
| Compliant to standards | | Page 28 |

Diameter:

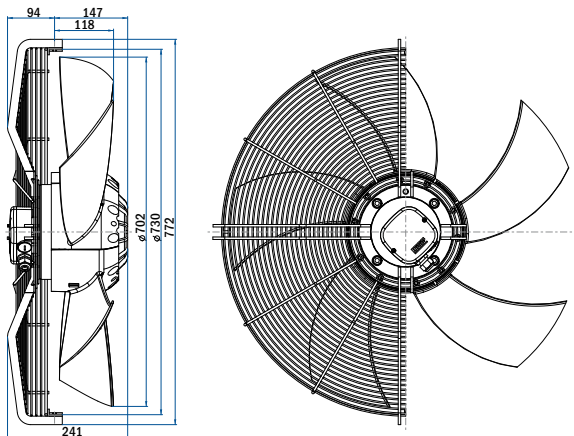
710 mm

R18_-7130H_-6T2-7502



Fan with guard grill

| Airflow Direction | Type | Code | Weight (kg) |
|-------------------|----------------------|-------------|-------------|
| Sucking | R18R-7130HA-6T2-7502 | 0318-4-0007 | 27.2 |



Fan with plate

| Airflow Direction | Type | Code | Weight (kg) |
|-------------------|----------------------|-------------|-------------|
| Sucking | R18P-7130HA-6T2-7502 | 0318-4-0003 | 34.9 |

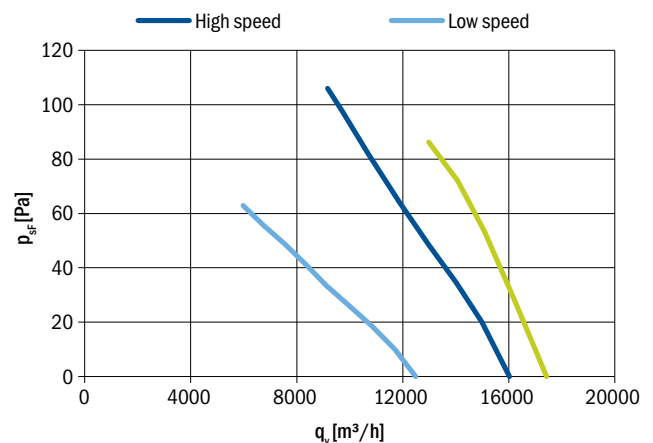
Fan without guard grill

| Airflow Direction | Type | Code | Weight (kg) |
|-------------------|----------------------|-------------|-------------|
| Sucking | R18E-7130HA-6T2-7502 | 0318-4-0016 | 22.0 |

| Nominal data according to standard EN 60335: | |
|--|--------------|
| Phase | 3~ |
| Nominal voltage | 400 V |
| Frequency | 50 Hz |
| Speed | high/low |
| Rated power input | 990/650 W |
| Rated current | 1.90/1.20 A |
| Rated speed | 870/620 RPM |
| Min. ambient temperature | -30 °C |
| Max. ambient temperature | 70 °C |
| Sound power level A weighted | 78/74 dB (A) |
| Connection | terminal box |
| Insulation class | 155 |
| Protection class | IP54 |

| ErP data according to EU regulation 327/2011: | |
|---|-------------------------|
| Overall efficiency | 29.8 % |
| Measurement category | A |
| Efficiency category | static |
| Efficiency grade N | 36.1 |
| Variable speed drive | NO |
| Power input | 998 W |
| Air flow | 12977 m ³ /h |
| Pressure drop | 86 Pa |
| Speed | 888 RPM |
| Specific ratio | 1.00 |

Aerodynamic characteristic



Fan characteristic measured in full bell mouth with guard grill
ErP characteristic measured in full bell mouth without guard grill

| General notes | | |
|------------------------|-------------|----------|
| Connection diagram | 0301-1-0031 | Page 147 |
| Accessories | | Page 134 |
| Compliant to standards | | Page 28 |

R18_-8030H_-6T2-X004

Diameter:

800 mm

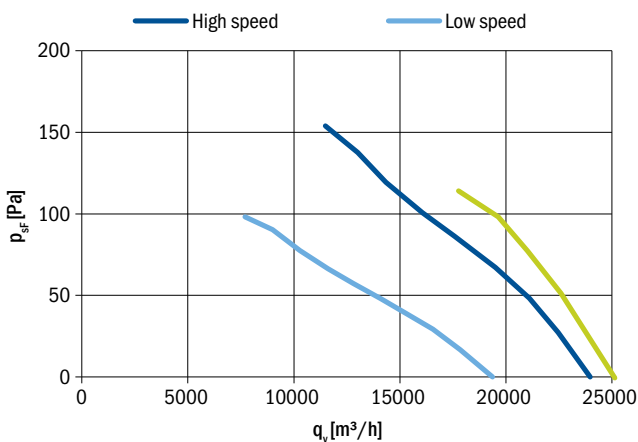
Nominal data according to standard EN 60335:

| | |
|------------------------------|--------------|
| Phase | 3~ |
| Nominal voltage | 400 V |
| Frequency | 50 Hz |
| Speed | high/low |
| Rated power input | 1560/1050 W |
| Rated current | 3.50/2.00 A |
| Rated speed | 900/700 RPM |
| Min. ambient temperature | -30 °C |
| Max. ambient temperature | 60 °C |
| Sound power level A weighted | 82/77 dB (A) |
| Connection | terminal box |
| Insulation class | 155 |
| Protection class | IP54 |

ErP data according to EU regulation 327/2011:

| | |
|----------------------|------------|
| Overall efficiency | 31.6 % |
| Measurement category | A |
| Efficiency category | static |
| Efficiency grade N | 36.5 |
| Variable speed drive | NO |
| Power input | 1716 W |
| Air flow | 17772 m³/h |
| Pressure drop | 114 Pa |
| Speed | 912 RPM |
| Specific ratio | 1.00 |

Aerodynamic characteristic



Fan characteristic measured in full bell mouth with guard grill
ErP characteristic measured in full bell mouth without guard grill

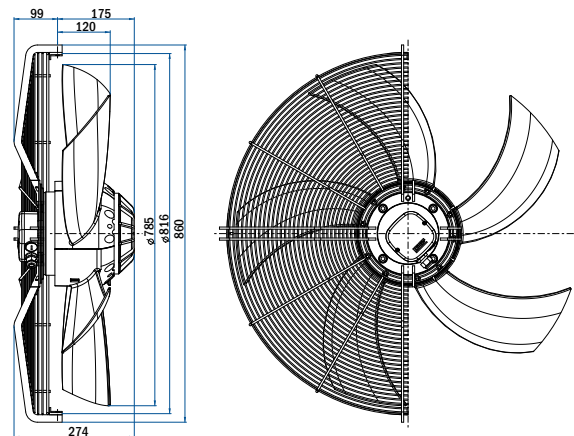
General notes

| | | |
|------------------------|-------------|----------|
| Connection diagram | 0301-1-0031 | Page 147 |
| Accessories | | Page 134 |
| Compliant to standards | | Page 28 |



Fan with guard grill

| Airflow Direction | Type | Code | Weight (kg) |
|-------------------|----------------------|-------------|-------------|
| Sucking | R18R-8030HA-6T2-X004 | 0318-4-0026 | 32.8 |



Fan with plate

| Airflow Direction | Type | Code | Weight (kg) |
|-------------------|----------------------|-------------|-------------|
| Sucking | R18P-8030HA-6T2-X004 | 0318-4-0028 | 45.7 |

Fan without guard grill

| Airflow Direction | Type | Code | Weight (kg) |
|-------------------|----------------------|-------------|-------------|
| Sucking | R18E-8030HA-6T2-X004 | 0318-4-0029 | 27.0 |

Diameter:

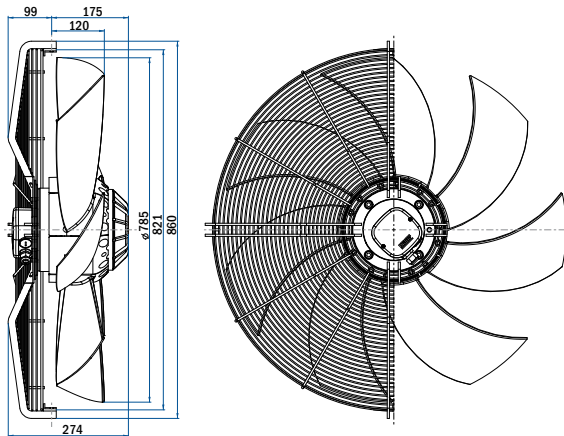
800 mm

R18_-8030H_-6T2-X001



Fan with guard grill

| Airflow Direction | Type | Code | Weight (kg) |
|-------------------|----------------------|-------------|-------------|
| Sucking | R18R-8030HA-6T2-X001 | 0318-4-0005 | 34.8 |



Fan with plate

| Airflow Direction | Type | Code | Weight (kg) |
|-------------------|----------------------|-------------|-------------|
| Sucking | R18P-8030HA-6T2-X001 | 0318-4-0001 | 47.7 |

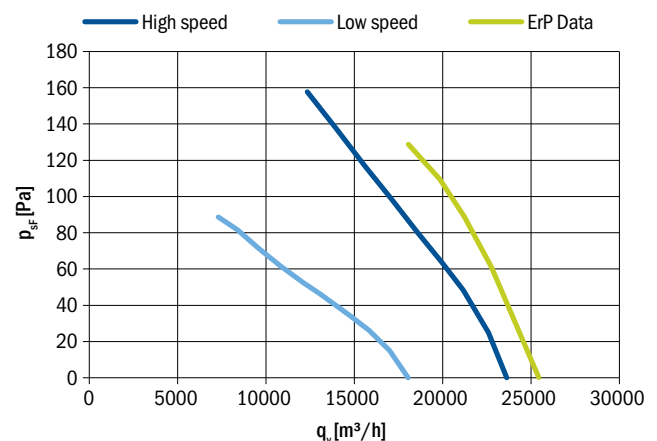
Fan without guard grill

| Airflow Direction | Type | Code | Weight (kg) |
|-------------------|----------------------|-------------|-------------|
| Sucking | R18E-8030HA-6T2-X001 | 0318-4-0009 | 29.0 |

| Nominal data according to standard EN 60335: | |
|--|--------------|
| Phase | 3~ |
| Nominal voltage | 400 V |
| Frequency | 50 Hz |
| Speed | high/low |
| Rated power input | 2000/1050 W |
| Rated current | 4.0/2.3 A |
| Rated speed | 890/630 RPM |
| Min. ambient temperature | -30 °C |
| Max. ambient temperature | 50 °C |
| Sound power level A weighted | 81/75 dB (A) |
| Connection | terminal box |
| Insulation class | 155 |
| Protection class | IP54 |

| ErP data according to EU regulation 327/2011: | |
|---|-------------------------|
| Overall efficiency | 31.7 % |
| Measurement category | A |
| Efficiency category | static |
| Efficiency grade N | 36.1 |
| Variable speed drive | NO |
| Power input | 2032 W |
| Air flow | 18059 m ³ /h |
| Pressure drop | 129 Pa |
| Speed | 890 RPM |
| Specific ratio | 1.00 |

Aerodynamic characteristic



Fan characteristic measured in full bell mouth with guard grill
ErP characteristic measured in full bell mouth without guard grill

General notes

| | | |
|------------------------|-------------|----------|
| Connection diagram | 0301-1-0031 | Page 147 |
| Accessories | | Page 134 |
| Compliant to standards | | Page 28 |

R18_-8030H_-8T2-X000

Diameter:

800 mm

Nominal data according to standard EN 60335:

| | |
|------------------------------|----------------|
| Phase | 3~ |
| Nominal voltage | 400 V |
| Frequency | 50 Hz |
| Speed | high/low |
| Rated power input | 920/600 W |
| Rated current | 2.3/1.15 A |
| Rated speed | 680/560 RPM |
| Min. ambient temperature | -30 °C |
| Max. ambient temperature | 60 °C |
| Sound power level A weighted | 77/69.5 dB (A) |
| Connection | terminal box |
| Insulation class | 155 |
| Protection class | IP54 |

ErP data according to EU regulation 327/2011:

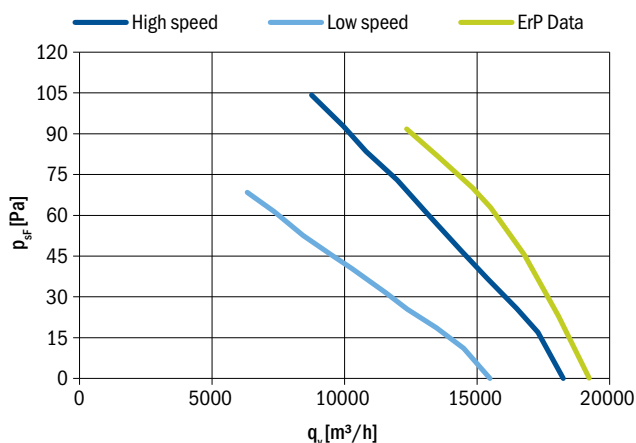
| | |
|----------------------|------------|
| Overall efficiency | 30.8 % |
| Measurement category | A |
| Efficiency category | static |
| Efficiency grade N | 37.2 |
| Variable speed drive | NO |
| Power input | 984 W |
| Air flow | 12343 m³/h |
| Pressure drop | 92 Pa |
| Speed | 687 RPM |
| Specific ratio | 1.00 |



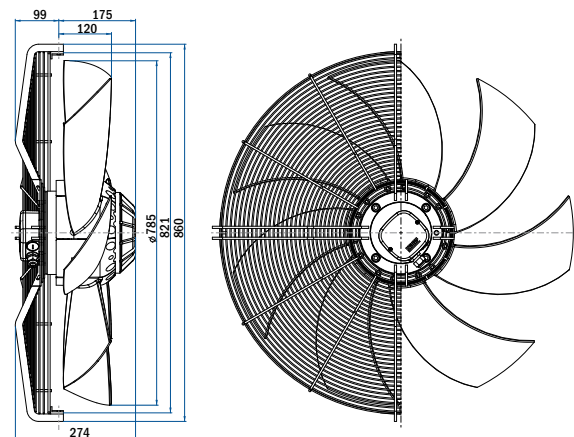
Fan with guard grill

| Airflow Direction | Type | Code | Weight (kg) |
|-------------------|----------------------|-------------|-------------|
| Sucking | R18R-8030HA-8T2-X000 | 0318-4-0004 | 34.8 |

Aerodynamic characteristic



Fan characteristic measured in full bell mouth with guard grill
ErP characteristic measured in full bell mouth without guard grill



Fan with plate

| Airflow Direction | Type | Code | Weight (kg) |
|-------------------|----------------------|-------------|-------------|
| Sucking | R18P-8030HA-8T2-X000 | 0318-4-0000 | 47.7 |

Fan without guard grill

| Airflow Direction | Type | Code | Weight (kg) |
|-------------------|----------------------|-------------|-------------|
| Sucking | R18E-8030HA-8T2-X000 | 0318-4-0008 | 29.0 |

General notes

| | | |
|------------------------|-------------|----------|
| Connection diagram | 0301-1-0031 | Page 147 |
| Accessories | | Page 134 |
| Compliant to standards | | Page 28 |

Diameter:

800 mm

R18_-8030H_-12T2-7505

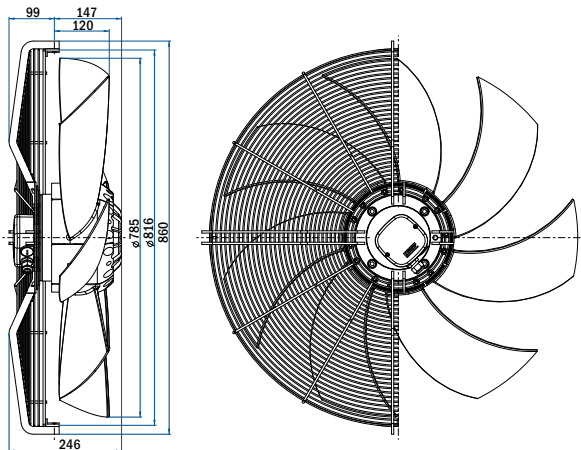


Nominal data according to standard EN 60335:

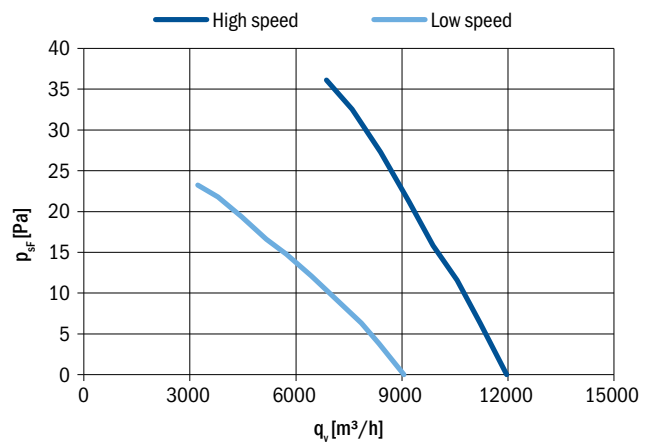
| | |
|------------------------------|--------------|
| Phase | 3~ |
| Nominal voltage | 400 V |
| Frequency | 50 Hz |
| Speed | high/low |
| Rated power input | 330/170 W |
| Rated current | 1.20/0.50 A |
| Rated speed | 450/320 RPM |
| Min. ambient temperature | -30 °C |
| Max. ambient temperature | 70 °C |
| Sound power level A weighted | 66/58 dB (A) |
| Connection | terminal box |
| Insulation class | 155 |
| Protection class | IP54 |

Fan with guard grill

| Airflow Direction | Type | Code | Weight (kg) |
|-------------------|-----------------------|-------------|-------------|
| Sucking | R18R-8030HA-12T2-7505 | 0318-4-0017 | 34.8 |



Aerodynamic characteristic



Fan characteristic measured in full bell mouth with guard grill

Fan with plate

| Airflow Direction | Type | Code | Weight (kg) |
|-------------------|-----------------------|-------------|-------------|
| Sucking | R18P-8030HA-12T2-7505 | 0318-4-0032 | 47.7 |

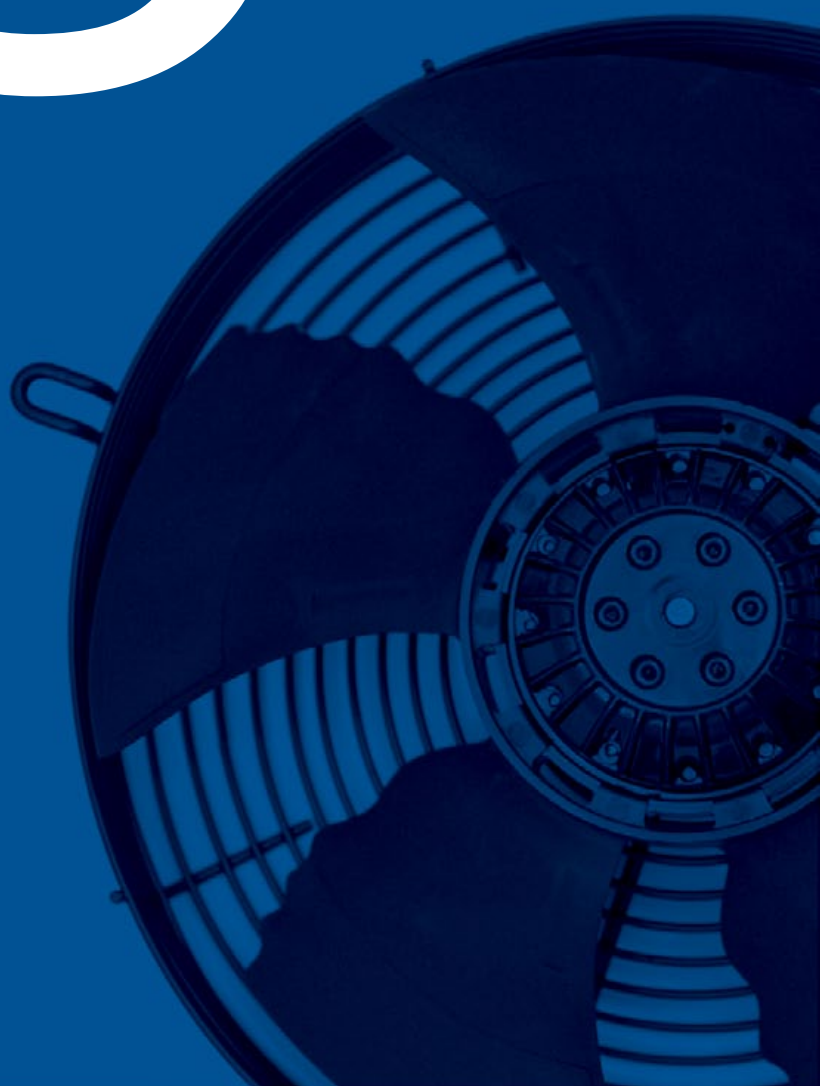
Fan without guard grill

| Airflow Direction | Type | Code | Weight (kg) |
|-------------------|-----------------------|-------------|-------------|
| Sucking | R18E-8030HA-12T2-7505 | 0318-4-0033 | 29.0 |

General notes

| | | |
|------------------------|-------------|----------|
| Connection diagram | 0301-1-0031 | Page 147 |
| Accessories | | Page 134 |
| Compliant to standards | | Page 28 |

03





AC Axial fans Plastic blades

EC AXIAL FANS

AC AXIAL FANS
SICKLED BLADES

AC AXIAL FANS
PLASTIC BLADES

AC AXIAL FANS
PADDLE BLADES

AC RADIAL FANS
BACKWARD CURVED BLADES

ACCESSORIES

CONNECTION DIAGRAMS

Axial fans with induction (AC) motors and plastic blades



Plastic blades (SP)
Diameter: 300 mm



Plastic blades (AP)
Diameters: 400 – 450 mm



Plastic blades (SP, LP)
Diameters: 400 – 450 mm

Example of type key:

R11R-45SPS-4T2-5745

- R11** External rotor motor type (R09, R11)
- R** Accessory type (E - without guard grill, R - with guard grill, P - with guard grill and wall plate)
- 45** Fan diameter x 10 (exact diameters are stated in drawings)
- SP** Type of blades (AP, KP, LP, SP)
- S** Airflow direction (S - sucking, B - blowing)
- 4** Number of motor poles
- T** Number of phases (M - single phase, T - three phase)
- 2** Number of motor speed
- 57** Motor stack height
- 45** Version of electrical construction

Diameter:

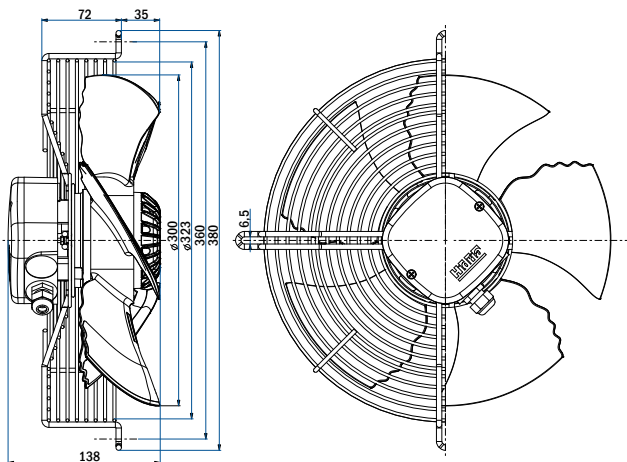
300 mm

R09_-30SP_-4M-2543



Fan with guard grill

| Airflow Direction | Type | Code | Weight (kg) |
|-------------------|--------------------|-------------|-------------|
| Sucking | R09R-30SPS-4M-2543 | 0309-4-1091 | 3.0 |
| Blowing | R09R-30SPB-4M-2543 | 0309-4-1092 | |



Fan with plate

| Airflow Direction | Type | Code | Weight (kg) |
|-------------------|--------------------|------------|-------------|
| Sucking | R09P-30SPS-4M-2543 | On request | |
| Blowing | R09P-30SPB-4M-2543 | On request | |

Fan without guard grill

| Airflow Direction | Type | Code | Weight (kg) |
|-------------------|--------------------|------------|-------------|
| Sucking | R09E-30SPS-4M-2543 | On request | |
| Blowing | R09E-30SPB-4M-2543 | On request | |

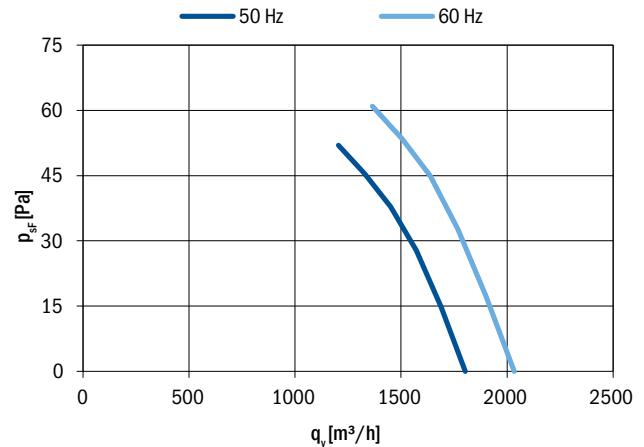
| Nominal data according to standard EN 60335: | |
|--|---------------|
| Phase | 1~ |
| Nominal voltage | 230 V |
| Frequency | 50/60 Hz |
| Rated power input | 65/90 W |
| Rated current | 0.30/0.40 A |
| Rated speed | 1400/1500 RPM |
| Min. ambient temperature | -30 °C |
| Max. ambient temperature | 70 °C |
| Sound power level A weighted | 65/70 dB (A) |
| Condensator | 2 µF/450 V |
| Connection | terminal box |
| Insulation class | 155 |
| Protection class | IP54 |

ErP data according to EU regulation 327/2011:

Is not subject to the EU regulation 327/2011.

Power input lower than 125 W.

Aerodynamic characteristic



Fan characteristic measured in full bell mouth with guard grill

General notes

| | | |
|-----------------------------|-------------|----------|
| Connection diagram: Sucking | 0301-1-0043 | Page 145 |
| Blowing | 0301-1-0044 | |
| Accessories | | Page 134 |
| Compliant to standards | | Page 28 |

R11_-35KP_-4M-3808

Diameter:

350 mm

Nominal data according to standard EN 60335:

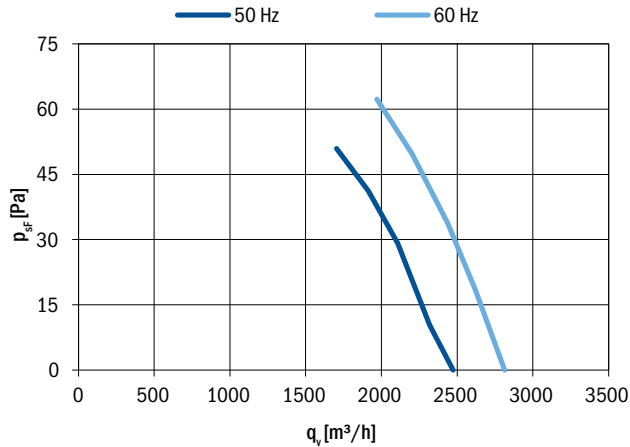
| | |
|------------------------------|---------------|
| Phase | 1~ |
| Nominal voltage | 230 V |
| Frequency | 50/60 Hz |
| Rated power input | 110/145 W |
| Rated current | 0.45/0.65 A |
| Rated speed | 1360/1490 RPM |
| Min. ambient temperature | -30 °C |
| Max. ambient temperature | 55 °C |
| Sound power level A weighted | 65/69 dB (A) |
| Condensator | 4 µF/450 V |
| Connection | terminal box |
| Insulation class | 155 |
| Protection class | IP54 |

ErP data according to EU regulation 327/2011:

Is not subject to the EU regulation 327/2011.

Power input lower than 125 W.

Aerodynamic characteristic

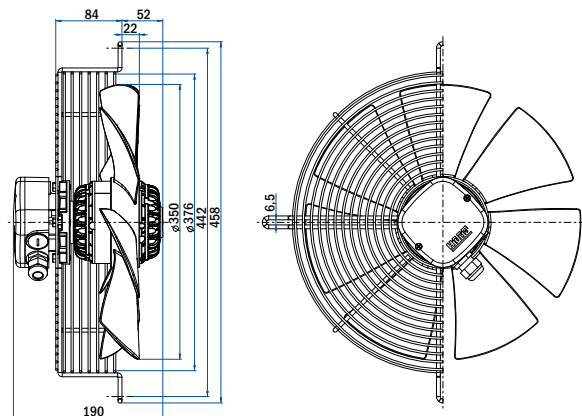


Fan characteristic measured in full bell mouth with guard grill



Fan with guard grill

| Airflow Direction | Type | Code | Weight (kg) |
|-------------------|--------------------|-------------|-------------|
| Sucking | R11R-35KPA-4M-3808 | 0311-4-0243 | 5.5 |
| Blowing | R11R-35KPP-4M-3808 | On request | |



Fan with plate

| Airflow Direction | Type | Code | Weight (kg) |
|-------------------|--------------------|------------|-------------|
| Sucking | R11P-35KPA-4M-3808 | On request | |
| Blowing | R11P-35KPP-4M-3808 | On request | |

Fan without guard grill

| Airflow Direction | Type | Code | Weight (kg) |
|-------------------|--------------------|------------|-------------|
| Sucking | R11E-35KPA-4M-3808 | On request | |
| Blowing | R11E-35KPP-4M-3808 | On request | |

General notes

| | | |
|-----------------------------|-------------|----------|
| Connection diagram: Sucking | 0301-1-0043 | Page 145 |
| Blowing | 0301-1-0044 | |
| Accessories | | Page 134 |
| Compliant to standards | | Page 28 |

Diameter:

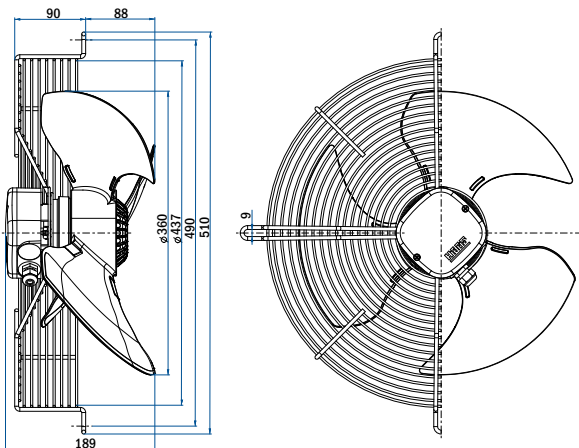
360 mm

R09_-36LP_-6M-4249



Fan with guard grill

| Airflow Direction | Type | Code | Weight (kg) |
|-------------------|--------------------|-------------|-------------|
| Sucking | R09R-36LPS-6M-4249 | 0309-4-0436 | 3.8 |



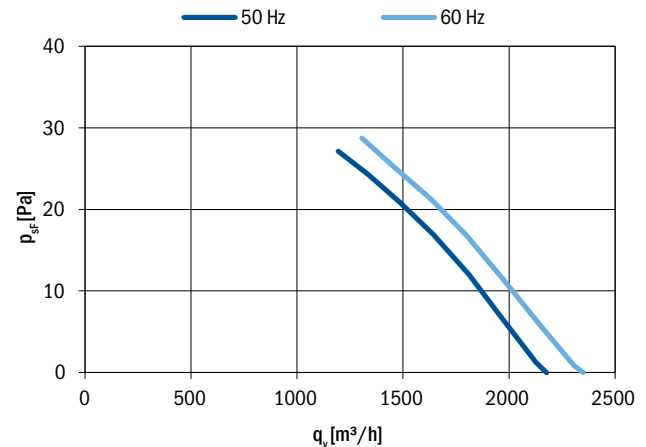
| Nominal data according to standard EN 60335: | |
|--|----------------|
| Phase | 1~ |
| Nominal voltage | 230 V |
| Frequency | 50/60 Hz |
| Rated power input | 65/70 W |
| Rated current | 0.30/0.32 A |
| Rated speed | 830/900 RPM |
| Min. ambient temperature | -30 °C |
| Max. ambient temperature | 60 °C |
| Sound power level A weighted | 52 / 55 dB (A) |
| Condensator | 1.5 µF/450 V |
| Connection | terminal box |
| Insulation class | 155 |
| Protection class | IP54 |

ErP data according to EU regulation 327/2011:

Is not subject to the EU regulation 327/2011.

Power input lower than 125 W.

Aerodynamic characteristic



Fan characteristic measured in full bell mouth with guard grill

Fan with plate

| Airflow Direction | Type | Code | Weight (kg) |
|-------------------|--------------------|------------|-------------|
| Sucking | R09P-36LPS-6M-4249 | On request | |

Fan without guard grill

| Airflow Direction | Type | Code | Weight (kg) |
|-------------------|--------------------|------------|-------------|
| Sucking | R09E-36LPS-6M-4249 | On request | |

General notes

| | | |
|------------------------|-------------|----------|
| Connection diagram | 0301-1-0044 | Page 145 |
| Accessories | | Page 134 |
| Compliant to standards | | Page 28 |

R11_-40LP_-4M-5150

Diameter:

400 mm

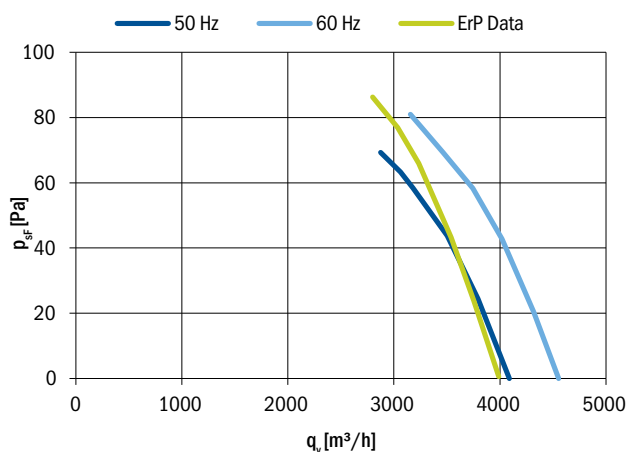
Nominal data according to standard EN 60335:

| | |
|------------------------------|---------------|
| Phase | 1~ |
| Nominal voltage | 230 V |
| Frequency | 50/60 Hz |
| Rated power input | 190/260 W |
| Rated current | 0.85/1.10 A |
| Rated speed | 1310/1450 RPM |
| Min. ambient temperature | -30 °C |
| Max. ambient temperature | 60 °C |
| Sound power level A weighted | 73/76 dB (A) |
| Condensator | 6.3 µF/450 V |
| Connection | terminal box |
| Insulation class | 155 |
| Protection class | IP54 |

ErP data according to EU regulation 327/2011:

| | |
|----------------------|-----------|
| Overall efficiency | 30.9 % |
| Measurement category | A |
| Efficiency category | static |
| Efficiency grade N | 41.5 |
| Variable speed drive | NO |
| Power input | 208 W |
| Air flow | 2800 m³/h |
| Pressure drop | 86 Pa |
| Speed | 1314 RPM |
| Specific ratio | 1.00 |

Aerodynamic characteristic



Fan characteristic measured in short bell mouth with guard grill
ErP characteristic measured in full bell mouth without guard grill

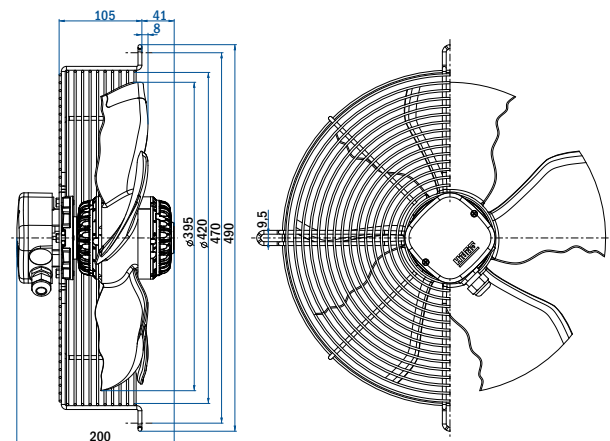
General notes

| | | |
|-----------------------------|-------------|----------|
| Connection diagram: Sucking | 0301-1-0044 | Page 145 |
| Blowing | 0301-1-0043 | |
| Accessories | | Page 134 |
| Compliant to standards | | Page 28 |



Fan with guard grill

| Airflow Direction | Type | Code | Weight (kg) |
|-------------------|--------------------|-------------|-------------|
| Sucking | R11R-40LPS-4M-5150 | 0311-4-0313 | 6.0 |
| Blowing | R11R-40LPB-4M-5150 | 0311-4-0342 | |



Fan with plate

| Airflow Direction | Type | Code | Weight (kg) |
|-------------------|--------------------|------------|-------------|
| Sucking | R11P-40LPS-4M-5150 | On request | |
| Blowing | R11P-35KPP-4M-3808 | On request | |

Fan without guard grill

| Airflow Direction | Type | Code | Weight (kg) |
|-------------------|--------------------|------------|-------------|
| Sucking | R11P-40LPB-4M-5150 | On request | |
| Blowing | R11E-40LPB-4M-5150 | On request | |

Diameter:

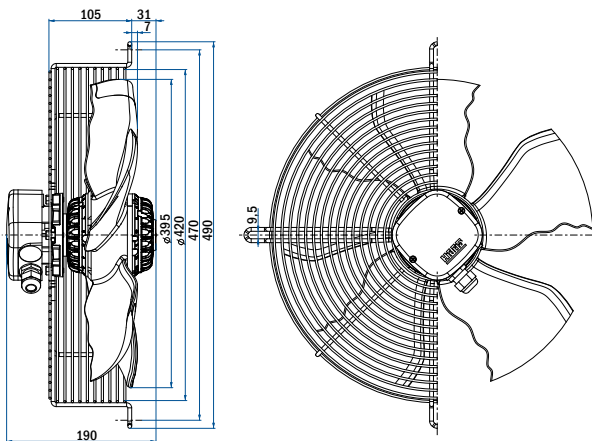
400 mm

R11_-40LP_-6M-3806



Fan with guard grill

| Airflow Direction | Type | Code | Weight (kg) |
|-------------------|--------------------|------------|-------------|
| Sucking | R11R-40LPS-6M-3806 | On request | |
| Blowing | R11R-40LPB-6M-3806 | On request | |



Fan with plate

| Airflow Direction | Type | Code | Weight (kg) |
|-------------------|--------------------|------------|-------------|
| Sucking | R11P-40LPS-6M-3806 | On request | |
| Blowing | R11P-40LPB-6M-3806 | On request | |

Fan without guard grill

| Airflow Direction | Type | Code | Weight (kg) |
|-------------------|--------------------|------------|-------------|
| Sucking | R11P-40LPS-6M-3806 | On request | |
| Blowing | R09E-30SPB-4M-2543 | On request | |

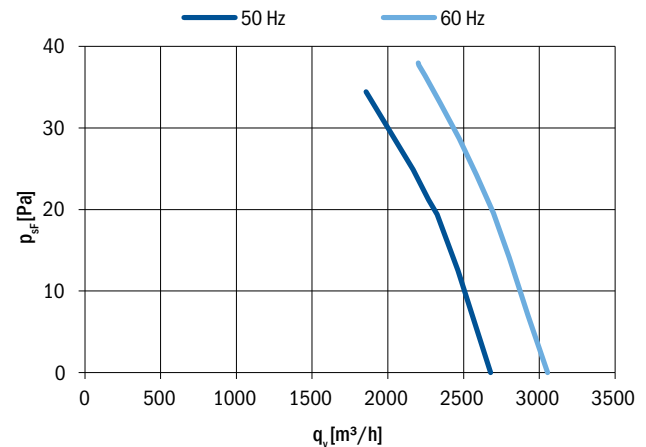
| Nominal data according to standard EN 60335: | |
|--|---------------|
| Phase | 1~ |
| Nominal voltage | 230 V |
| Frequency | 50/60 Hz |
| Rated power input | 85/110 W |
| Rated current | 0.38/0.48 A |
| Rated speed | 870/980 RPM |
| Min. ambient temperature | -30 °C |
| Max. ambient temperature | 60 °C |
| Sound power level A weighted | |
| Condensator | 3.15 µF/450 V |
| Connection | terminal box |
| Insulation class | 155 |
| Protection class | IP54 |

ErP data according to EU regulation 327/2011:

Is not subject to the EU regulation 327/2011.

Power input lower than 125 W.

Aerodynamic characteristic



Fan characteristic measured in short bell mouth with guard grill

General notes

| | | |
|-----------------------------|-------------|----------|
| Connection diagram: Sucking | 0301-1-0043 | Page 145 |
| Blowing | 0301-1-0044 | |
| Accessories | | Page 134 |
| Compliant to standards | | Page 28 |

R11_-42LP_-4M-5150

Diameter:

420 mm

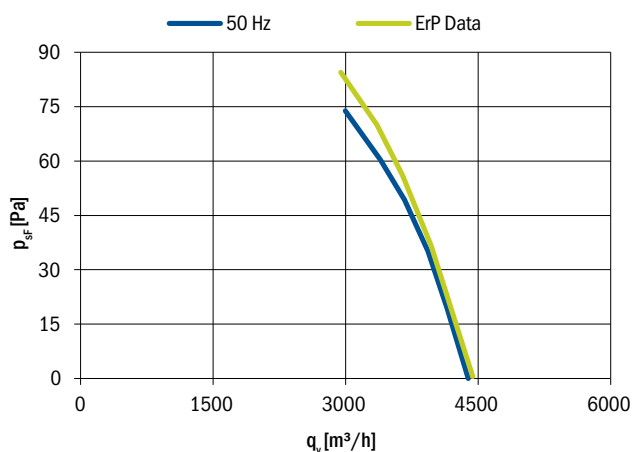
Nominal data according to standard EN 60335:

| | |
|------------------------------|--------------|
| Phase | 1~ |
| Nominal voltage | 230 V |
| Frequency | 50 Hz |
| Rated power input | 220 W |
| Rated current | 1.00 A |
| Rated speed | 1280 RPM |
| Min. ambient temperature | -30 °C |
| Max. ambient temperature | 60 °C |
| Sound power level A weighted | 76 dB (A) |
| Condensator | 6.3 µF/450 V |
| Connection | terminal box |
| Insulation class | 155 |
| Protection class | IP54 |

ErP data according to EU regulation 327/2011:

| | |
|----------------------|-----------|
| Overall efficiency | 28.9 % |
| Measurement category | A |
| Efficiency category | static |
| Efficiency grade N | 39.2 |
| Variable speed drive | NO |
| Power input | 231 W |
| Air flow | 2948 m³/h |
| Pressure drop | 84 Pa |
| Speed | 1259 RPM |
| Specific ratio | 1.00 |

Aerodynamic characteristic



Fan characteristic measured in short bell mouth with guard grill
ErP characteristic measured in full bell mouth without guard grill

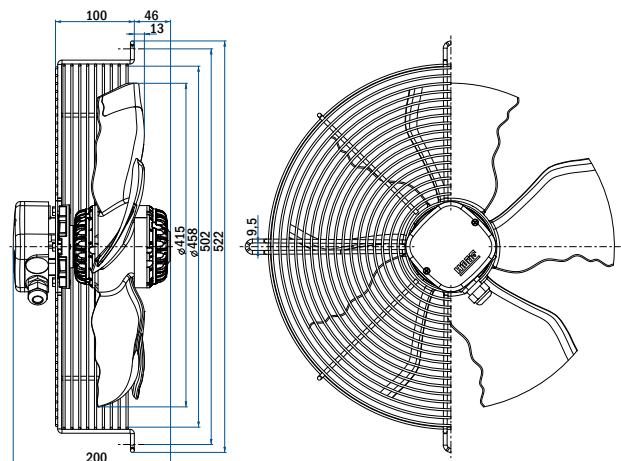
General notes

| | | |
|-----------------------------|-------------|----------|
| Connection diagram: Sucking | 0301-1-0044 | Page 145 |
| Blowing | 0301-1-0043 | |
| Accessories | | Page 134 |
| Compliant to standards | | Page 28 |



Fan with guard grill

| Airflow Direction | Type | Code | Weight (kg) |
|-------------------|--------------------|-------------|-------------|
| Sucking | R11R-42LPS-4M-5150 | 0311-4-0312 | 6.1 |
| Blowing | R11R-42LPB-4M-5150 | 0311-4-0310 | |



Fan with plate

| Airflow Direction | Type | Code | Weight (kg) |
|-------------------|--------------------|------------|-------------|
| Sucking | R11P-42LPS-4M-5150 | On request | |
| Blowing | R11P-42LPB-4M-5150 | On request | |

Fan without guard grill

| Airflow Direction | Type | Code | Weight (kg) |
|-------------------|--------------------|------------|-------------|
| Sucking | R11E-42LPS-4M-5150 | On request | |
| Blowing | R11E-42LPB-4M-5150 | On request | |

Diameter:

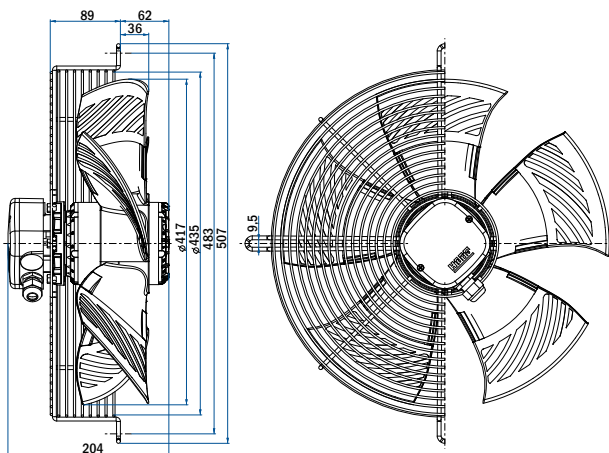
420 mm

R11_-42AP_-6M-5758



Fan with guard grill

| Airflow Direction | Type | Code | Weight (kg) |
|-------------------|--------------------|-------------|-------------|
| Sucking | R11R-42APS-6M-5758 | 0311-4-0462 | 6.8 |
| Blowing | R11R-42APB-6M-5758 | On request | |



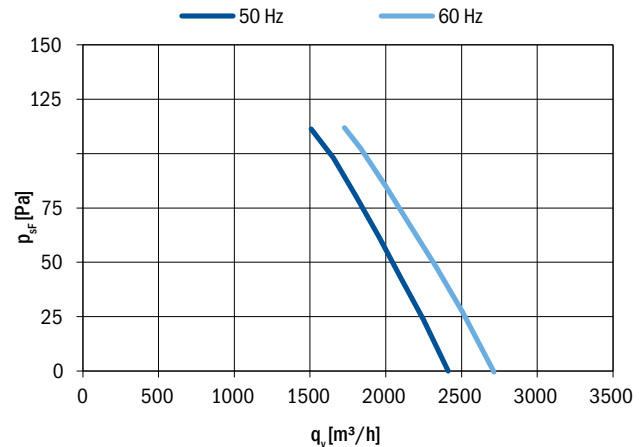
| Nominal data according to standard EN 60335: | |
|--|---------------|
| Phase | 1~ |
| Nominal voltage | 230 V |
| Frequency | 50/60 Hz |
| Rated power input | 120/165 W |
| Rated current | 0.52/0.72 A |
| Rated speed | 880/900 RPM |
| Min. ambient temperature | -30 °C |
| Max. ambient temperature | 70/55 °C |
| Sound power level A weighted | |
| Condensator | 3.15 µF/450 V |
| Connection | terminal box |
| Insulation class | 155 |
| Protection class | IP54 |

ErP data according to EU regulation 327/2011:

Is not subject to the EU regulation 327/2011.

Power input lower than 125 W.

Aerodynamic characteristic



Fan characteristic measured in short bell mouth with guard grill

Fan with plate

| Airflow Direction | Type | Code | Weight (kg) |
|-------------------|--------------------|------------|-------------|
| Sucking | R11P-42APS-6M-5758 | On request | |
| Blowing | R11P-42APB-6M-5758 | On request | |

Fan without guard grill

| Airflow Direction | Type | Code | Weight (kg) |
|-------------------|--------------------|------------|-------------|
| Sucking | R11E-42APS-6M-5758 | On request | |
| Blowing | R11E-42APB-6M-5758 | On request | |

General notes

| | | |
|-----------------------------|-------------|----------|
| Connection diagram: Sucking | 0301-1-0044 | Page 145 |
| Blowing | 0301-1-0043 | |
| Accessories | | Page 134 |
| Compliant to standards | | Page 28 |

R11_-45LP_-4M-5150

Diameter:

450 mm

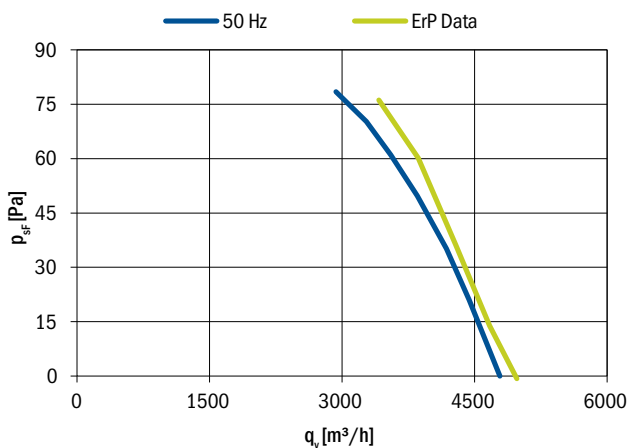
Nominal data according to standard EN 60335:

| | |
|------------------------------|--------------|
| Phase | 1~ |
| Nominal voltage | 230 V |
| Frequency | 50 Hz |
| Rated power input | 240 W |
| Rated current | 1.10 A |
| Rated speed | 1230 RPM |
| Min. ambient temperature | -30 °C |
| Max. ambient temperature | 50 °C |
| Sound power level A weighted | 78 dB (A) |
| Condensator | 6.3 µF/450 V |
| Connection | terminal box |
| Insulation class | 155 |
| Protection class | IP54 |

ErP data according to EU regulation 327/2011:

| | |
|----------------------|-----------|
| Overall efficiency | 26.6 % |
| Measurement category | A |
| Efficiency category | static |
| Efficiency grade N | 36.6 |
| Variable speed drive | NO |
| Power input | 258 W |
| Air flow | 3416 m³/h |
| Pressure drop | 76 Pa |
| Speed | 1207 RPM |
| Specific ratio | 1.00 |

Aerodynamic characteristic



Fan characteristic measured in short bell mouth with guard grill
ErP characteristic measured in full bell mouth without guard grill

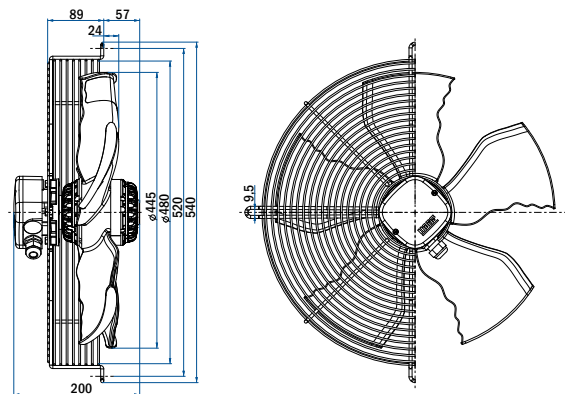
General notes

| | | |
|-----------------------------|-------------|----------|
| Connection diagram: Sucking | 0301-1-0044 | Page 145 |
| Blowing | 0301-1-0043 | |
| Accessories | | Page 134 |
| Compliant to standards | | Page 28 |



Fan with guard grill

| Airflow Direction | Type | Code | Weight (kg) |
|-------------------|--------------------|-------------|-------------|
| Sucking | R11R-45LPS-4M-5150 | 0311-4-0314 | 6.4 |
| Blowing | R11R-45LPB-4M-5150 | 0311-4-0343 | |



Fan with plate

| Airflow Direction | Type | Code | Weight (kg) |
|-------------------|--------------------|------------|-------------|
| Sucking | R11P-45LPS-4M-5150 | On request | |
| Blowing | R11P-45LPB-4M-5150 | On request | |

Fan without guard grill

| Airflow Direction | Type | Code | Weight (kg) |
|-------------------|--------------------|------------|-------------|
| Sucking | R11E-45LPS-4M-5150 | On request | |
| Blowing | R11E-45LPB-4M-5150 | On request | |

Diameter:

450 mm

R11_-45LP_-6M-5105

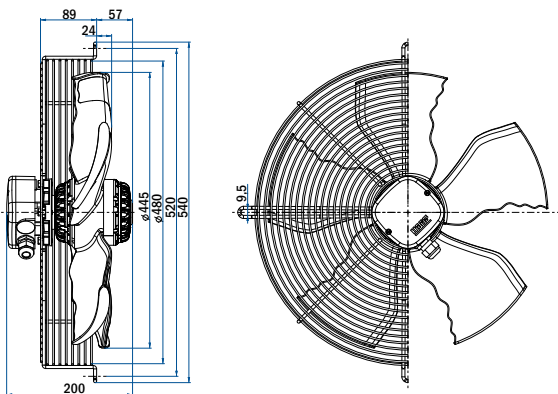


Nominal data according to standard EN 60335:

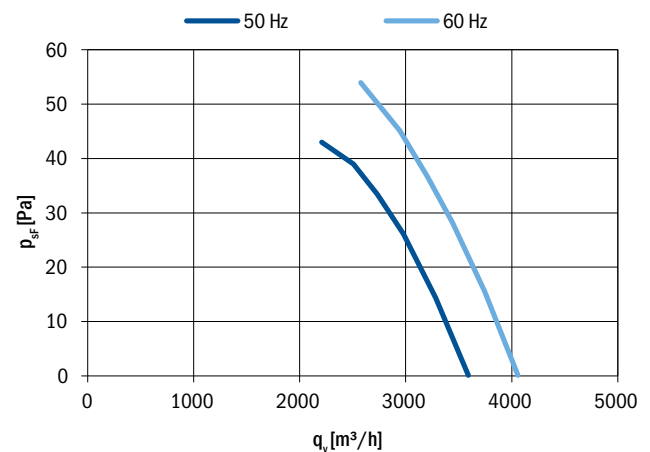
| | |
|------------------------------|--------------|
| Phase | 1~ |
| Nominal voltage | 230 V |
| Frequency | 50/60 Hz |
| Rated power input | 125/165 W |
| Rated current | 0.55/0.70 A |
| Rated speed | 890/1000 RPM |
| Min. ambient temperature | -30 °C |
| Max. ambient temperature | 50 °C |
| Sound power level A weighted | 76/70 dB (A) |
| Condensator | 5 µF/450 V |
| Connection | terminal box |
| Insulation class | 155 |
| Protection class | IP54 |

Fan with guard grill

| Airflow Direction | Type | Code | Weight (kg) |
|-------------------|--------------------|-------------|-------------|
| Sucking | R11R-45LPS-6M-5105 | 0311-4-0300 | 6.4 |
| Blowing | R11R-45LPB-6M-5105 | On request | |



Aerodynamic characteristic



Fan characteristic measured in short bell mouth with guard grill
ErP characteristic measured in full bell mouth without guard grill

Fan with plate

| Airflow Direction | Type | Code | Weight (kg) |
|-------------------|--------------------|------------|-------------|
| Sucking | R11P-45LPS-6M-5105 | On request | |
| Blowing | R11P-45LPB-6M-5105 | On request | |

Fan without guard grill

| Airflow Direction | Type | Code | Weight (kg) |
|-------------------|--------------------|------------|-------------|
| Sucking | R11E-45LPS-6M-5105 | On request | |
| Blowing | R11E-45LPB-6M-5105 | On request | |

General notes

| | | |
|-----------------------------|-------------|----------|
| Connection diagram: Sucking | 0301-1-0044 | Page 145 |
| Blowing | 0301-1-0043 | |
| Accessories | | Page 134 |
| Compliant to standards | | Page 28 |

R11_-45SP_-6M-5761

Diameter:

450 mm

Nominal data according to standard EN 60335:

| | |
|------------------------------|---------------|
| Phase | 1~ |
| Nominal voltage | 230 V |
| Frequency | 50/60 Hz |
| Rated power input | 115/150 W |
| Rated current | 0.50/0.65 A |
| Rated speed | 800/880 RPM |
| Min. ambient temperature | -30 °C |
| Max. ambient temperature | 65 °C |
| Sound power level A weighted | 83/87 dB (A) |
| Condensator | 3.15 µF/450 V |
| Connection | terminal box |
| Insulation class | 155 |
| Protection class | IP54 |

ErP data according to EU regulation 327/2011:

Is not subject to the EU regulation 327/2011.

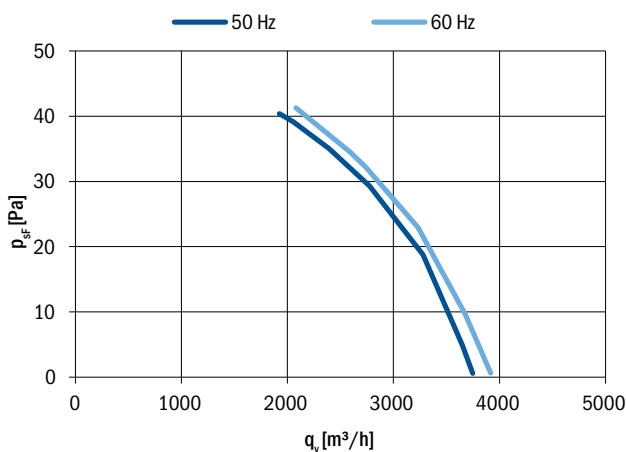
Power input lower than 125 W.



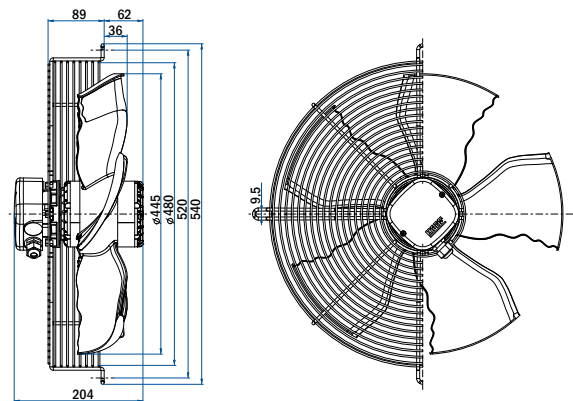
Fan with guard grill

| Airflow Direction | Type | Code | Weight (kg) |
|-------------------|--------------------|-------------|-------------|
| Sucking | R11R-45SPS-6M-5761 | 0311-4-0403 | |
| Blowing | R11R-45SPB-6M-5761 | On request | |

Aerodynamic characteristic



Fan characteristic measured in short bell mouth with guard grill



Fan with plate

| Airflow Direction | Type | Code | Weight (kg) |
|-------------------|--------------------|------------|-------------|
| Sucking | R11P-45SPS-6M-5761 | On request | |
| Blowing | R11P-45SPB-6M-5761 | On request | |

Fan without guard grill

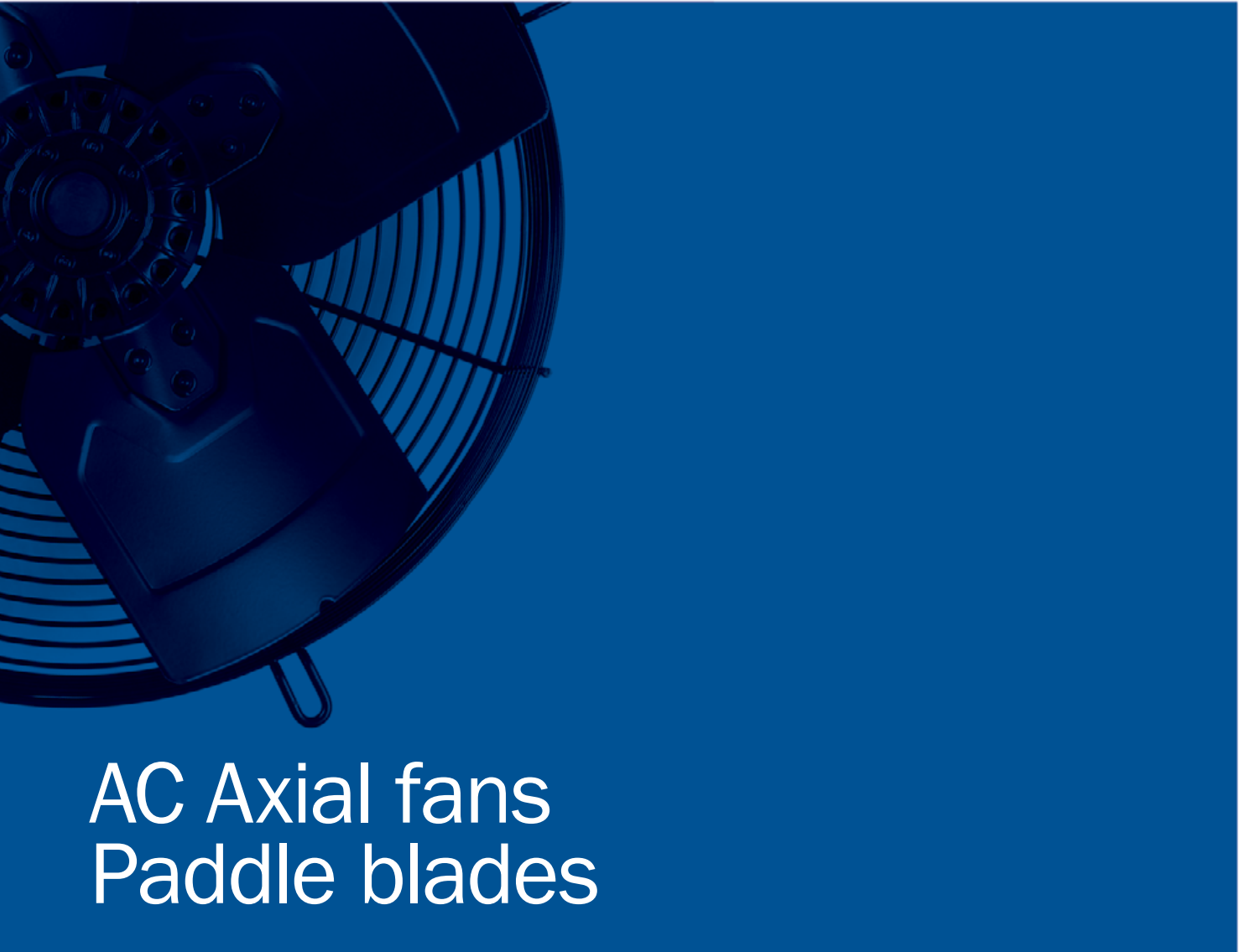
| Airflow Direction | Type | Code | Weight (kg) |
|-------------------|--------------------|------------|-------------|
| Sucking | R11E-45SPS-6M-5761 | On request | |
| Blowing | R11E-45SPB-6M-5761 | On request | |

General notes

| | | |
|-----------------------------|-------------|----------|
| Connection diagram: Sucking | 0301-1-0044 | Page 145 |
| Blowing | 0301-1-0043 | |
| Accessories | | Page 134 |
| Compliant to standards | | Page 28 |

04





AC Axial fans Paddle blades

EC AXIAL FANS

AC AXIAL FANS
SICKLED BLADES

AC AXIAL FANS
PLASTIC BLADES

AC AXIAL FANS
PADDLE BLADES

AC RADIAL FANS
BACKWARD CURVED BLADES

ACCESSORIES

CONNECTION DIAGRAMS

Axial fans with induction (AC) motors and paddle blades



Stamped steel blades (type 25 °)
Diameters: 200-250 mm



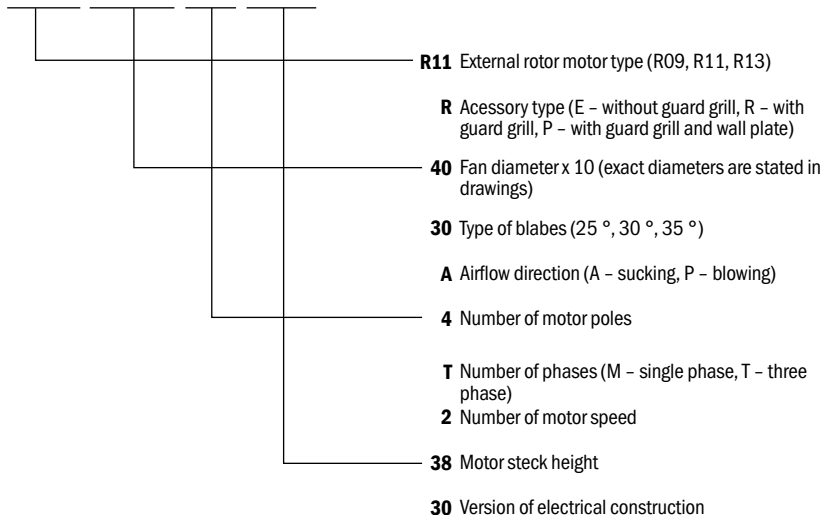
Stamped steel blades (type 28 °, 30 °, 32 °)
Diameters: 250-350 mm



Stamped aluminium blades (type 25 °, 30 °, 35 °)
Diameters: 400-630 mm

Example of type key:

R11R-4030A-4T2-3830



Diameter:

200 mm

R09_-2025_-2M-1511



Nominal data according to standard EN 60335:

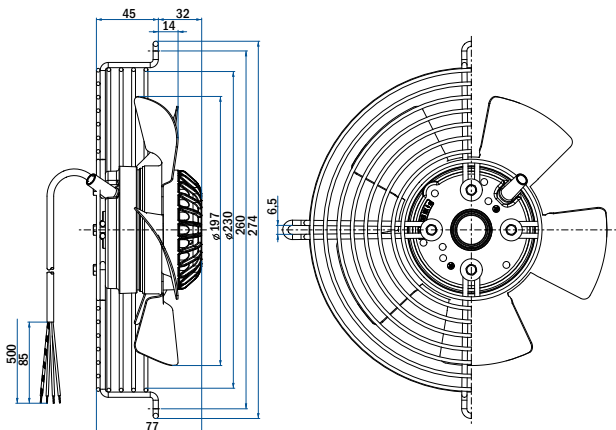
| | |
|------------------------------|---------------|
| Phase | 1~ |
| Nominal voltage | 230 V |
| Frequency | 50/60 Hz |
| Rated power input | 45/55 W |
| Rated current | 0.21/0.24 A |
| Rated speed | 2580/2850 RPM |
| Min. ambient temperature | -30 °C |
| Max. ambient temperature | 70 °C |
| Sound power level A weighted | 66/69 dB (A) |
| Condensator | 1.5 µF/450 V |
| Connection | cable |
| Insulation class | 155 |
| Protection class | IP44 |

Is not subject to the EU regulation 327/2011.

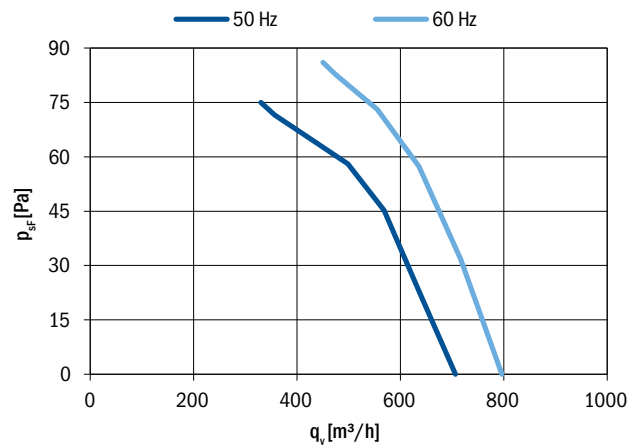
Power input lower than 125 W.

Fan with guard grill

| Airflow Direction | Type | Code | Weight (kg) |
|-------------------|--------------------|-------------|-------------|
| Sucking | R09R-2025M-2M-1511 | 0309-4-0190 | 1.6 |
| Blowing | R09R-2025M-2M-1511 | 0309-4-0214 | |



Aerodynamic characteristic



Fan characteristic measured in full bell mouth with guard grill

Fan with plate

| Airflow Direction | Type | Code | Weight (kg) |
|-------------------|--------------------|-------------|-------------|
| Sucking | R09P-2025M-2M-1511 | On request | 2.3 |
| Blowing | R09P-2025M-2M-1511 | 0309-4-0171 | |

Fan without guard grill

| Airflow Direction | Type | Code | Weight (kg) |
|-------------------|--------------------|------------|-------------|
| Sucking | R09E-2025M-2M-1511 | On request | |
| Blowing | R09E-2025M-2M-1511 | On request | |

General notes

| | | |
|-----------------------------|-------------|----------|
| Connection diagram: Sucking | 0301-1-0026 | Page 145 |
| Blowing | 0301-1-0042 | |
| Accessories | | Page 134 |
| Compliant to standards | | Page 28 |

R09_-2025_-4M-2516

Diameter:

250 mm

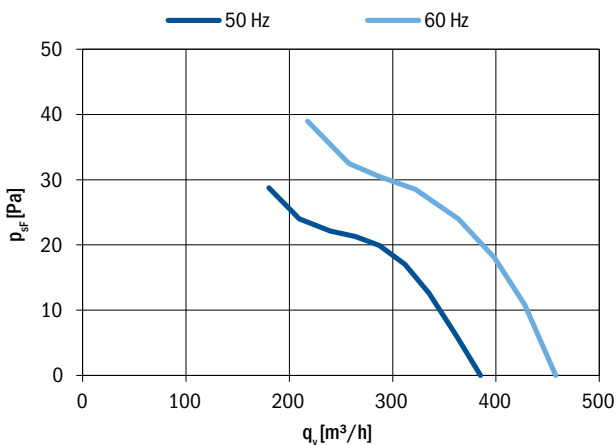
Nominal data according to standard EN 60335:

| | |
|------------------------------|---------------|
| Phase | 1~ |
| Nominal voltage | 230 V |
| Frequency | 50/60 Hz |
| Rated power input | 30/38 W |
| Rated current | 0.14/0.17 A |
| Rated speed | 1430/1680 RPM |
| Min. ambient temperature | -30 °C |
| Max. ambient temperature | 65 °C |
| Sound power level A weighted | 52/54 dB (A) |
| Condensator | 1.5 µF/450 V |
| Connection | cable |
| Insulation class | 155 |
| Protection class | IP44 |

Is not subject to the EU regulation 327/2011.

Power input lower than 125 W.

Aerodynamic characteristic

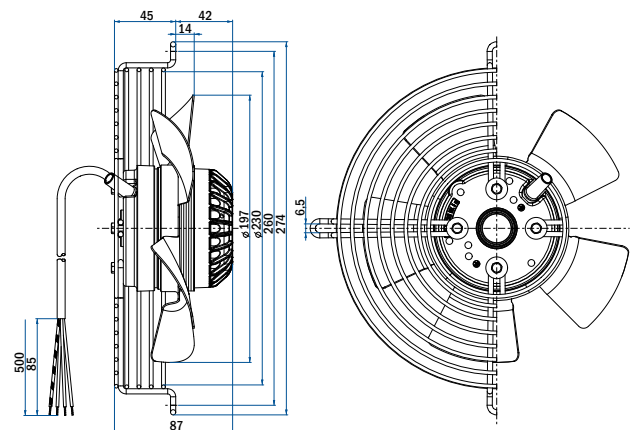


Fan characteristic measured in full bell mouth with guard grill



Fan with guard grill

| Airflow Direction | Type | Code | Weight (kg) |
|-------------------|--------------------|-------------|-------------|
| Sucking | R09R-2025M-4M-2516 | 0309-4-0211 | 3.4 |
| Blowing | R09R-2025M-4M-2516 | 0309-4-0261 | |



Fan with plate

| Airflow Direction | Type | Code | Weight (kg) |
|-------------------|--------------------|------------|-------------|
| Sucking | R09P-2025A-4M-2516 | On request | |
| Blowing | R09P-2025P-4M-2516 | On request | |

Fan without guard grill

| Airflow Direction | Type | Code | Weight (kg) |
|-------------------|--------------------|------------|-------------|
| Sucking | R09E-2025A-4M-2516 | On request | |
| Blowing | R09E-2025P-4M-2516 | On request | |

General notes

| | | |
|-----------------------------|-------------|----------|
| Connection diagram: Sucking | 0301-1-0026 | Page 145 |
| Blowing | 0301-1-0002 | |
| Accessories | | Page 134 |
| Compliant to standards | | Page 28 |

Diameter:

250 mm

R09_-2525_-2M-3539



Nominal data according to standard EN 60335:

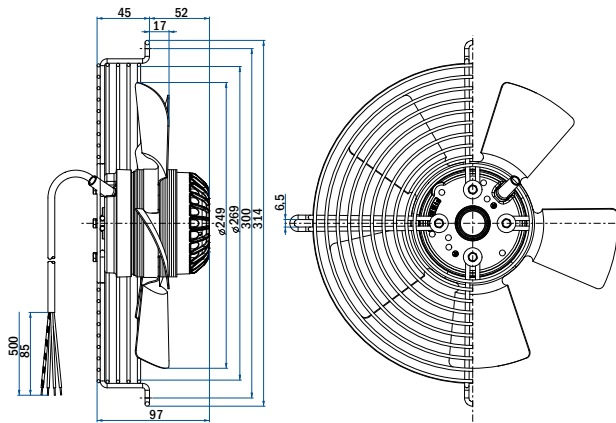
| | |
|------------------------------|---------------|
| Phase | 1~ |
| Nominal voltage | 230 V |
| Frequency | 50/60 Hz |
| Rated power input | 95/130 W |
| Rated current | 0.44/0.58 A |
| Rated speed | 2700/2950 RPM |
| Min. ambient temperature | -30 °C |
| Max. ambient temperature | 65 °C |
| Sound power level A weighted | 72/73 dB (A) |
| Condensator | 2 µF/450 V |
| Connection | cable |
| Insulation class | 155 |
| Protection class | IP44 |

Is not subject to the EU regulation 327/2011.

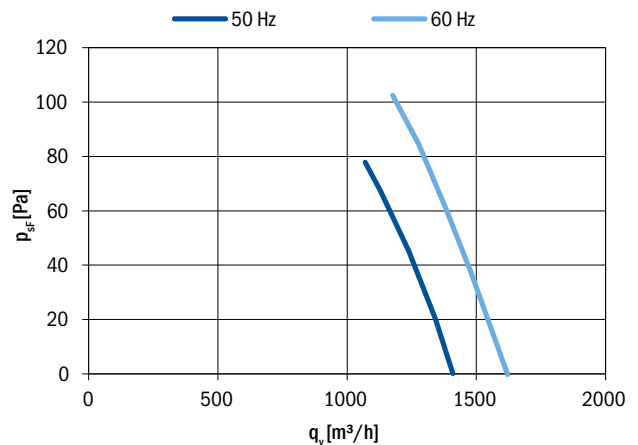
Power input lower than 125 W.

Fan with guard grill

| Airflow Direction | Type | Code | Weight (kg) |
|-------------------|--------------------|-------------|-------------|
| Sucking | R09R-2525A-2M-3539 | 0309-4-0198 | 2.5 |
| Blowing | R09R-2525P-2M-3539 | On request | |



Aerodynamic characteristic



Fan characteristic measured in full bell mouth with guard grill

Fan with plate

| Airflow Direction | Type | Code | Weight (kg) |
|-------------------|--------------------|------------|-------------|
| Sucking | R09P-2525A-2M-3539 | On request | |
| Blowing | R09P-2525P-2M-3539 | On request | |

Fan without guard grill

| Airflow Direction | Type | Code | Weight (kg) |
|-------------------|--------------------|------------|-------------|
| Sucking | R09E-2525A-2M-3539 | On request | |
| Blowing | R09E-2525P-2M-3539 | On request | |

General notes

| | | |
|-----------------------------|-------------|----------|
| Connection diagram: Sucking | 0301-1-0026 | Page 145 |
| Blowing | 0301-1-0002 | |
| Accessories | | Page 134 |
| Compliant to standards | | Page 28 |

R09_-2525_-4M-2516

Diameter:

250 mm

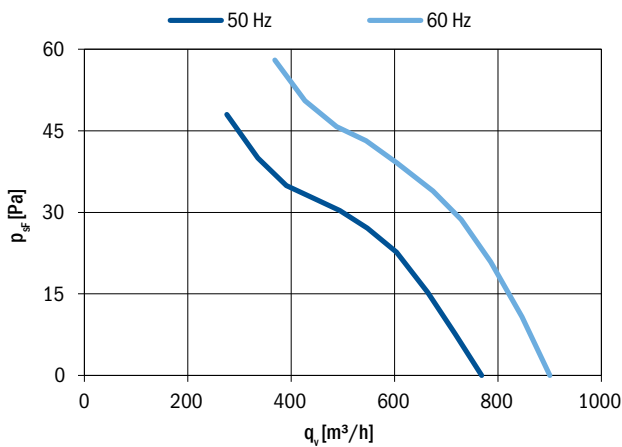
Nominal data according to standard EN 60335:

| | |
|------------------------------|---------------|
| Phase | 1~ |
| Nominal voltage | 230 V |
| Frequency | 50/60 Hz |
| Rated power input | 35/44 W |
| Rated current | 0.16/0.18 A |
| Rated speed | 1430/1680 RPM |
| Min. ambient temperature | -30 °C |
| Max. ambient temperature | 70 °C |
| Sound power level A weighted | 59/61 dB (A) |
| Condensator | 1.5 µF/450 V |
| Connection | cabl |
| Insulation class | 155 |
| Protection class | IP44 |

Is not subject to the EU regulation 327/2011.

Power input lower than 125 W.

Aerodynamic characteristic

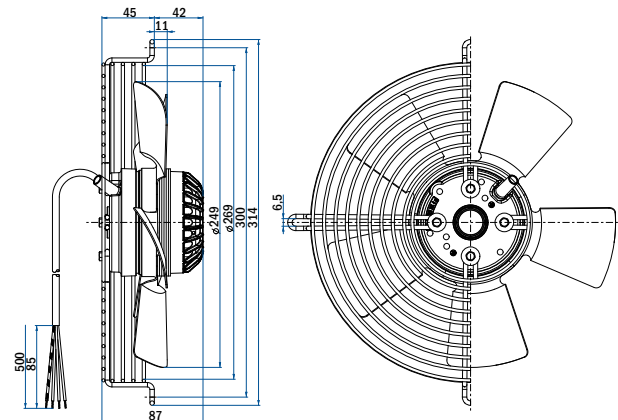


Fan characteristic measured in full bell mouth with guard grill



Fan with guard grill

| Airflow Direction | Type | Code | Weight (kg) |
|-------------------|--------------------|-------------|-------------|
| Sucking | R09R-2525A-4M-2516 | 0309-4-0199 | 2.1 |
| Blowing | R09R-2525P-4M-2516 | 0309-4-0217 | |



Fan with plate

| Airflow Direction | Type | Code | Weight (kg) |
|-------------------|--------------------|------------|-------------|
| Sucking | R09P-2525A-4M-2516 | On request | |
| Blowing | R09P-2525P-4M-2516 | On request | |

Fan without guard grill

| Airflow Direction | Type | Code | Weight (kg) |
|-------------------|--------------------|------------|-------------|
| Sucking | R09E-2525A-4M-2516 | On request | |
| Blowing | R09E-2525P-4M-2516 | On request | |

General notes

| | | |
|-----------------------------|-------------|----------|
| Connection diagram: Sucking | 0301-1-0026 | Page 145 |
| Blowing | 0301-1-0002 | |
| Accessories | | Page 134 |
| Compliant to standards | | Page 28 |

Diameter:

250 mm

R09_-2525_-6M-2515



Nominal data according to standard EN 60335:

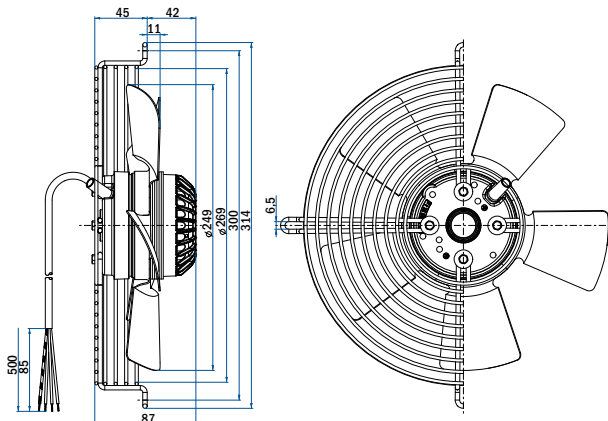
| | |
|------------------------------|--------------|
| Phase | 1~ |
| Nominal voltage | 230 V |
| Frequency | 50/60 Hz |
| Rated power input | 36/41 W |
| Rated current | 0.16/0.18 A |
| Rated speed | 980/1160 RPM |
| Min. ambient temperature | -30 °C |
| Max. ambient temperature | 55 °C |
| Sound power level A weighted | 44/45 dB (A) |
| Condensator | 1.5 µF/450 V |
| Connection | cabl |
| Insulation class | 155 |
| Protection class | IP44 |

Is not subject to the EU regulation 327/2011.

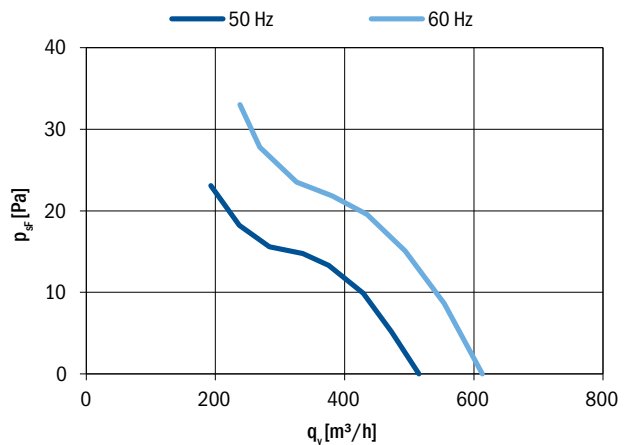
Power input lower than 125 W.

Fan with guard grill

| Airflow Direction | Type | Code | Weight (kg) |
|-------------------|--------------------|-------------|-------------|
| Sucking | R09R-2525A-6M-2515 | 0309-4-0191 | 2.1 |
| Blowing | R09R-2525P-6M-2515 | 0309-4-0218 | |



Aerodynamic characteristic



Fan characteristic measured in full bell mouth with guard grill

Fan with plate

| Airflow Direction | Type | Code | Weight (kg) |
|-------------------|--------------------|------------|-------------|
| Sucking | R09P-2525A-6M-2515 | On request | |
| Blowing | R09P-2525P-6M-2515 | On request | |

Fan without guard grill

| Airflow Direction | Type | Code | Weight (kg) |
|-------------------|--------------------|------------|-------------|
| Sucking | R09E-2525A-6M-2515 | On request | |
| Blowing | R09E-2525P-6M-2515 | On request | |

General notes

| | | |
|-----------------------------|-------------|----------|
| Connection diagram: Sucking | 0301-1-0026 | Page 145 |
| Blowing | 0301-1-0002 | |
| Accessories | | Page 134 |
| Compliant to standards | | Page 28 |

Diameter:

300 mm

R09_-3028_-4M-3509



Nominal data according to standard EN 60335:

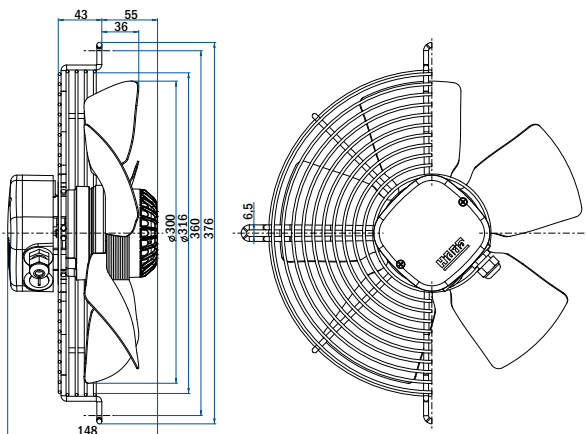
| | |
|------------------------------|---------------|
| Phase | 1~ |
| Nominal voltage | 230 V |
| Frequency | 50/60 Hz |
| Rated power input | 74/92 W |
| Rated current | 0.34/0.4 A |
| Rated speed | 1330/1470 RPM |
| Min. ambient temperature | -30 °C |
| Max. ambient temperature | 50 °C |
| Sound power level A weighted | 67/70 dB (A) |
| Condensator | 2.5 µF/450 V |
| Connection | terminal box |
| Insulation class | 155 |
| Protection class | IP54 |

Is not subject to the EU regulation 327/2011.

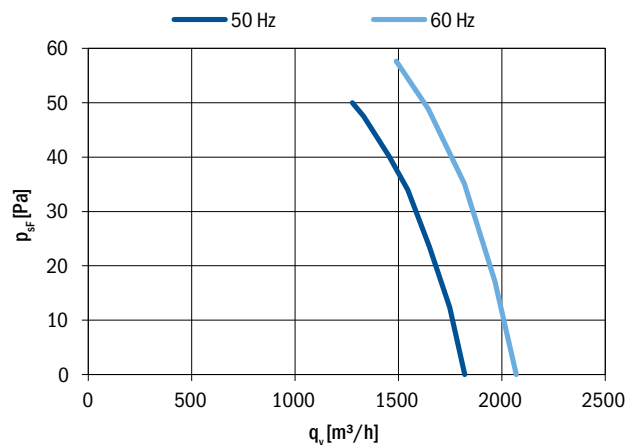
Power input lower than 125 W.

Fan with guard grill

| Airflow Direction | Type | Code | Weight (kg) |
|-------------------|--------------------|-------------|-------------|
| Sucking | R09R-3028A-4M-3509 | 0309-4-0100 | 3.4 |
| Blowing | R09R-3028P-4M-3509 | 0309-4-0121 | |



Aerodynamic characteristic



Fan characteristic measured in short bell mouth with guard grill

Fan with plate

| Airflow Direction | Type | Code | Weight (kg) |
|-------------------|--------------------|------------|-------------|
| Sucking | R09P-3028A-4M-3509 | On request | |
| Blowing | R09P-3028P-4M-3509 | On request | |

Fan without guard grill

| Airflow Direction | Type | Code | Weight (kg) |
|-------------------|--------------------|------------|-------------|
| Sucking | R09E-3028A-4M-3509 | On request | |
| Blowing | R09E-3028P-4M-3509 | On request | |

General notes

| | | |
|-----------------------------|-------------|----------|
| Connection diagram: Sucking | 0301-1-0026 | Page 145 |
| Blowing | 0301-1-0002 | |
| Accessories | | Page 134 |
| Compliant to standards | | Page 28 |

R09_-3028_-4T-2513

Diameter:

300 mm

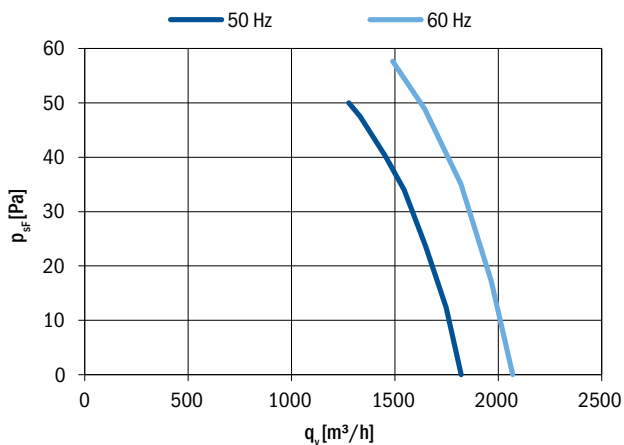
Nominal data according to standard EN 60335:

| | |
|------------------------------|-----------------------|
| Phase | 3~ |
| Nominal voltage | 400/230 V |
| Frequency | 50/60 Hz |
| Rated power input | 72/81 W |
| Rated current | 0,18/0,16/0,31/0,28 A |
| Rated speed | 1300/1440 RPM |
| Min. ambient temperature | -30 °C |
| Max. ambient temperature | 50 °C |
| Sound power level A weighted | 66/69 dB (A) |
| Connection | terminal box |
| Insulation class | 155 |
| Protection class | IP54 |

Is not subject to the EU regulation 327/2011.

Power input lower than 125 W.

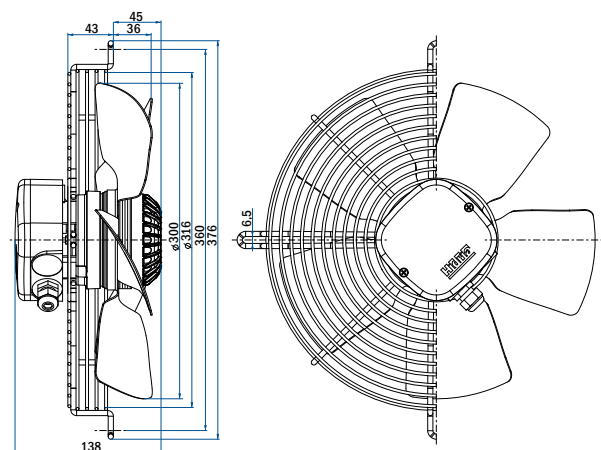
Aerodynamic characteristic



Fan characteristic measured in short bell mouth with guard grill

Fan with guard grill

| Airflow Direction | Type | Code | Weight (kg) |
|-------------------|--------------------|-------------|-------------|
| Sucking | R09R-3028A-4T-2513 | 0309-4-0059 | 3.0 |
| Blowing | R09R-3028P-4T-2513 | 0309-4-0035 | |



Fan with plate

| Airflow Direction | Type | Code | Weight (kg) |
|-------------------|--------------------|------------|-------------|
| Sucking | R09P-3028A-4T-2513 | On request | |
| Blowing | R09P-3028P-4T-2513 | On request | |

Fan without guard grill

| Airflow Direction | Type | Code | Weight (kg) |
|-------------------|--------------------|------------|-------------|
| Sucking | R09E-3028A-4T-2513 | On request | |
| Blowing | R09E-3028P-4T-2513 | On request | |

General notes

| | | |
|-----------------------------|-------------|----------|
| Connection diagram: Sucking | 0301-1-0049 | Page 146 |
| Blowing | 0301-1-0049 | |
| Accessories | | Page 134 |
| Compliant to standards | | Page 28 |

Diameter:

315 mm

R09_-3132_-4M-3509



Nominal data according to standard EN 60335:

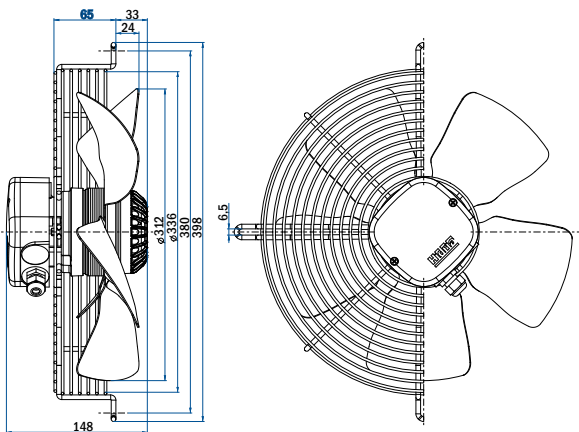
| | |
|------------------------------|---------------|
| Phase | 1~ |
| Nominal voltage | 230 V |
| Frequency | 50/60 Hz |
| Rated power input | 68/117 W |
| Rated current | 0.38/0.51 A |
| Rated speed | 1340/1490 RPM |
| Min. ambient temperature | -30 °C |
| Max. ambient temperature | 55/45 °C |
| Sound power level A weighted | 68/72 dB (A) |
| Condensator | 3.15 µF/450 V |
| Connection | terminal box |
| Insulation class | 155 |
| Protection class | IP54 |

Is not subject to the EU regulation 327/2011.

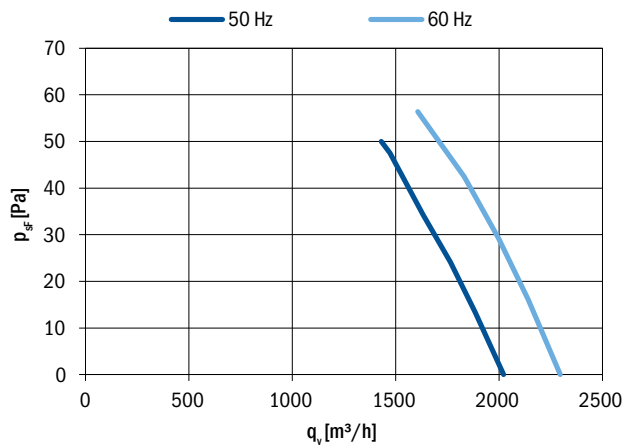
Power input lower than 125 W.

Fan with guard grill

| Airflow Direction | Type | Code | Weight (kg) |
|-------------------|--------------------|-------------|-------------|
| Sucking | R09R-3132A-4M-3509 | 0309-4-0048 | 3.5 |
| Blowing | R09R-3132P-4M-3509 | 0309-4-0075 | |



Aerodynamic characteristic



Fan characteristic measured in short bell mouth with guard grill

Fan with plate

| Airflow Direction | Type | Code | Weight (kg) |
|-------------------|--------------------|------------|-------------|
| Sucking | R09P-3132A-4M-3509 | On request | |
| Blowing | R09P-3132P-4M-3509 | On request | |

Fan without guard grill

| Airflow Direction | Type | Code | Weight (kg) |
|-------------------|--------------------|------------|-------------|
| Sucking | R09E-3132A-4M-3509 | On request | |
| Blowing | R09E-3132P-4M-3509 | On request | |

General notes

| | | |
|-----------------------------|-------------|----------|
| Connection diagram: Sucking | 0301-1-0026 | Page 145 |
| Blowing | 0301-1-0002 | |
| Accessories | | Page 134 |
| Compliant to standards | | Page 28 |

R09_-3132_-4T-3524

Diameter:

315 mm

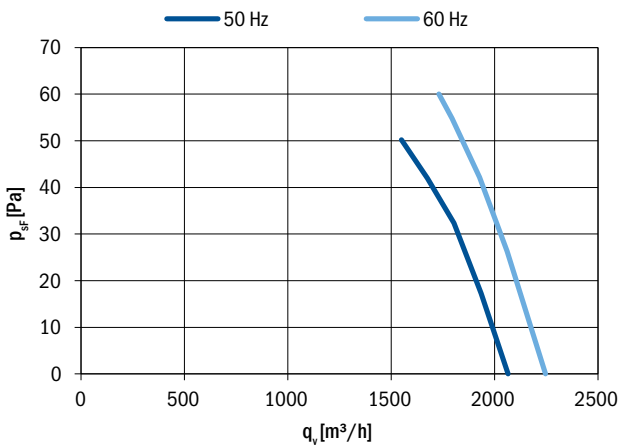
Nominal data according to standard EN 60335:

| | |
|------------------------------|-----------------------|
| Phase | 3~ |
| Nominal voltage | 400/230 V |
| Frequency | 50/60 Hz |
| Rated power input | 80/102 W |
| Rated current | 0,20/0,34/0,19/0,33 A |
| Rated speed | 1350/1500 RPM |
| Min. ambient temperature | -30 °C |
| Max. ambient temperature | 65 °C |
| Sound power level A weighted | 68/72 dB (A) |
| Connection | terminal box |
| Insulation class | 155 |
| Protection class | IP54 |

Is not subject to the EU regulation 327/2011.

Power input lower than 125 W.

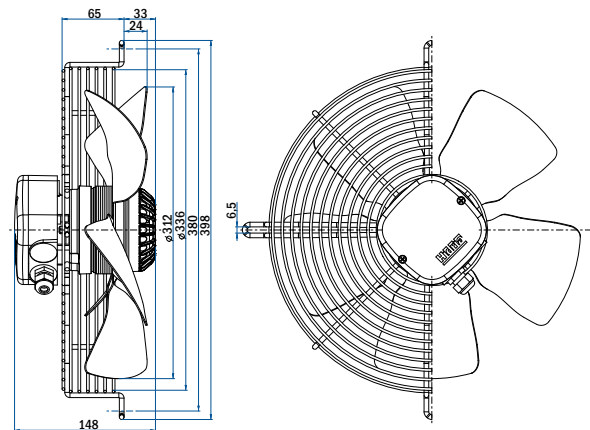
Aerodynamic characteristic



Fan characteristic measured in short bell mouth with guard grill

Fan with guard grill

| Airflow Direction | Type | Code | Weight (kg) |
|-------------------|--------------------|-------------|-------------|
| Sucking | R09R-3132A-4T-3524 | 0309-4-0130 | 4.0 |
| Blowing | R09R-3132P-4T-3524 | 0309-4-0091 | |



Fan with plate

| Airflow Direction | Type | Code | Weight (kg) |
|-------------------|--------------------|------------|-------------|
| Sucking | R09P-3132A-4T-3524 | On request | |
| Blowing | R09P-3132P-4T-3524 | On request | |

Fan without guard grill

| Airflow Direction | Type | Code | Weight (kg) |
|-------------------|--------------------|------------|-------------|
| Sucking | R09E-3132A-4T-3524 | On request | |
| Blowing | R09E-3132P-4T-3524 | On request | |

General notes

| | | |
|-----------------------------|-------------|----------|
| Connection diagram: Sucking | 0301-1-0049 | Page 146 |
| Blowing | 0301-1-0049 | |
| Accessories | | Page 134 |
| Compliant to standards | | Page 28 |

Diameter:

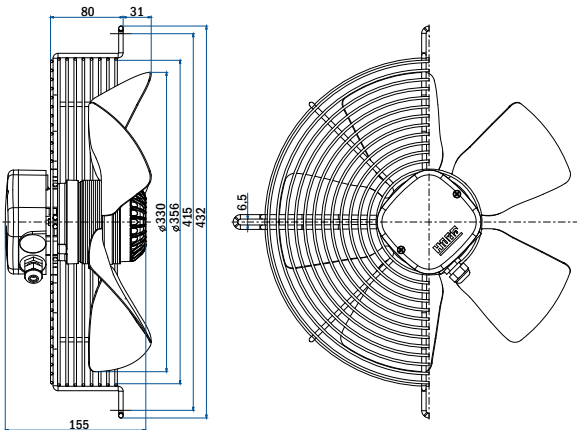
330 mm

R09_-3332_-4M-4240



Fan with guard grill

| Airflow Direction | Type | Code | Weight (kg) |
|-------------------|--------------------|-------------|-------------|
| Sucking | R09R-3332A-4M-4240 | 0309-4-0264 | 3.5 |
| Blowing | R09R-3332P-4M-4240 | 0309-4-0265 | |



Fan with plate

| Airflow Direction | Type | Code | Weight (kg) |
|-------------------|--------------------|------------|-------------|
| Sucking | R09P-3332A-4M-4240 | On request | |
| Blowing | R09P-3332P-4M-4240 | On request | |

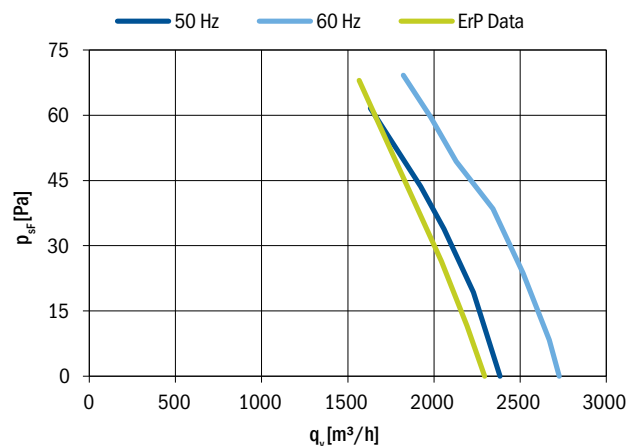
Fan without guard grill

| Airflow Direction | Type | Code | Weight (kg) |
|-------------------|--------------------|------------|-------------|
| Sucking | R09E-3332A-4M-4240 | On request | |
| Blowing | R09E-3332P-4M-4240 | On request | |

| Nominal data according to standard EN 60335: | |
|--|---------------|
| Phase | 1~ |
| Nominal voltage | 230 V |
| Frequency | 50/60 Hz |
| Rated power input | 130/170 W |
| Rated current | 0.58/0.78 A |
| Rated speed | 1330/1480 RPM |
| Min. ambient temperature | -30 °C |
| Max. ambient temperature | 55 °C |
| Sound power level A weighted | 70/72 dB (A) |
| Condensator | 4 µF/450 V |
| Connection | terminal box |
| Insulation class | 155 |
| Protection class | IP54 |

| ErP data according to EU regulation 327/2011: | |
|---|------------------------|
| Overall efficiency | 25.2 % |
| Measurement category | A |
| Efficiency category | static |
| Efficiency grade N | 36.9 |
| Variable speed drive | NO |
| Power input | 143 W |
| Air flow | 1478 m ³ /h |
| Pressure drop | 91 Pa |
| Speed | 1300 RPM |
| Specific ratio | 1.00 |

Aerodynamic characteristic



Fan characteristic measured in short bell mouth with guard grillErP characteristic measured in full bell mouth without guard grill

| General notes | | |
|-----------------------------|-------------|----------|
| Connection diagram: Sucking | 0301-1-0043 | Page 145 |
| Blowing | 0301-1-0044 | |
| Accessories | | Page 134 |
| Compliant to standards | | Page 28 |

R09_-3532_-4M-4237

Diameter:

350 mm

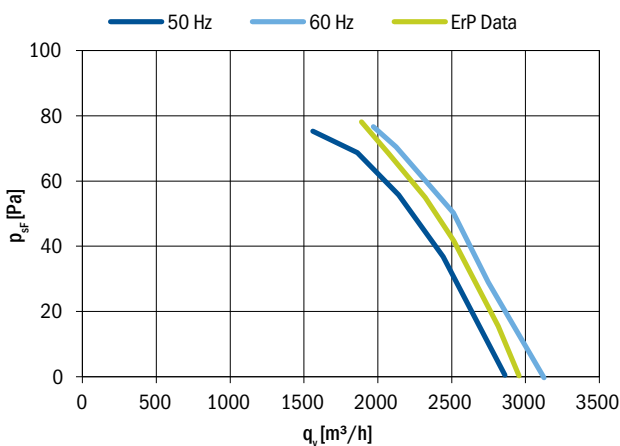
Nominal data according to standard EN 60335:

| | |
|------------------------------|---------------|
| Phase | 1~ |
| Nominal voltage | 230 V |
| Frequency | 50/60 Hz |
| Rated power input | 130/165 W |
| Rated current | 0.58/0.72 A |
| Rated speed | 1280/1350 RPM |
| Min. ambient temperature | -30 °C |
| Max. ambient temperature | 70/65 °C |
| Sound power level A weighted | 71/73 dB (A) |
| Condensator | 4 µF/450 V |
| Connection | terminal box |
| Insulation class | 155 |
| Protection class | IP54 |

ErP data according to EU regulation 327/2011:

| | |
|----------------------|-----------|
| Overall efficiency | 26.2 % |
| Measurement category | A |
| Efficiency category | static |
| Efficiency grade N | 37.7 |
| Variable speed drive | NO |
| Power input | 149 W |
| Air flow | 1889 m³/h |
| Pressure drop | 78 Pa |
| Speed | 1285 RPM |
| Specific ratio | 1.00 |

Aerodynamic characteristic



Fan characteristic measured in short bell mouth with guard grillErP characteristic measured in full bell mouth without guard grill

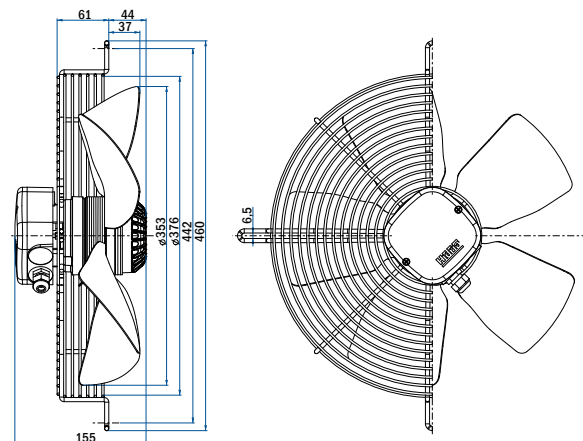
General notes

| | | |
|-----------------------------|-------------|----------|
| Connection diagram: Sucking | 0301-1-0043 | Page 145 |
| Blowing | 0301-1-0044 | |
| Accessories | | Page 134 |
| Compliant to standards | | Page 28 |



Fan with guard grill

| Airflow Direction | Type | Code | Weight (kg) |
|-------------------|--------------------|-------------|-------------|
| Sucking | R09R-3532A-4M-4237 | 0309-4-0108 | 4.0 |
| Blowing | R09R-3532P-4M-4237 | 0309-4-0221 | |



Fan with plate

| Airflow Direction | Type | Code | Weight (kg) |
|-------------------|--------------------|------------|-------------|
| Sucking | R09P-3532A-4M-4237 | On request | |
| Blowing | R09P-3532P-4M-4237 | On request | |

Fan without guard grill

| Airflow Direction | Type | Code | Weight (kg) |
|-------------------|--------------------|------------|-------------|
| Sucking | R09E-3532A-4M-4237 | On request | |
| Blowing | R09E-3532P-4M-4237 | On request | |

Diameter:

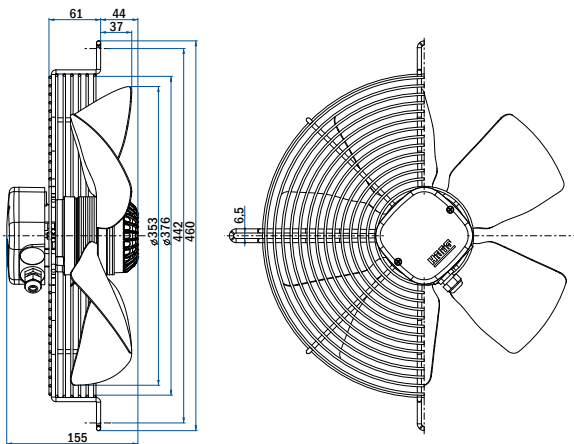
350 mm

R09_-3532_-4T-4203



Fan with guard grill

| Airflow Direction | Type | Code | Weight (kg) |
|-------------------|--------------------|-------------|-------------|
| Sucking | R09R-3532A-4T-4203 | 0309-4-0222 | 4.0 |
| Blowing | R09R-3532P-4T-4203 | 0309-4-0223 | |



Fan with plate

| Airflow Direction | Type | Code | Weight (kg) |
|-------------------|--------------------|------------|-------------|
| Sucking | R09P-3532A-4T-4203 | On request | |
| Blowing | R09P-3532P-4T-4203 | On request | |

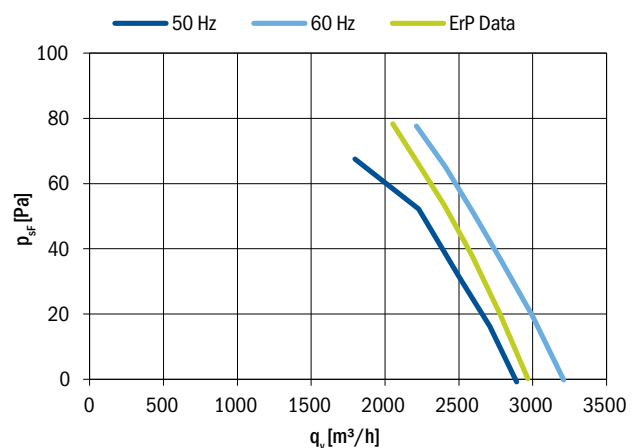
Fan without guard grill

| Airflow Direction | Type | Code | Weight (kg) |
|-------------------|--------------------|------------|-------------|
| Sucking | R09E-3532A-4T-4203 | On request | |
| Blowing | R09E-3532P-4T-4203 | On request | |

| Nominal data according to standard EN 60335: | |
|--|-----------------------|
| Phase | 3~ |
| Nominal voltage | 400/230 V |
| Frequency | 50/60 Hz |
| Rated power input | 135/175 W |
| Rated current | 0,31/0,54/0,32/0,55 A |
| Rated speed | 1340/1460 RPM |
| Min. ambient temperature | -30 °C |
| Max. ambient temperature | 40/55 °C |
| Sound power level A weighted | 72/75 dB (A) |
| Connection | terminal box |
| Insulation class | 155 |
| Protection class | IP54 |

| ErP data according to EU regulation 327/2011: | |
|---|------------------------|
| Overall efficiency | 25.4 % |
| Measurement category | A |
| Efficiency category | static |
| Efficiency grade N | 36.6 |
| Variable speed drive | NO |
| Power input | 168 W |
| Air flow | 2051 m ³ /h |
| Pressure drop | 78 Pa |
| Speed | 1327 RPM |
| Specific ratio | 1.00 |

Aerodynamic characteristic



Fan characteristic measured in short bell mouth with guard grillErP characteristic measured in full bell mouth without guard grill

| General notes | | |
|-----------------------------|-------------|----------|
| Connection diagram: Sucking | 0301-1-0049 | Page 146 |
| Blowing | 0301-1-0049 | |
| Accessories | | Page 134 |
| Compliant to standards | | Page 28 |

R11_-3530_-4M-3852

Diameter:

350 mm

Nominal data according to standard EN 60335:

| | |
|------------------------------|---------------|
| Phase | 1~ |
| Nominal voltage | 230 V |
| Frequency | 50/60 Hz |
| Rated power input | 175/210 W |
| Rated current | 0.8/1.15 A |
| Rated speed | 1410/1570 RPM |
| Min. ambient temperature | -30 °C |
| Max. ambient temperature | 60/50 °C |
| Sound power level A weighted | |
| Condensator | 4 µF/450 V |
| Connection | terminal box |
| Insulation class | 155 |
| Protection class | IP54 |

ErP data according to EU regulation 327/2011:

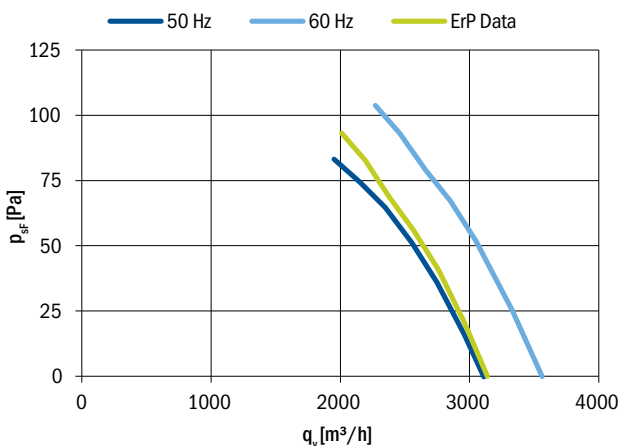
| | |
|----------------------|-----------|
| Overall efficiency | 29.0 % |
| Measurement category | A |
| Efficiency category | static |
| Efficiency grade N | 40.2 |
| Variable speed drive | NO |
| Power input | 170 W |
| Air flow | 2012 m³/h |
| Pressure drop | 93 Pa |
| Speed | 1411 RPM |
| Specific ratio | 1.00 |



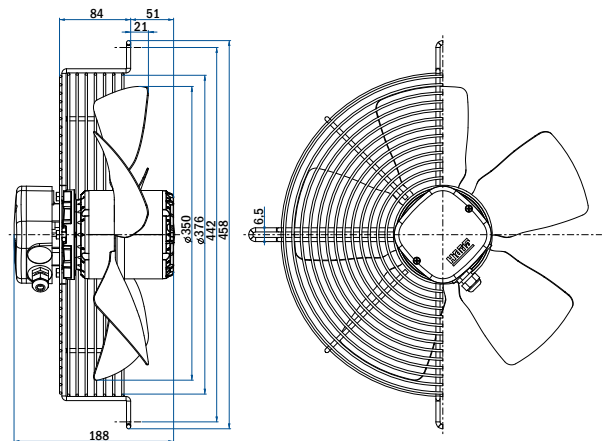
Fan with guard grill

| Airflow Direction | Type | Code | Weight (kg) |
|-------------------|--------------------|-------------|-------------|
| Sucking | R11R-3530A-4M-3852 | 0311-4-0297 | 6.0 |
| Blowing | R11R-3530P-4M-3852 | 0311-4-0404 | |

Aerodynamic characteristic



Fan characteristic measured in short bell mouth with guard grillErP characteristic measured in full bell mouth without guard grill



Fan with plate

| Airflow Direction | Type | Code | Weight (kg) |
|-------------------|--------------------|------------|-------------|
| Sucking | R11P-3530A-4M-3852 | On request | |
| Blowing | R11P-3530P-4M-3852 | On request | |

Fan without guard grill

| Airflow Direction | Type | Code | Weight (kg) |
|-------------------|--------------------|------------|-------------|
| Sucking | R11E-3530A-4M-3852 | On request | |
| Blowing | R11E-3530P-4M-3852 | On request | |

General notes

| | | |
|-----------------------------|-------------|----------|
| Connection diagram: Sucking | 0301-1-0043 | Page 145 |
| Blowing | 0301-1-0044 | |
| Accessories | | Page 134 |
| Compliant to standards | | Page 28 |

Diameter:

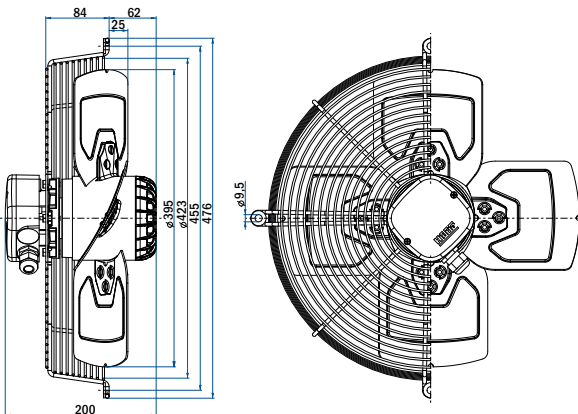
400 mm

R11_-4025_-4M-5137



Fan with guard grill

| Airflow Direction | Type | Code | Weight (kg) |
|-------------------|--------------------|-------------|-------------|
| Sucking | R11R-4025A-4M-5137 | 0311-4-0194 | 6.1 |
| Blowing | R11R-4025P-4M-5137 | 0311-4-0195 | |



Fan with plate

| Airflow Direction | Type | Code | Weight (kg) |
|-------------------|--------------------|------------|-------------|
| Sucking | R11P-4025A-4M-5137 | On request | |
| Blowing | R11P-4025P-4M-5137 | On request | |

Fan without guard grill

| Airflow Direction | Type | Code | Weight (kg) |
|-------------------|--------------------|------------|-------------|
| Sucking | R11E-4025A-4M-5137 | On request | |
| Blowing | R11E-4025P-4M-5137 | On request | |

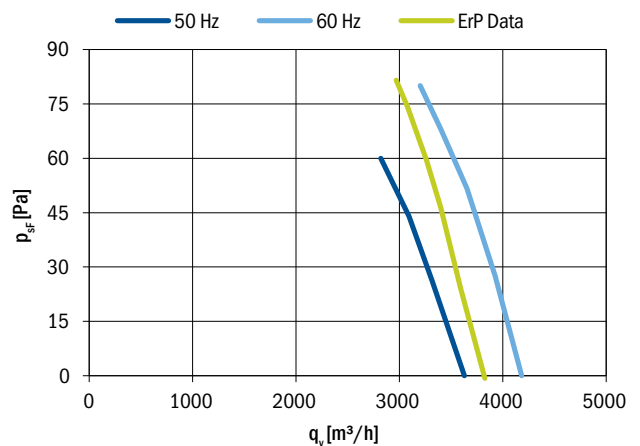
Nominal data according to standard EN 60335:

| | |
|------------------------------|---------------|
| Phase | 1~ |
| Nominal voltage | 230 V |
| Frequency | 50/60 Hz |
| Rated power input | 170/205 W |
| Rated current | 0.82/0.89 A |
| Rated speed | 1370/1570 RPM |
| Min. ambient temperature | -30 °C |
| Max. ambient temperature | 70/65 °C |
| Sound power level A weighted | 71/74 dB (A) |
| Condensator | 6.3 µF/450 V |
| Connection | terminal box |
| Insulation class | 155 |
| Protection class | IP54 |

ErP data according to EU regulation 327/2011:

| | |
|----------------------|-----------|
| Overall efficiency | 33.3 % |
| Measurement category | A |
| Efficiency category | static |
| Efficiency grade N | 43.8 |
| Variable speed drive | NO |
| Power input | 219 W |
| Air flow | 2552 m³/h |
| Pressure drop | 109 Pa |
| Speed | 1404 RPM |
| Specific ratio | 1.00 |

Aerodynamic characteristic



Fan characteristic measured in short bell mouth with guard grillErP characteristic measured in full bell mouth without guard grill

General notes

| | | |
|-----------------------------|-------------|----------|
| Connection diagram: Sucking | 0301-1-0044 | Page 145 |
| Blowing | 0301-1-0043 | |
| Accessories | | Page 134 |
| Compliant to standards | | Page 28 |

R11_-4030_-4M-5137

Diameter:

400 mm

Nominal data according to standard EN 60335:

| | |
|------------------------------|---------------|
| Phase | 1~ |
| Nominal voltage | 230 V |
| Frequency | 50/60 Hz |
| Rated power input | 200/265 W |
| Rated current | 0.9/1.15 A |
| Rated speed | 1345/1500 RPM |
| Min. ambient temperature | -30 °C |
| Max. ambient temperature | 65/45 °C |
| Sound power level A weighted | 72/76 dB (A) |
| Condensator | 6.3 µF/450 V |
| Connection | terminal box |
| Insulation class | 155 |
| Protection class | IP54 |

ErP data according to EU regulation 327/2011:

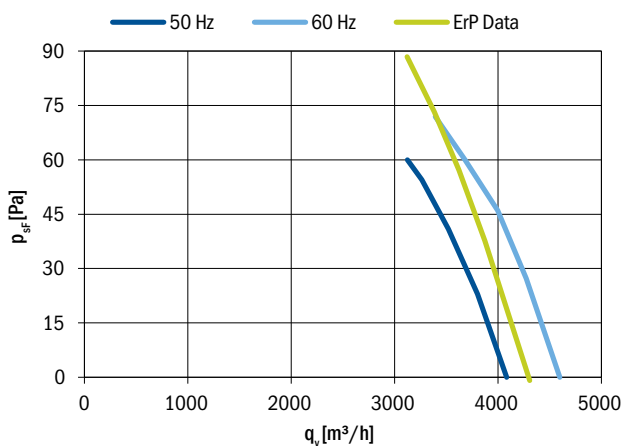
| | |
|----------------------|-----------|
| Overall efficiency | 32.1 % |
| Measurement category | A |
| Efficiency category | static |
| Efficiency grade N | 42.5 |
| Variable speed drive | NO |
| Power input | 228 W |
| Air flow | 3121 m³/h |
| Pressure drop | 88 Pa |
| Speed | 1375 RPM |
| Specific ratio | 1.00 |



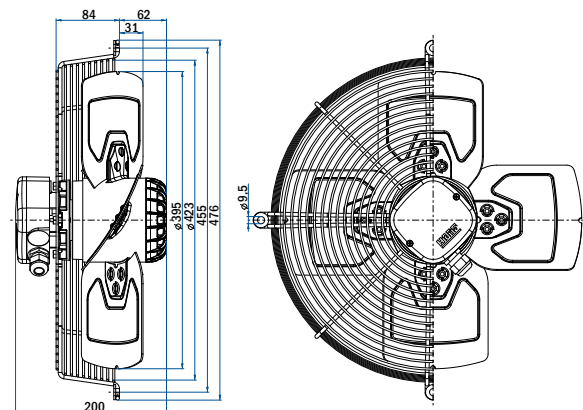
Fan with guard grill

| Airflow Direction | Type | Code | Weight (kg) |
|-------------------|--------------------|-------------|-------------|
| Sucking | R11R-4030A-4M-5137 | 0311-4-0192 | 6.1 |
| Blowing | R11R-4030P-4M-5137 | 0311-4-0193 | |

Aerodynamic characteristic



Fan characteristic measured in short bell mouth with guard grillErP characteristic measured in full bell mouth without guard grill



Fan with plate

| Airflow Direction | Type | Code | Weight (kg) |
|-------------------|--------------------|------------|-------------|
| Sucking | R11P-4030A-4M-5137 | On request | |
| Blowing | R11P-4030P-4M-5137 | On request | |

Fan without guard grill

| Airflow Direction | Type | Code | Weight (kg) |
|-------------------|--------------------|------------|-------------|
| Sucking | R11E-4030A-4M-5137 | On request | |
| Blowing | R11E-4030P-4M-5137 | On request | |

General notes

| | | |
|-----------------------------|-------------|----------|
| Connection diagram: Sucking | 0301-1-0044 | Page 145 |
| Blowing | 0301-1-0043 | |
| Accessories | | Page 134 |
| Compliant to standards | | Page 28 |

R11_-4030_-4T2-3830

Diameter:

400 mm

Nominal data according to standard EN 60335:

| | |
|------------------------------|---------------|
| Phase | 3~ |
| Nominal voltage | 400 V |
| Frequency | 50 Hz |
| Speed | high/low |
| Rated power input | 195/130 W |
| Rated current | 0.34/0.21 A |
| Rated speed | 1320/1000 RPM |
| Min. ambient temperature | -30 °C |
| Max. ambient temperature | 70/70 °C |
| Sound power level A weighted | 73/66 dB (A) |
| Connection | terminal box |
| Insulation class | 155 |
| Protection class | IP54 |

ErP data according to EU regulation 327/2011:

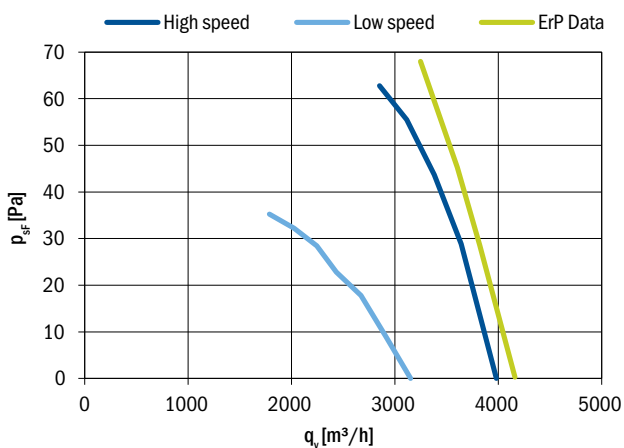
| | |
|----------------------|-----------|
| Overall efficiency | 31.3 % |
| Measurement category | A |
| Efficiency category | static |
| Efficiency grade N | 41.8 |
| Variable speed drive | NO |
| Power input | 218 W |
| Air flow | 2840 m³/h |
| Pressure drop | 90 Pa |
| Speed | 1332 RPM |
| Specific ratio | 1.00 |



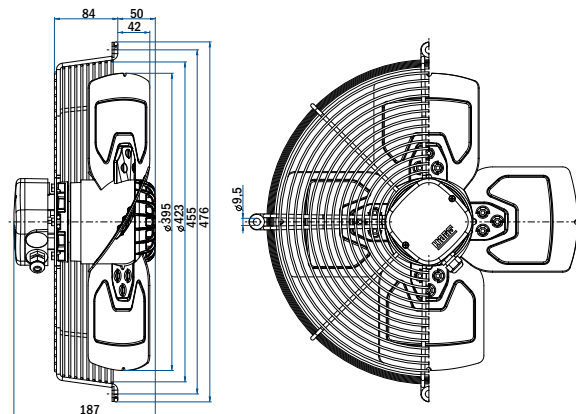
Fan with guard grill

| Airflow Direction | Type | Code | Weight (kg) |
|-------------------|---------------------|-------------|-------------|
| Sucking | R11R-4030A-4T2-3830 | 0311-4-0034 | 5.7 |
| Blowing | R11R-4030P-4T2-3830 | 0311-4-0042 | |

Aerodynamic characteristic



Fan characteristic measured in short bell mouth with guard grillErP characteristic measured in full bell mouth without guard grill



Fan with plate

| Airflow Direction | Type | Code | Weight (kg) |
|-------------------|---------------------|------------|-------------|
| Sucking | R11P-4030A-4T2-3830 | On request | |
| Blowing | R11P-4030P-4T2-3830 | On request | |

Fan without guard grill

| Airflow Direction | Type | Code | Weight (kg) |
|-------------------|---------------------|------------|-------------|
| Sucking | R11E-4030A-4T2-3830 | On request | |
| Blowing | R11E-4030P-4T2-3830 | On request | |

General notes

| | | |
|-----------------------------|-------------|----------|
| Connection diagram: Sucking | 0301-1-0048 | Page 146 |
| Blowing | 0301-1-0048 | |
| Accessories | | Page 134 |
| Compliant to standards | | Page 28 |

Diameter:

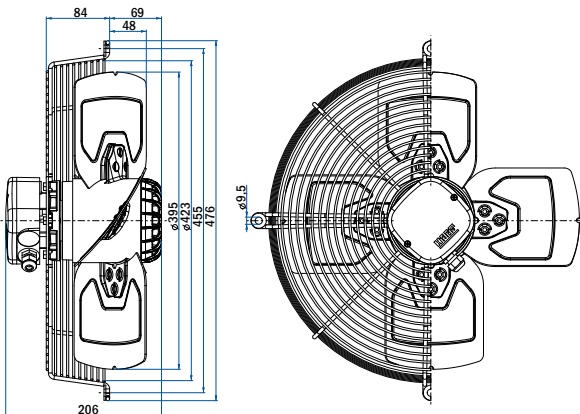
400 mm

R11_-4035_-4T2-5745



Fan with guard grill

| Airflow Direction | Type | Code | Weight (kg) |
|-------------------|---------------------|-------------|-------------|
| Sucking | R11R-4035A-4T2-5745 | 0311-1-0159 | 6.3 |
| Blowing | R11R-4035P-4T2-5745 | 0311-4-0049 | |



Fan with plate

| Airflow Direction | Type | Code | Weight (kg) |
|-------------------|---------------------|------------|-------------|
| Sucking | R11P-4035A-4T2-5745 | On request | |
| Blowing | R11P-4035P-4T2-5745 | On request | |

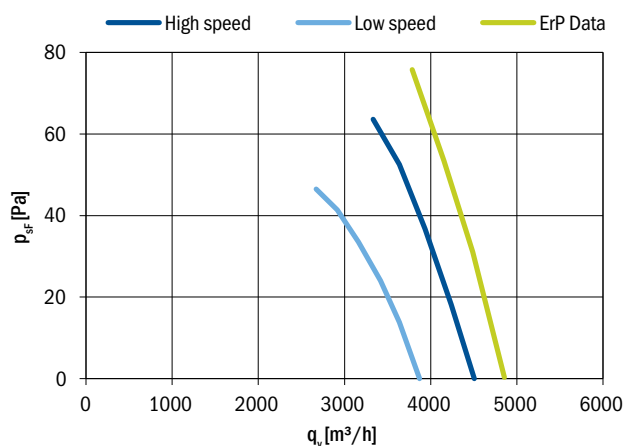
Fan without guard grill

| Airflow Direction | Type | Code | Weight (kg) |
|-------------------|---------------------|------------|-------------|
| Sucking | R11E-4035A-4T2-5745 | On request | |
| Blowing | R11E-4035P-4T2-5745 | On request | |

| Nominal data according to standard EN 60335: | |
|--|---------------|
| Phase | 3~ |
| Nominal voltage | 400 V |
| Frequency | 50 Hz |
| Speed | high/low |
| Rated power input | 260/190 W |
| Rated current | 0,60/0,30 A |
| Rated speed | 1380/1160 RPM |
| Min. ambient temperature | -30 °C |
| Max. ambient temperature | 70/70 °C |
| Sound power level A weighted | 75/71 dB (A) |
| Connection | terminal box |
| Insulation class | 155 |
| Protection class | IP54 |

| ErP data according to EU regulation 327/2011: | |
|---|------------------------|
| Overall efficiency | 29.1 % |
| Measurement category | A |
| Efficiency category | static |
| Efficiency grade N | 38.8 |
| Variable speed drive | NO |
| Power input | 289 W |
| Air flow | 3585 m ³ /h |
| Pressure drop | 87 Pa |
| Speed | 1382 RPM |
| Specific ratio | 1.00 |

Aerodynamic characteristic



Fan characteristic measured in short bell mouth with guard grillErP characteristic measured in full bell mouth without guard grill

| General notes | | |
|-----------------------------|-------------|----------|
| Connection diagram: Sucking | 0301-1-0048 | Page 146 |
| Blowing | 0301-1-0048 | |
| Accessories | | Page 134 |
| Compliant to standards | | Page 28 |

R11_-4225_-4M-5715

Diameter:

420 mm

Nominal data according to standard EN 60335:

| | |
|------------------------------|---------------|
| Phase | 1~ |
| Nominal voltage | 230 V |
| Frequency | 50/60 Hz |
| Rated power input | 235/320 W |
| Rated current | 1,15/1,40 A |
| Rated speed | 1400/1600 RPM |
| Min. ambient temperature | -30 °C |
| Max. ambient temperature | 50/65 °C |
| Sound power level A weighted | 70/73 dB (A) |
| Condensator | 6.3 µF/450 V |
| Connection | terminal box |
| Insulation class | 155 |
| Protection class | IP54 |

ErP data according to EU regulation 327/2011:

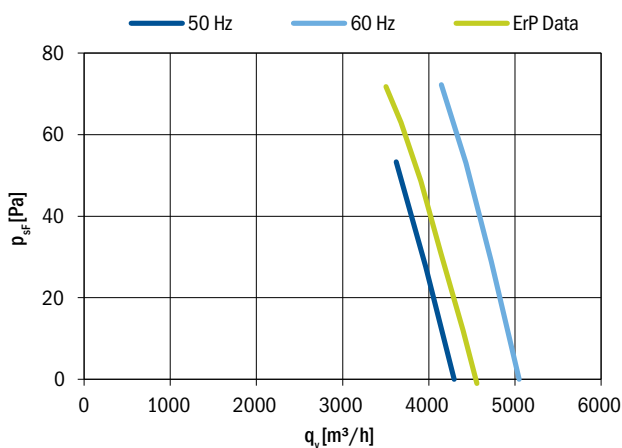
| | |
|----------------------|-----------|
| Overall efficiency | 31.0 % |
| Measurement category | A |
| Efficiency category | static |
| Efficiency grade N | 41.2 |
| Variable speed drive | NO |
| Power input | 243 W |
| Air flow | 3106 m³/h |
| Pressure drop | 92 Pa |
| Speed | 1372 RPM |
| Specific ratio | 1.00 |



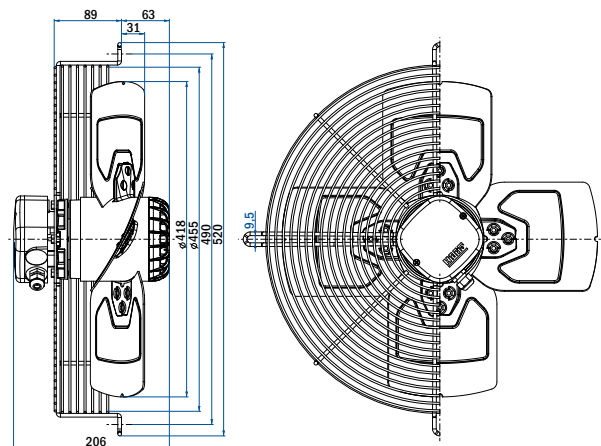
Fan with guard grill

| Airflow Direction | Type | Code | Weight (kg) |
|-------------------|--------------------|-------------|-------------|
| Sucking | R11R-4225A-4M-5715 | 0311-4-0265 | 6.3 |
| Blowing | R11R-4225P-4M-5715 | 0311-4-0266 | |

Aerodynamic characteristic



Fan characteristic measured in short bell mouth with guard grillErP characteristic measured in full bell mouth without guard grill



Fan with plate

| Airflow Direction | Type | Code | Weight (kg) |
|-------------------|--------------------|------------|-------------|
| Sucking | R11P-4225A-4M-5715 | On request | |
| Blowing | R11P-4225P-4M-5715 | On request | |

Fan without guard grill

| Airflow Direction | Type | Code | Weight (kg) |
|-------------------|--------------------|------------|-------------|
| Sucking | R11E-4225A-4M-5715 | On request | |
| Blowing | R11E-4225P-4M-5715 | On request | |

General notes

| | | |
|-----------------------------|-------------|----------|
| Connection diagram: Sucking | 0301-1-0044 | Page 145 |
| Blowing | 0301-1-0043 | |
| Accessories | | Page 134 |
| Compliant to standards | | Page 28 |

R11_-4530_-4M-5749

Diameter:

450 mm

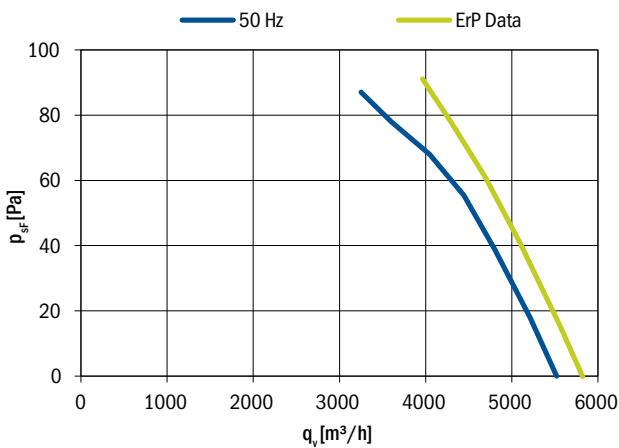
Nominal data according to standard EN 60335:

| | |
|------------------------------|--------------|
| Phase | 1~ |
| Nominal voltage | 230 V |
| Frequency | 50 Hz |
| Rated power input | 310 W |
| Rated current | 1.4 A |
| Rated speed | 1270 RPM |
| Min. ambient temperature | -30 °C |
| Max. ambient temperature | 55 °C |
| Sound power level A weighted | 74 dB (A) |
| Condensator | 10 µF/450 V |
| Connection | terminal box |
| Insulation class | 155 |
| Protection class | IP54 |

ErP data according to EU regulation 327/2011:

| | |
|----------------------|-----------|
| Overall efficiency | 29.4 % |
| Measurement category | A |
| Efficiency category | static |
| Efficiency grade N | 38.8 |
| Variable speed drive | NO |
| Power input | 324 W |
| Air flow | 3965 m³/h |
| Pressure drop | 91 Pa |
| Speed | 1291 RPM |
| Specific ratio | 1.00 |

Aerodynamic characteristic



Fan characteristic measured in short bell mouth with guard grillErP characteristic measured in full bell mouth without guard grill

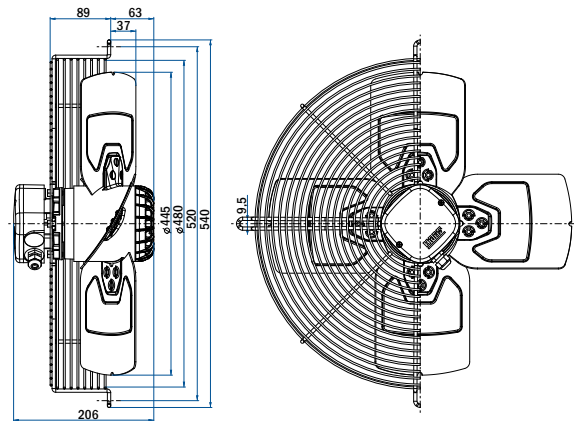
General notes

| | | |
|-----------------------------|-------------|----------|
| Connection diagram: Sucking | 0301-1-0044 | Page 145 |
| Blowing | 0301-1-0043 | |
| Accessories | | Page 134 |
| Compliant to standards | | Page 28 |



Fan with guard grill

| Airflow Direction | Type | Code | Weight (kg) |
|-------------------|--------------------|-------------|-------------|
| Sucking | R11R-4530A-4M-5749 | 0311-4-0240 | 6.3 |
| Blowing | R11R-4530P-4M-5749 | 0311-4-0270 | |



Fan with plate

| Airflow Direction | Type | Code | Weight (kg) |
|-------------------|--------------------|------------|-------------|
| Sucking | R11P-4530A-4M-5749 | On request | |
| Blowing | R11P-4530P-4M-5749 | On request | |

Fan without guard grill

| Airflow Direction | Type | Code | Weight (kg) |
|-------------------|--------------------|------------|-------------|
| Sucking | R11E-4530A-4M-5749 | On request | |
| Blowing | R11E-4530P-4M-5749 | On request | |

Diameter:

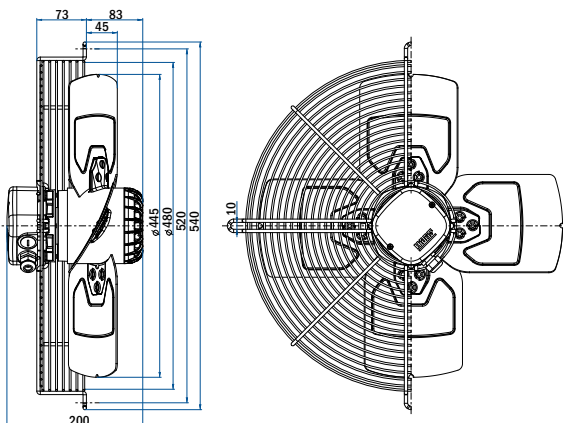
450 mm

R11_-4525_-4T-5136



Fan with guard grill

| Airflow Direction | Type | Code | Weight (kg) |
|-------------------|--------------------|-------------|-------------|
| Sucking | R11R-4525A-4T-5136 | 0311-4-0117 | 6.3 |
| Blowing | R11R-4525P-4T-5136 | 0311-4-0082 | |



Fan with plate

| Airflow Direction | Type | Code | Weight (kg) |
|-------------------|--------------------|------------|-------------|
| Sucking | R11P-4525A-4T-5136 | On request | |
| Blowing | R11P-4525P-4T-5136 | On request | |

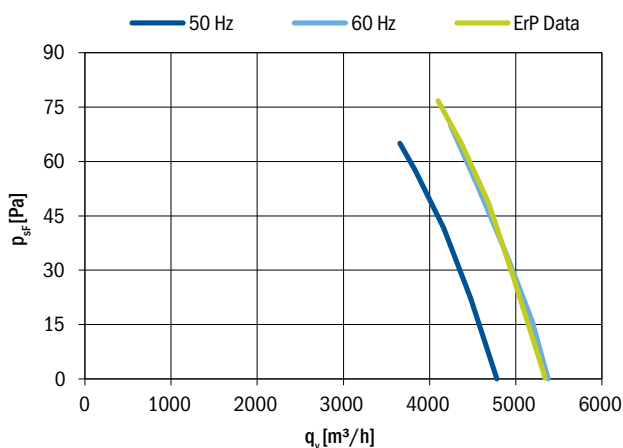
Fan without guard grill

| Airflow Direction | Type | Code | Weight (kg) |
|-------------------|--------------------|------------|-------------|
| Sucking | R11E-4525A-4T-5136 | On request | |
| Blowing | R11E-4525P-4T-5136 | On request | |

| Nominal data according to standard EN 60335: | |
|--|-----------------------|
| Phase | 3~ |
| Nominal voltage | 400/230 |
| Frequency | 50/60 Hz |
| Rated power input | 230/310 W |
| Rated current | 0,55/0,95/0,55/0,95 A |
| Rated speed | 1335/1430 RPM |
| Min. ambient temperature | -30 °C |
| Max. ambient temperature | 70/70 °C |
| Sound power level A weighted | 75/72 dB (A) |
| Connection | terminal box |
| Insulation class | 155 |
| Protection class | IP54 |

| ErP data according to EU regulation 327/2011: | |
|---|-----------|
| Overall efficiency | 33.7 % |
| Measurement category | A |
| Efficiency category | static |
| Efficiency grade N | 43.5 |
| Variable speed drive | NO |
| Power input | 283 W |
| Air flow | 3672 m³/h |
| Pressure drop | 98 Pa |
| Speed | 1358 RPM |
| Specific ratio | 1.00 |

Aerodynamic characteristic



Fan characteristic measured in short bell mouth with guard grill
 ErP characteristic measured in full bell mouth without guard grill

| General notes | | |
|-----------------------------|-------------|----------|
| Connection diagram: Sucking | 0301-1-0049 | Page 146 |
| Blowing | 0301-1-0049 | |
| Accessories | | Page 134 |
| Compliant to standards | | Page 28 |

R13_-4525_-4M-5009

Diameter:

450 mm

Nominal data according to standard EN 60335:

| | |
|------------------------------|---------------|
| Phase | 1~ |
| Nominal voltage | 230 V |
| Frequency | 50/60 Hz |
| Rated power input | 310/460 W |
| Rated current | 1,4/2,0 A |
| Rated speed | 1410/1630 RPM |
| Min. ambient temperature | -30 °C |
| Max. ambient temperature | 70/65 °C |
| Sound power level A weighted | 74/79 dB (A) |
| Condensator | 8 µF/450 V |
| Connection | terminal box |
| Insulation class | 155 |
| Protection class | IP54 |

ErP data according to EU regulation 327/2011:

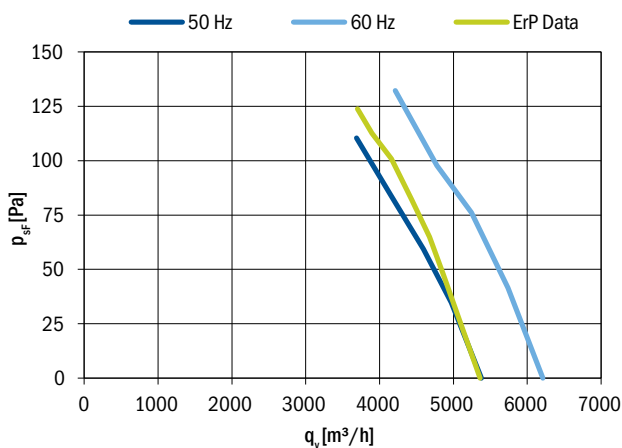
| | |
|----------------------|-----------|
| Overall efficiency | 33.2 % |
| Measurement category | A |
| Efficiency category | static |
| Efficiency grade N | 42.3 |
| Variable speed drive | NO |
| Power input | 365 W |
| Air flow | 3703 m³/h |
| Pressure drop | 124 Pa |
| Speed | 1390 RPM |
| Specific ratio | 1.00 |



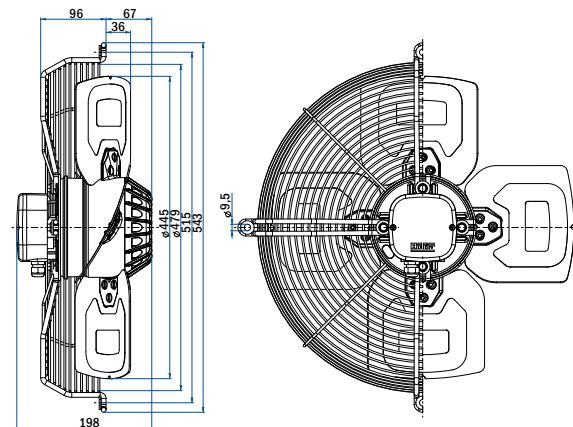
Fan with guard grill

| Airflow Direction | Type | Code | Weight (kg) |
|-------------------|--------------------|-------------|-------------|
| Sucking | R13R-4525A-4M-5009 | 0313-4-0003 | 10.0 |
| Blowing | R13R-4525P-4M-5009 | 0313-4-0082 | |

Aerodynamic characteristic



Fan characteristic measured in short bell mouth with guard grillErP characteristic measured in full bell mouth without guard grill



Fan with plate

| Airflow Direction | Type | Code | Weight (kg) |
|-------------------|--------------------|------------|-------------|
| Sucking | R13P-4525A-4M-5009 | On request | |
| Blowing | R13P-4525P-4M-5009 | On request | |

Fan without guard grill

| Airflow Direction | Type | Code | Weight (kg) |
|-------------------|--------------------|------------|-------------|
| Sucking | R13E-4525A-4M-5009 | On request | |
| Blowing | R13E-4525P-4M-5009 | On request | |

General notes

| | | |
|-----------------------------|-------------|----------|
| Connection diagram: Sucking | 0301-1-0044 | Page 145 |
| Blowing | 0301-1-0043 | |
| Accessories | | Page 134 |
| Compliant to standards | | Page 28 |

Diameter:

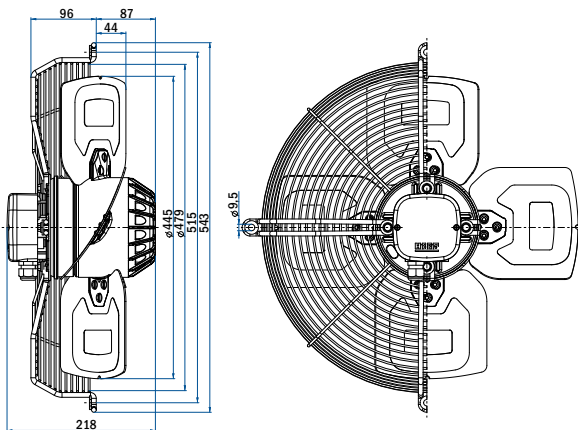
450 mm

R13_-4530_-4M-7039



Fan with guard grill

| Airflow Direction | Type | Code | Weight (kg) |
|-------------------|--------------------|-------------|-------------|
| Sucking | R13R-4530A-4M-7039 | 0313-4-0178 | 12.1 |
| Blowing | R13R-4530P-4M-7039 | 0313-4-0166 | |



Fan with plate

| Airflow Direction | Type | Code | Weight (kg) |
|-------------------|--------------------|------------|-------------|
| Sucking | R13P-4530A-4M-7039 | On request | |
| Blowing | R13P-4530P-4M-7039 | On request | |

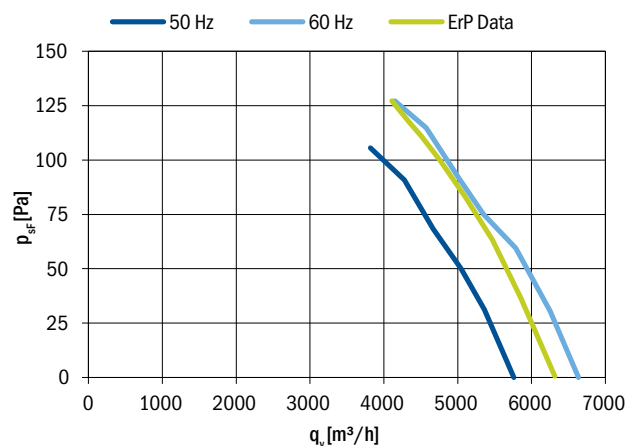
Fan without guard grill

| Airflow Direction | Type | Code | Weight (kg) |
|-------------------|--------------------|------------|-------------|
| Sucking | R13E-4530A-4M-7039 | On request | |
| Blowing | R13E-4530P-4M-7039 | On request | |

| Nominal data according to standard EN 60335: | |
|--|---------------|
| Phase | 1~ |
| Nominal voltage | 230 V |
| Frequency | 50/60 Hz |
| Rated power input | 375/570 W |
| Rated current | 1.7/2.5 A |
| Rated speed | 1390/1570 RPM |
| Min. ambient temperature | -30 °C |
| Max. ambient temperature | 70/55 °C |
| Sound power level A weighted | 76/81 dB (A) |
| Condensator | 10 µF/450 V |
| Connection | terminal box |
| Insulation class | 155 |
| Protection class | IP54 |

| ErP data according to EU regulation 327/2011: | |
|---|-----------|
| Overall efficiency | 32.5 % |
| Measurement category | A |
| Efficiency category | static |
| Efficiency grade N | 41.2 |
| Variable speed drive | NO |
| Power input | 427 W |
| Air flow | 4111 m³/h |
| Pressure drop | 127 Pa |
| Speed | 1377 RPM |
| Specific ratio | 1.00 |

Aerodynamic characteristic



Fan characteristic measured in short bell mouth with guard grillErP characteristic measured in full bell mouth without guard grill

| General notes | | |
|-----------------------------|-------------|----------|
| Connection diagram: Sucking | 0301-1-0035 | Page 146 |
| Blowing | 0301-1-0029 | |
| Accessories | | Page 134 |
| Compliant to standards | | Page 28 |

R13_-4525_-4T-3529

Diameter:

450 mm

Nominal data according to standard EN 60335:

| | |
|------------------------------|-----------------------|
| Phase | 3~ |
| Nominal voltage | 400/230 V |
| Frequency | 50/60 Hz |
| Rated power input | 290/410 W |
| Rated current | 0,81/1,40/0,81/1,40 A |
| Rated speed | 1350/1530 RPM |
| Min. ambient temperature | -30 °C |
| Max. ambient temperature | 40/65 °C |
| Sound power level A weighted | 72/78 dB (A) |
| Connection | terminal box |
| Insulation class | 155 |
| Protection class | IP54 |

ErP data according to EU regulation 327/2011:

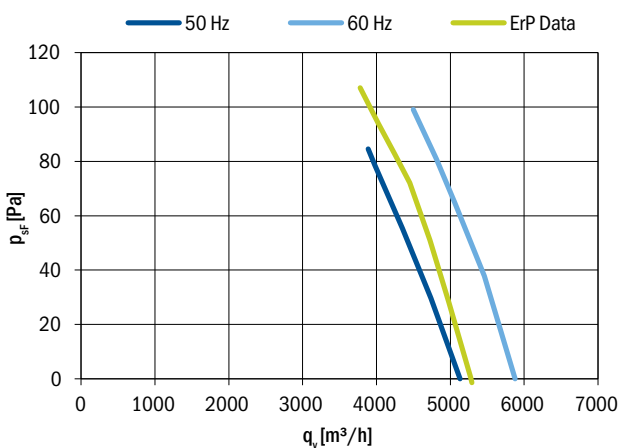
| | |
|----------------------|-----------|
| Overall efficiency | 33.0 % |
| Measurement category | A |
| Efficiency category | static |
| Efficiency grade N | 42.3 |
| Variable speed drive | NO |
| Power input | 344 W |
| Air flow | 3489 m³/h |
| Pressure drop | 123 Pa |
| Speed | 1366 RPM |
| Specific ratio | 1.00 |



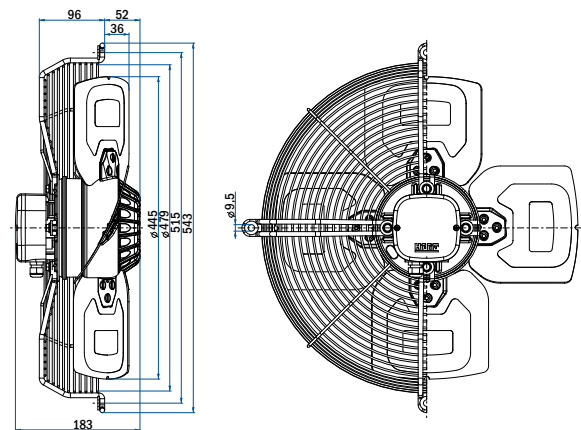
Fan with guard grill

| Airflow Direction | Type | Code | Weight (kg) |
|-------------------|--------------------|-------------|-------------|
| Sucking | R13R-4525A-4T-3529 | 0313-4-0138 | 8.4 |
| Blowing | R13R-4525P-4T-3529 | 0313-4-0059 | |

Aerodynamic characteristic



Fan characteristic measured in short bell mouth with guard grillErP characteristic measured in full bell mouth without guard grill



Fan with plate

| Airflow Direction | Type | Code | Weight (kg) |
|-------------------|--------------------|------------|-------------|
| Sucking | R13P-4525A-4T-3529 | On request | |
| Blowing | R13P-4525P-4T-3529 | On request | |

Fan without guard grill

| Airflow Direction | Type | Code | Weight (kg) |
|-------------------|--------------------|------------|-------------|
| Sucking | R13E-4525A-4T-3529 | On request | |
| Blowing | R13E-4525P-4T-3529 | On request | |

General notes

| | | |
|-----------------------------|-------------|----------|
| Connection diagram: Sucking | 0301-1-0034 | Page 147 |
| Blowing | 0301-1-0034 | |
| Accessories | | Page 134 |
| Compliant to standards | | Page 28 |

R13_-4535_-4T2-5004

Diameter:

450 mm

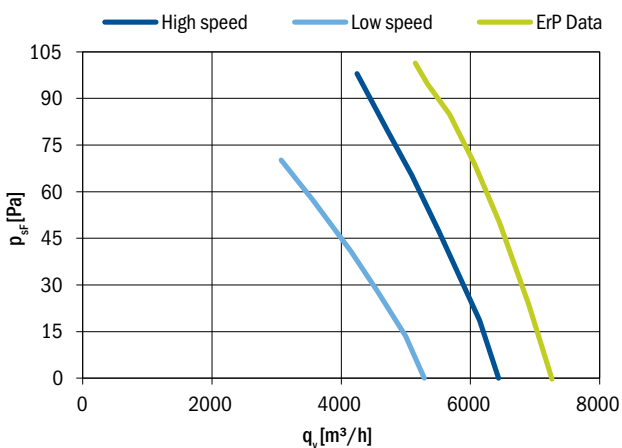
Nominal data according to standard EN 60335:

| | |
|------------------------------|---------------|
| Phase | 3~ |
| Nominal voltage | 400 V |
| Frequency | 50 Hz |
| Speed | high/low |
| Rated power input | 465/330 W |
| Rated current | 0.95/0.55 A |
| Rated speed | 1360/1100 RPM |
| Min. ambient temperature | -30 °C |
| Max. ambient temperature | 60 °C |
| Sound power level A weighted | 80/73 dB (A) |
| Connection | terminal box |
| Insulation class | 155 |
| Protection class | IP54 |

ErP data according to EU regulation 327/2011:

| | |
|----------------------|------------------------|
| Overall efficiency | 28.6 % |
| Measurement category | A |
| Efficiency category | static |
| Efficiency grade N | 36.8 |
| Variable speed drive | NO |
| Power input | 509 W |
| Air flow | 4820 m ³ /h |
| Pressure drop | 114 Pa |
| Speed | 1339 RPM |
| Specific ratio | 1.00 |

Aerodynamic characteristic



Fan characteristic measured in short bell mouth with guard grillErP characteristic measured in full bell mouth without guard grill

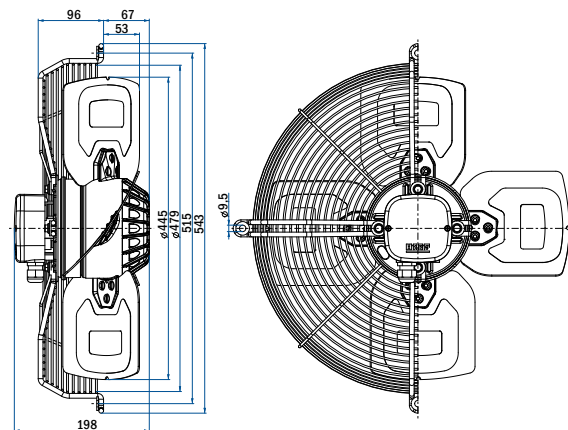
General notes

| | | |
|-----------------------------|-------------|----------|
| Connection diagram: Sucking | 0301-1-0033 | Page 147 |
| Blowing | 0301-1-0033 | |
| Accessories | | Page 134 |
| Compliant to standards | | Page 28 |



Fan with guard grill

| Airflow Direction | Type | Code | Weight (kg) |
|-------------------|---------------------|-------------|-------------|
| Sucking | R13R-4535A-4T2-5004 | 0313-4-0004 | 10.0 |
| Blowing | R13R-4535P-4T2-5004 | 0313-4-0002 | |



Fan with plate

| Airflow Direction | Type | Code | Weight (kg) |
|-------------------|---------------------|------------|-------------|
| Sucking | R13P-4535A-4T2-5004 | On request | |
| Blowing | R13P-4535P-4T2-5004 | On request | |

Fan without guard grill

| Airflow Direction | Type | Code | Weight (kg) |
|-------------------|---------------------|------------|-------------|
| Sucking | R13E-4535A-4T2-5004 | On request | |
| Blowing | R13E-4535P-4T2-5004 | On request | |

Diameter:

450 mm

R13_-4535_-6M-5027

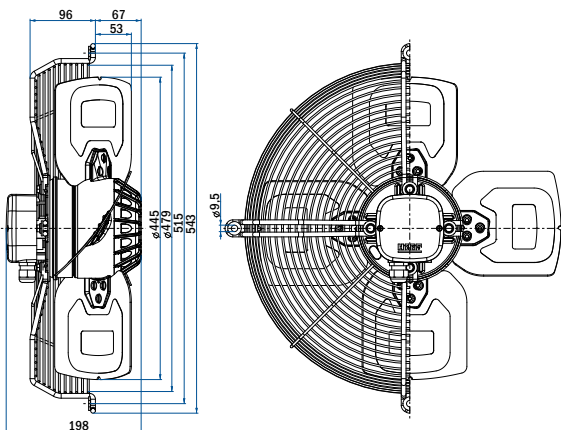


Nominal data according to standard EN 60335:

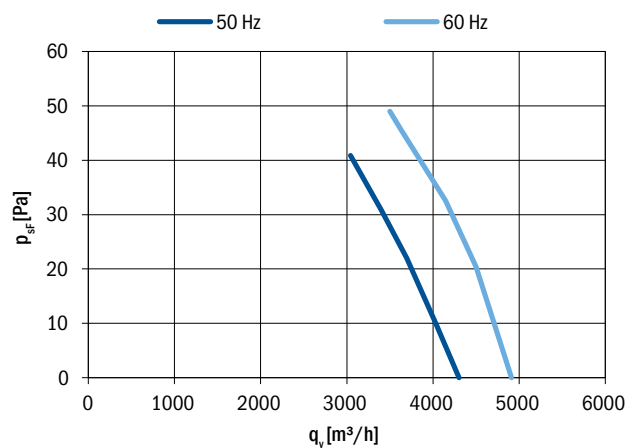
| | |
|------------------------------|--------------|
| Phase | 1~ |
| Nominal voltage | 230 V |
| Frequency | 50/60 Hz |
| Rated power input | 195/240 W |
| Rated current | 1,0/1.05 A |
| Rated speed | 910/1040 RPM |
| Min. ambient temperature | -30 °C |
| Max. ambient temperature | 50/50 °C |
| Sound power level A weighted | 69/73 dB (A) |
| Condensator | 6.3 µF/450 V |
| Connection | terminal box |
| Insulation class | 155 |
| Protection class | IP54 |

Fan with guard grill

| Airflow Direction | Type | Code | Weight (kg) |
|-------------------|--------------------|-------------|-------------|
| Sucking | R13R-4535A-6M-5027 | 0313-4-045 | 10.0 |
| Blowing | R13R-4535P-6M-5027 | 0313-4-0201 | |



Aerodynamic characteristic



Fan characteristic measured in short bell mouth with guard grill

Fan with plate

| Airflow Direction | Type | Code | Weight (kg) |
|-------------------|--------------------|------------|-------------|
| Sucking | R13P-4535A-6M-5027 | On request | |
| Blowing | R13P-4535P-6M-5027 | On request | |

Fan without guard grill

| Airflow Direction | Type | Code | Weight (kg) |
|-------------------|--------------------|------------|-------------|
| Sucking | R13E-4535A-6M-5027 | On request | |
| Blowing | R13E-4535P-6M-5027 | On request | |

General notes

| | | |
|-----------------------------|-------------|----------|
| Connection diagram: Sucking | 0301-1-0044 | Page 145 |
| Blowing | 0301-1-0043 | |
| Accessories | | Page 134 |
| Compliant to standards | | Page 28 |

R13_-4530_-6T2-3525

Diameter:

450 mm

Nominal data according to standard EN 60335:

| | |
|------------------------------|--------------|
| Phase | 3~ |
| Nominal voltage | 400 V |
| Frequency | 50 Hz |
| Speed | high/low |
| Rated power input | 120/85 W |
| Rated current | 0,28/0,14 A |
| Rated speed | 915/770 RPM |
| Min. ambient temperature | -30 °C |
| Max. ambient temperature | 70/70 °C |
| Sound power level A weighted | 68/63 dB (A) |
| Connection | terminal box |
| Insulation class | 155 |
| Protection class | IP54 |

ErP data according to EU regulation 327/2011:

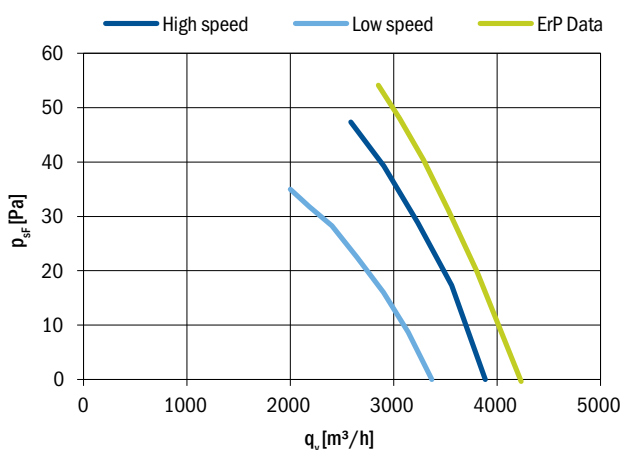
| | |
|----------------------|------------------------|
| Overall efficiency | 28.5 % |
| Measurement category | A |
| Efficiency category | static |
| Efficiency grade N | 40.1 |
| Variable speed drive | NO |
| Power input | 146 W |
| Air flow | 2851 m ³ /h |
| Pressure drop | 54 Pa |
| Speed | 909 RPM |
| Specific ratio | 1.00 |



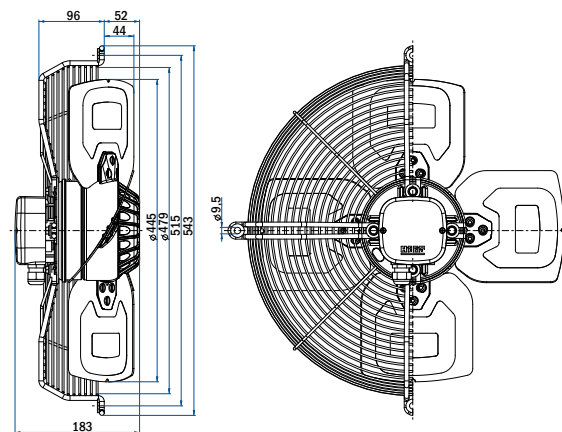
Fan with guard grill

| Airflow Direction | Type | Code | Weight (kg) |
|-------------------|---------------------|-------------|-------------|
| Sucking | R13R-4530A-6T2-3525 | 0313-4-0037 | 8.4 |
| Blowing | R13R-4530P-6T2-3525 | 0313-4-0112 | |

Aerodynamic characteristic



Fan characteristic measured in short bell mouth with guard grillErP characteristic measured in full bell mouth without guard grill



Fan with plate

| Airflow Direction | Type | Code | Weight (kg) |
|-------------------|---------------------|------------|-------------|
| Sucking | R13P-4530A-6T2-3525 | On request | |
| Blowing | R13P-4530P-6T2-3525 | On request | |

Fan without guard grill

| Airflow Direction | Type | Code | Weight (kg) |
|-------------------|---------------------|------------|-------------|
| Sucking | R13E-4530A-6T2-3525 | On request | |
| Blowing | R13E-4530P-6T2-3525 | On request | |

General notes

| | | |
|-----------------------------|-------------|----------|
| Connection diagram: Sucking | 0301-1-0033 | Page 147 |
| Blowing | 0301-1-0033 | |
| Accessories | | Page 134 |
| Compliant to standards | | Page 28 |

EC AXIAL FANS

AC AXIAL FANS
SICKLED BLADES

AC AXIAL FANS
PLASTIC BLADES

AC AXIAL FANS
PADDLE BLADES

AC RADIAL FANS
BACKWARD CURVED BLADES

ACCESSORIES

CONNECTION DIAGRAMS

Diameter:

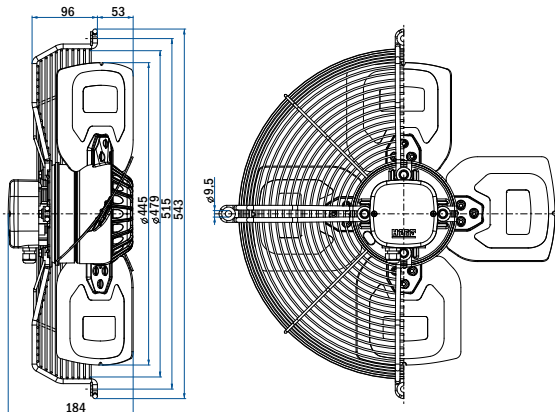
450 mm

R13_-4535_-6T2-3526



Fan with guard grill

| Airflow Direction | Type | Code | Weight (kg) |
|-------------------|---------------------|-------------|-------------|
| Sucking | R13R-4535A-6T2-3526 | 0313-4-0143 | 8.4 |
| Blowing | R13R-4535P-6T2-3526 | On request | |



Fan with plate

| Airflow Direction | Type | Code | Weight (kg) |
|-------------------|---------------------|------------|-------------|
| Sucking | R13P-4535A-6T2-3526 | On request | |
| Blowing | R13P-4535P-6T2-3526 | On request | |

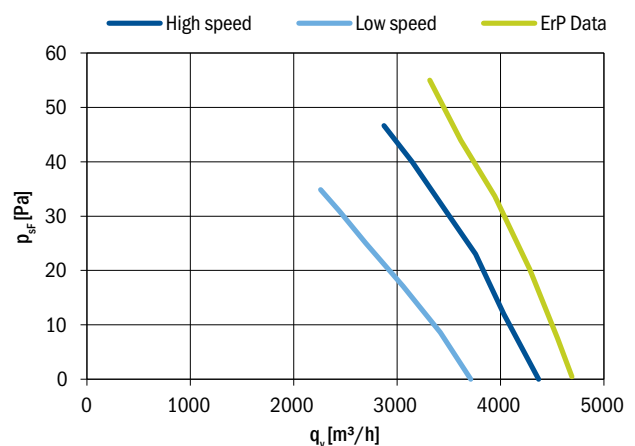
Fan without guard grill

| Airflow Direction | Type | Code | Weight (kg) |
|-------------------|---------------------|------------|-------------|
| Sucking | R13E-4535A-6T2-3526 | On request | |
| Blowing | R13E-4535P-6T2-3526 | On request | |

| Nominal data according to standard EN 60335: | |
|--|--------------|
| Phase | 3~ |
| Nominal voltage | 400 V |
| Frequency | 50 Hz |
| Speed | high/low |
| Rated power input | 160/110 W |
| Rated current | 0.37/0.19 A |
| Rated speed | 915/765 RPM |
| Min. ambient temperature | -30 °C |
| Max. ambient temperature | 70/70 °C |
| Sound power level A weighted | 69/64 dB (A) |
| Connection | terminal box |
| Insulation class | 155 |
| Protection class | IP54 |

| ErP data according to EU regulation 327/2011: | |
|---|------------------------|
| Overall efficiency | 25.7 % |
| Measurement category | A |
| Efficiency category | static |
| Efficiency grade N | 36.5 |
| Variable speed drive | NO |
| Power input | 196 W |
| Air flow | 3032 m ³ /h |
| Pressure drop | 63 Pa |
| Speed | 906 RPM |
| Specific ratio | 1.00 |

Aerodynamic characteristic



Fan characteristic measured in short bell mouth with guard grill
ErP characteristic measured in full bell mouth without guard grill

| General notes | | |
|-----------------------------|-------------|----------|
| Connection diagram: Sucking | 0301-1-0033 | Page 147 |
| Blowing | 0301-1-0033 | |
| Accessories | | Page 134 |
| Compliant to standards | | Page 28 |

R13_-5025_-4M-5009

Diameter:

500 mm

Nominal data according to standard EN 60335:

| | |
|------------------------------|--------------|
| Phase | 1~ |
| Nominal voltage | 230 V |
| Frequency | 50 Hz |
| Rated power input | 440 W |
| Rated current | 2,0 A |
| Rated speed | 1340 RPM |
| Min. ambient temperature | -30 °C |
| Max. ambient temperature | 70 °C |
| Sound power level A weighted | 78 dB (A) |
| Condensator | 8 µF/450 V |
| Connection | terminal box |
| Insulation class | 155 |
| Protection class | IP54 |

ErP data according to EU regulation 327/2011:

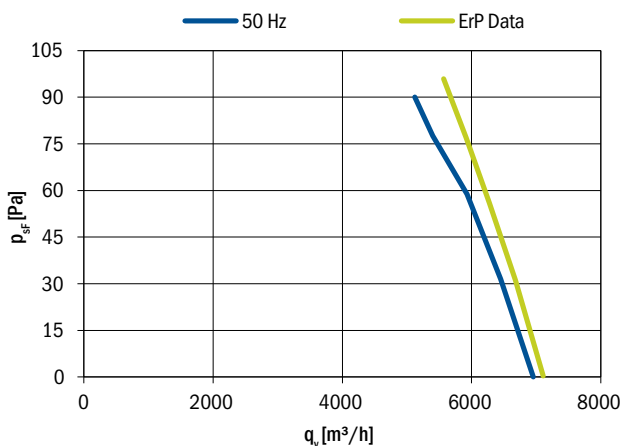
| | |
|----------------------|-----------|
| Overall efficiency | 32.6 % |
| Measurement category | A |
| Efficiency category | static |
| Efficiency grade N | 40.9 |
| Variable speed drive | NO |
| Power input | 488 W |
| Air flow | 4844 m³/h |
| Pressure drop | 122 Pa |
| Speed | 1309 RPM |
| Specific ratio | 1.00 |



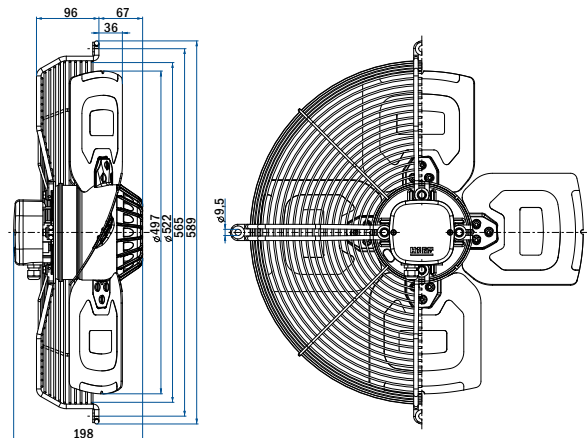
Fan with guard grill

| Airflow Direction | Type | Code | Weight (kg) |
|-------------------|--------------------|-------------|-------------|
| Sucking | R13R-5025A-4M-5009 | 0313-4-0073 | 10.4 |
| Blowing | R13R-5025P-4M-5009 | 0313-4-0222 | |

Aerodynamic characteristic



Fan characteristic measured in short bell mouth with guard grillErP characteristic measured in full bell mouth without guard grill



Fan with plate

| Airflow Direction | Type | Code | Weight (kg) |
|-------------------|--------------------|------------|-------------|
| Sucking | R13P-5025A-4M-5009 | On request | |
| Blowing | R13P-5025P-4M-5009 | On request | |

Fan without guard grill

| Airflow Direction | Type | Code | Weight (kg) |
|-------------------|--------------------|------------|-------------|
| Sucking | R13E-5025A-4M-5009 | On request | |
| Blowing | R13E-5025P-4M-5009 | On request | |

General notes

| | | |
|-----------------------------|-------------|----------|
| Connection diagram: Sucking | 0301-1-0044 | Page 145 |
| Blowing | 0301-1-0043 | |
| Accessories | | Page 134 |
| Compliant to standards | | Page 28 |

Diameter:

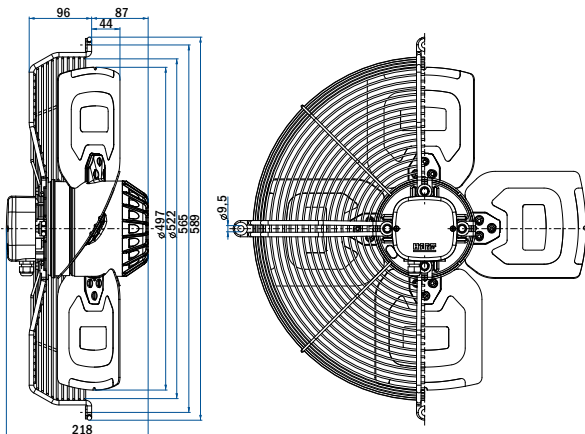
500 mm

R13_-5030_-4M-7012



Fan with guard grill

| Airflow Direction | Type | Code | Weight (kg) |
|-------------------|--------------------|-------------|-------------|
| Sucking | R13R-5030A-4M-7012 | 0313-4-0011 | 12.5 |
| Blowing | R13R-5030P-4M-7012 | 0313-4-0062 | |



Fan with plate

| Airflow Direction | Type | Code | Weight (kg) |
|-------------------|--------------------|------------|-------------|
| Sucking | R13P-5030A-4M-7012 | On request | |
| Blowing | R13P-5030P-4M-7012 | On request | |

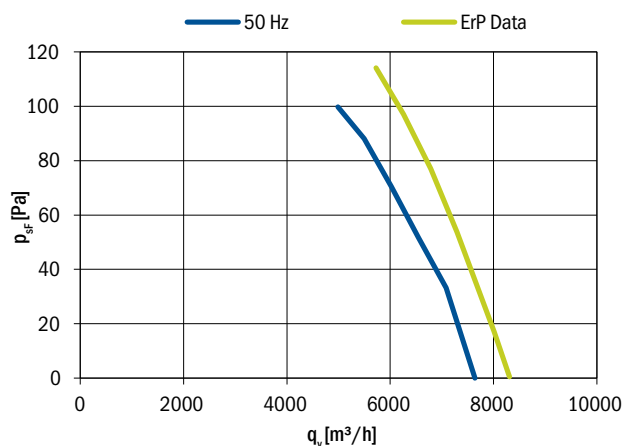
Fan without guard grill

| Airflow Direction | Type | Code | Weight (kg) |
|-------------------|--------------------|------------|-------------|
| Sucking | R13E-5030A-4M-7012 | On request | |
| Blowing | R13E-5030P-4M-7012 | On request | |

| Nominal data according to standard EN 60335: | |
|--|--------------|
| Phase | 1~ |
| Nominal voltage | 230 V |
| Frequency | 50 Hz |
| Rated power input | 550 W |
| Rated current | 2.5 A |
| Rated speed | 1300 RPM |
| Min. ambient temperature | -30 °C |
| Max. ambient temperature | 70 °C |
| Sound power level A weighted | 82 dB (A) |
| Condensator | 10 µF/450 V |
| Connection | terminal box |
| Insulation class | 155 |
| Protection class | IP54 |

| ErP data according to EU regulation 327/2011: | |
|---|-----------|
| Overall efficiency | 29.1 % |
| Measurement category | A |
| Efficiency category | static |
| Efficiency grade N | 36.8 |
| Variable speed drive | NO |
| Power input | 599 W |
| Air flow | 5724 m³/h |
| Pressure drop | 114 Pa |
| Speed | 1273 RPM |
| Specific ratio | 1.00 |

Aerodynamic characteristic



Fan characteristic measured in short bell mouth with guard grill
ErP characteristic measured in full bell mouth without guard grill

| General notes | | |
|-----------------------------|-------------|----------|
| Connection diagram: Sucking | 0301-1-0044 | Page 145 |
| Blowing | 0301-1-0043 | |
| Accessories | | Page 134 |
| Compliant to standards | | Page 28 |

R13_-5025_-4T2-5004

Diameter:

500 mm

Nominal data according to standard EN 60335:

| | |
|------------------------------|---------------|
| Phase | 3~ |
| Nominal voltage | 400 V |
| Frequency | 50 Hz |
| Speed | high/low |
| Rated power input | 455/325 W |
| Rated current | 0.95/0.53 A |
| Rated speed | 1380/1150 RPM |
| Min. ambient temperature | -30 °C |
| Max. ambient temperature | 50/50 °C |
| Sound power level A weighted | 78/74 dB (A) |
| Connection | terminal box |
| Insulation class | 155 |
| Protection class | IP54 |

ErP data according to EU regulation 327/2011:

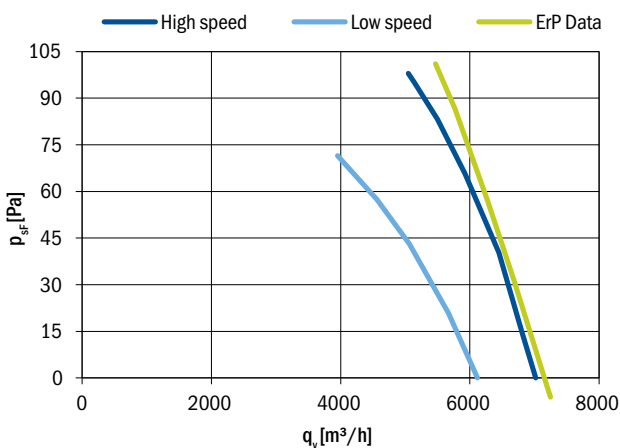
| | |
|----------------------|-----------|
| Overall efficiency | 33.5 % |
| Measurement category | A |
| Efficiency category | static |
| Efficiency grade N | 41.9 |
| Variable speed drive | NO |
| Power input | 470 W |
| Air flow | 4894 m³/h |
| Pressure drop | 120 Pa |
| Speed | 1368 RPM |
| Specific ratio | 1.00 |



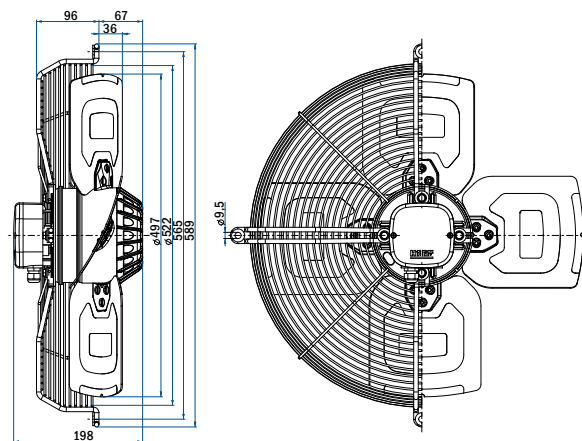
Fan with guard grill

| Airflow Direction | Type | Code | Weight (kg) |
|-------------------|---------------------|-------------|-------------|
| Sucking | R13R-5025A-4T2-5004 | 0313-4-0137 | 10.4 |
| Blowing | R13R-5025P-4T2-5004 | 0313-4-0158 | |

Aerodynamic characteristic



Fan characteristic measured in short bell mouth with guard grillErP characteristic measured in full bell mouth without guard grill



Fan with plate

| Airflow Direction | Type | Code | Weight (kg) |
|-------------------|---------------------|------------|-------------|
| Sucking | R13P-5025A-4T2-5004 | On request | |
| Blowing | R13P-5025P-4T2-5004 | On request | |

Fan without guard grill

| Airflow Direction | Type | Code | Weight (kg) |
|-------------------|---------------------|------------|-------------|
| Sucking | R13E-5025A-4T2-5004 | On request | |
| Blowing | R13E-5025P-4T2-5004 | On request | |

General notes

| | | |
|-----------------------------|-------------|----------|
| Connection diagram: Sucking | 0301-1-0033 | Page 147 |
| Blowing | 0301-1-0033 | |
| Accessories | | Page 134 |
| Compliant to standards | | Page 28 |

Diameter:

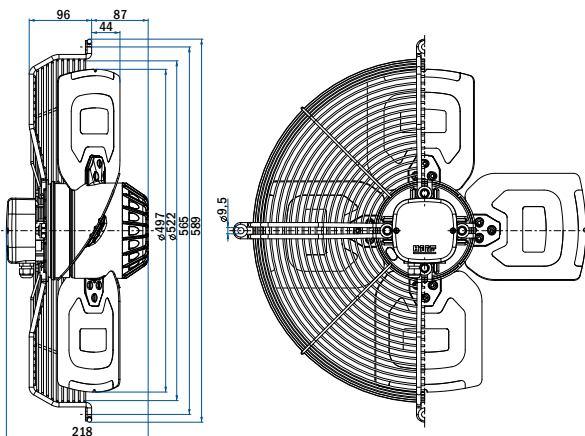
500 mm

R13_-5030_-4T2-7002



Fan with guard grill

| Airflow Direction | Type | Code | Weight (kg) |
|-------------------|---------------------|-------------|-------------|
| Sucking | R13R-5030A-4T2-7002 | 0313-4-0006 | 12.5 |
| Blowing | R13R-5030P-4T2-7002 | 0313-4-0097 | |



Fan with plate

| Airflow Direction | Type | Code | Weight (kg) |
|-------------------|---------------------|------------|-------------|
| Sucking | R13P-5030A-4T2-7002 | On request | |
| Blowing | R13P-5030P-4T2-7002 | On request | |

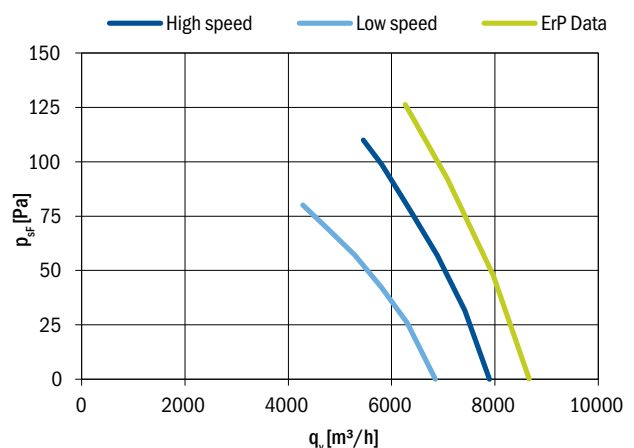
Fan without guard grill

| Airflow Direction | Type | Code | Weight (kg) |
|-------------------|---------------------|------------|-------------|
| Sucking | R13E-5030A-4T2-7002 | On request | |
| Blowing | R13E-5030P-4T2-7002 | On request | |

| Nominal data according to standard EN 60335: | |
|--|---------------|
| Phase | 3~ |
| Nominal voltage | 400 V |
| Frequency | 50 Hz |
| Speed | high/low |
| Rated power input | 560/410 W |
| Rated current | 1.25/0.70 A |
| Rated speed | 1380/1170 RPM |
| Min. ambient temperature | -30 °C |
| Max. ambient temperature | 70/70 °C |
| Sound power level A weighted | 81/75 dB (A) |
| Connection | terminal box |
| Insulation class | 155 |
| Protection class | IP54 |

| ErP data according to EU regulation 327/2011: | |
|---|------------------------|
| Overall efficiency | 33.6 % |
| Measurement category | A |
| Efficiency category | static |
| Efficiency grade N | 41.1 |
| Variable speed drive | NO |
| Power input | 647 W |
| Air flow | 5759 m ³ /h |
| Pressure drop | 141 Pa |
| Speed | 1365 RPM |
| Specific ratio | 1.00 |

Aerodynamic characteristic



Fan characteristic measured in short bell mouth with guard grillErP characteristic measured in full bell mouth without guard grill

| General notes | | |
|-----------------------------|-------------|----------|
| Connection diagram: Sucking | 0301-1-0033 | Page 147 |
| Blowing | 0301-1-0033 | |
| Accessories | | Page 134 |
| Compliant to standards | | Page 28 |

R13_-5035_-4T2-7002

Diameter:

500 mm

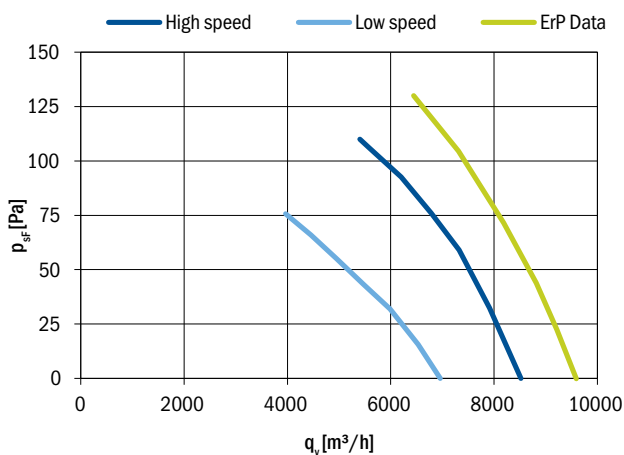
Nominal data according to standard EN 60335:

| | |
|------------------------------|---------------|
| Phase | 3~ |
| Nominal voltage | 400 V |
| Frequency | 50 Hz |
| Speed | high/low |
| Rated power input | 695/480 W |
| Rated current | 1,30/0.78 A |
| Rated speed | 1340/1070 RPM |
| Min. ambient temperature | -30 °C |
| Max. ambient temperature | 60/60 °C |
| Sound power level A weighted | 81/75 dB (A) |
| Connection | terminal box |
| Insulation class | 155 |
| Protection class | IP54 |

ErP data according to EU regulation 327/2011:

| | |
|----------------------|------------------------|
| Overall efficiency | 29.1 % |
| Measurement category | A |
| Efficiency category | static |
| Efficiency grade N | 36.1 |
| Variable speed drive | NO |
| Power input | 769 W |
| Air flow | 6442 m ³ /h |
| Pressure drop | 131 Pa |
| Speed | 1324 RPM |
| Specific ratio | 1.00 |

Aerodynamic characteristic



Fan characteristic measured in short bell mouth with guard grillErP characteristic measured in full bell mouth without guard grill

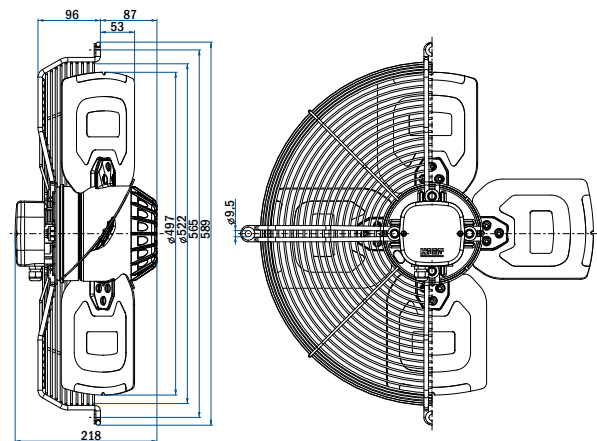
General notes

| | | |
|-----------------------------|-------------|----------|
| Connection diagram: Sucking | 0301-1-0033 | Page 147 |
| Blowing | 0301-1-0033 | |
| Accessories | | Page 134 |
| Compliant to standards | | Page 28 |



Fan with guard grill

| Airflow Direction | Type | Code | Weight (kg) |
|-------------------|---------------------|-------------|-------------|
| Sucking | R13R-5035A-4T2-7002 | 0313-4-0005 | 12.5 |
| Blowing | R13R-5035P-4T2-7002 | 0313-4-0249 | |



Fan with plate

| Airflow Direction | Type | Code | Weight (kg) |
|-------------------|---------------------|------------|-------------|
| Sucking | R13P-5035A-4T2-7002 | On request | |
| Blowing | R13P-5035P-4T2-7002 | On request | |

Fan without guard grill

| Airflow Direction | Type | Code | Weight (kg) |
|-------------------|---------------------|------------|-------------|
| Sucking | R13E-5035A-4T2-7002 | On request | |
| Blowing | R13E-5035P-4T2-7002 | On request | |

Diameter:

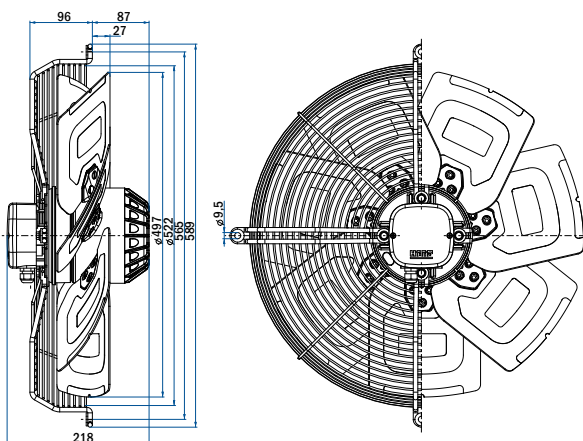
500 mm

R13_-5025_-6M-7099



Fan with guard grill

| Airflow Direction | Type | Code | Weight (kg) |
|-------------------|--------------------|-------------|-------------|
| Sucking | R13R-5025A-6M-7099 | 0313-4-0425 | 14.0 |
| Blowing | R13R-5025P-6M-7099 | On request | |



Fan with plate

| Airflow Direction | Type | Code | Weight (kg) |
|-------------------|--------------------|------------|-------------|
| Sucking | R13P-5025A-6M-7099 | On request | |
| Blowing | R13P-5025P-6M-7099 | On request | |

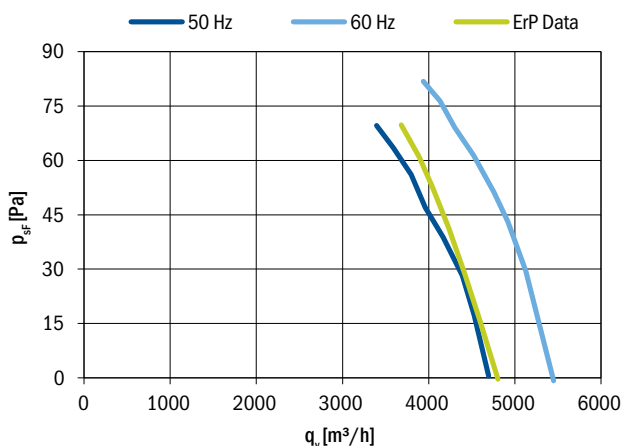
Fan without guard grill

| Airflow Direction | Type | Code | Weight (kg) |
|-------------------|--------------------|------------|-------------|
| Sucking | R13E-5025A-6M-7099 | On request | |
| Blowing | R13E-5025P-6M-7099 | On request | |

| Nominal data according to standard EN 60335: | |
|--|--------------|
| Phase | 1~ |
| Nominal voltage | 230 V |
| Frequency | 50/60 Hz |
| Rated power input | 230/300 W |
| Rated current | 1,00/1.42 A |
| Rated speed | 925/1050 RPM |
| Min. ambient temperature | -30 °C |
| Max. ambient temperature | 70/70 °C |
| Sound power level A weighted | 79/82 dB (A) |
| Condensator | 10 µF/450 V |
| Connection | terminal box |
| Insulation class | 155 |
| Protection class | IP54 |

| ErP data according to EU regulation 327/2011: | |
|---|-----------|
| Overall efficiency | 29.9 % |
| Measurement category | A |
| Efficiency category | static |
| Efficiency grade N | 40.3 |
| Variable speed drive | NO |
| Power input | 229 W |
| Air flow | 3681 m³/h |
| Pressure drop | 70 Pa |
| Speed | 924 RPM |
| Specific ratio | 1.00 |

Aerodynamic characteristic



Fan characteristic measured in short bell mouth with guard grillErP characteristic measured in full bell mouth without guard grill

| General notes | | |
|-----------------------------|-------------|----------|
| Connection diagram: Sucking | 0301-1-0044 | Page 145 |
| Blowing | 0301-1-0043 | |
| Accessories | | Page 134 |
| Compliant to standards | | Page 28 |

R13_-5035_-6T2-5016

Diameter:

500 mm

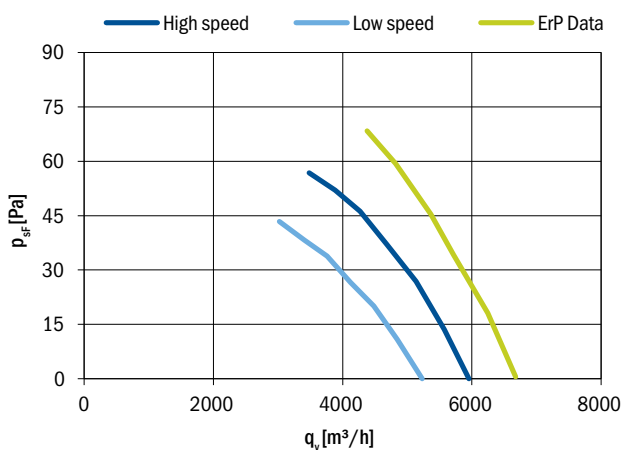
Nominal data according to standard EN 60335:

| | |
|------------------------------|--------------|
| Phase | 3~ |
| Nominal voltage | 400 V |
| Frequency | 50 Hz |
| Speed | high/low |
| Rated power input | 250/185 W |
| Rated current | 0.65/0.32 A |
| Rated speed | 930/800 RPM |
| Min. ambient temperature | -30 °C |
| Max. ambient temperature | 65/65 °C |
| Sound power level A weighted | 73/67 dB (A) |
| Connection | terminal box |
| Insulation class | 155 |
| Protection class | IP54 |

ErP data according to EU regulation 327/2011:

| | |
|----------------------|------------------------|
| Overall efficiency | 26.4 % |
| Measurement category | A |
| Efficiency category | static |
| Efficiency grade N | 36.0 |
| Variable speed drive | NO |
| Power input | 306 W |
| Air flow | 4378 m ³ /h |
| Pressure drop | 68 Pa |
| Speed | 930 RPM |
| Specific ratio | 1.00 |

Aerodynamic characteristic



Fan characteristic measured in short bell mouth with guard grillErP characteristic measured in full bell mouth without guard grill

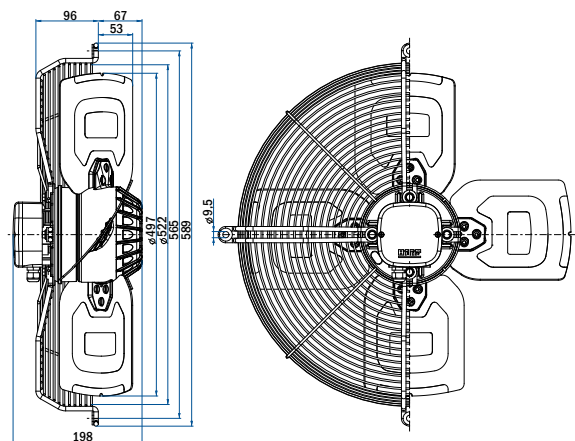
General notes

| | | |
|-----------------------------|-------------|----------|
| Connection diagram: Sucking | 0301-1-0033 | Page 147 |
| Blowing | 0301-1-0033 | |
| Accessories | | Page 134 |
| Compliant to standards | | Page 28 |



Fan with guard grill

| Airflow Direction | Type | Code | Weight (kg) |
|-------------------|---------------------|-------------|-------------|
| Sucking | R13R-5035A-6T2-5016 | 0313-4-0127 | 10.4 |
| Blowing | R13R-5035P-6T2-5016 | 0313-4-0089 | |



Fan with plate

| Airflow Direction | Type | Code | Weight (kg) |
|-------------------|---------------------|------------|-------------|
| Sucking | R13P-5035A-6T2-5016 | On request | |
| Blowing | R13P-5035P-6T2-5016 | On request | |

Fan without guard grill

| Airflow Direction | Type | Code | Weight (kg) |
|-------------------|---------------------|------------|-------------|
| Sucking | R13E-5035A-6T2-5016 | On request | |
| Blowing | R13E-5035P-6T2-5016 | On request | |

Diameter:

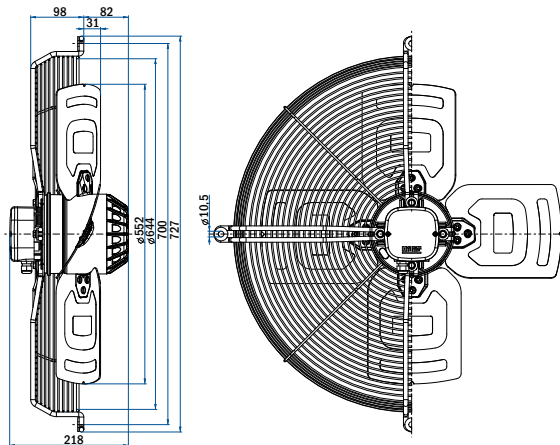
560 mm

R13_-5625_-4T2-7002



Fan with guard grill

| Airflow Direction | Type | Code | Weight (kg) |
|-------------------|---------------------|-------------|-------------|
| Sucking | R13R-5625A-4T2-7002 | 0313-4-0001 | 14.0 |
| Blowing | R13R-5625P-4T2-7002 | 0313-4-0052 | |



Fan with plate

| Airflow Direction | Type | Code | Weight (kg) |
|-------------------|---------------------|------------|-------------|
| Sucking | R13P-5625A-4T2-7002 | On request | |
| Blowing | R13P-5625P-4T2-7002 | On request | |

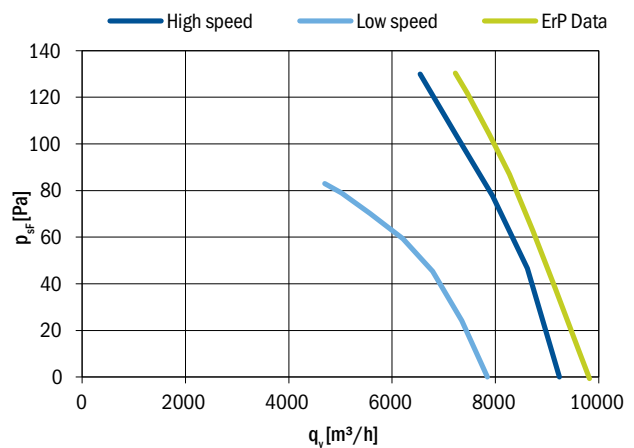
Fan without guard grill

| Airflow Direction | Type | Code | Weight (kg) |
|-------------------|---------------------|------------|-------------|
| Sucking | R13E-5625A-4T2-7002 | On request | |
| Blowing | R13E-5625P-4T2-7002 | On request | |

| Nominal data according to standard EN 60335: | |
|--|---------------|
| Phase | 3~ |
| Nominal voltage | 400 V |
| Frequency | 50 Hz |
| Speed | high/low |
| Rated power input | 670/450 W |
| Rated current | 1,30/0.73 A |
| Rated speed | 1360/1130 RPM |
| Min. ambient temperature | -30 °C |
| Max. ambient temperature | 65/65 °C |
| Sound power level A weighted | 83/76 dB (A) |
| Connection | terminal box |
| Insulation class | 155 |
| Protection class | IP54 |

| ErP data according to EU regulation 327/2011: | |
|---|------------------------|
| Overall efficiency | 36.7 % |
| Measurement category | A |
| Efficiency category | static |
| Efficiency grade N | 44.1 |
| Variable speed drive | NO |
| Power input | 682 W |
| Air flow | 7223 m ³ /h |
| Pressure drop | 130 Pa |
| Speed | 1343 RPM |
| Specific ratio | 1.00 |

Aerodynamic characteristic



Fan characteristic measured in short bell mouth with guard grillErP characteristic measured in full bell mouth without guard grill

| General notes | | |
|-----------------------------|-------------|----------|
| Connection diagram: Sucking | 0301-1-0033 | Page 147 |
| Blowing | 0301-1-0033 | |
| Accessories | | Page 134 |
| Compliant to standards | | Page 28 |

R13_-5625_-6M-X093

Diameter:

560 mm

Nominal data according to standard EN 60335:

| | |
|------------------------------|--------------|
| Phase | 1~ |
| Nominal voltage | 230 V |
| Frequency | 50 Hz |
| Rated power input | 330 W |
| Rated current | 1.5 A |
| Rated speed | 845 RPM |
| Min. ambient temperature | -30 °C |
| Max. ambient temperature | 70 °C |
| Sound power level A weighted | 73 dB (A) |
| Condensator | 6.3 µF/450 V |
| Connection | terminal box |
| Insulation class | 155 |
| Protection class | IP54 |

ErP data according to EU regulation 327/2011:

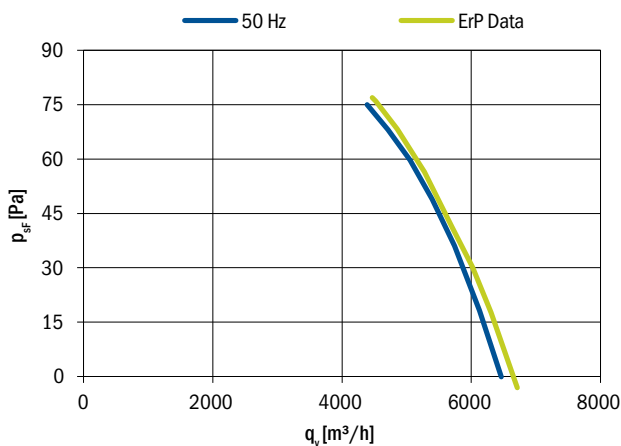
| | |
|----------------------|-----------|
| Overall efficiency | 32.7 % |
| Measurement category | A |
| Efficiency category | static |
| Efficiency grade N | 42.5 |
| Variable speed drive | NO |
| Power input | 282 W |
| Air flow | 4468 m³/h |
| Pressure drop | 77 Pa |
| Speed | 891 RPM |
| Specific ratio | 1.00 |



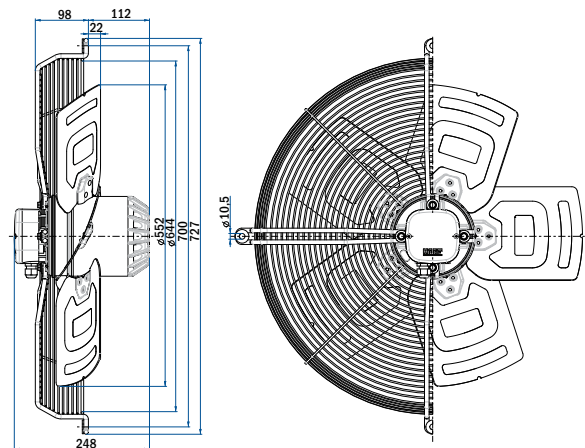
Fan with guard grill

| Airflow Direction | Type | Code | Weight (kg) |
|-------------------|--------------------|-------------|-------------|
| Sucking | R13R-5625A-6M-X093 | 0313-4-0415 | 16.0 |
| Blowing | R13R-5625P-6M-X093 | On request | |

Aerodynamic characteristic



Fan characteristic measured in short bell mouth with guard grillErP characteristic measured in full bell mouth without guard grill



Fan with plate

| Airflow Direction | Type | Code | Weight (kg) |
|-------------------|--------------------|------------|-------------|
| Sucking | R13P-5625A-6M-X093 | On request | |
| Blowing | R13P-5625P-6M-X093 | On request | |

Fan without guard grill

| Airflow Direction | Type | Code | Weight (kg) |
|-------------------|--------------------|------------|-------------|
| Sucking | R13E-5625A-6M-X093 | On request | |
| Blowing | R13E-5625P-6M-X093 | On request | |

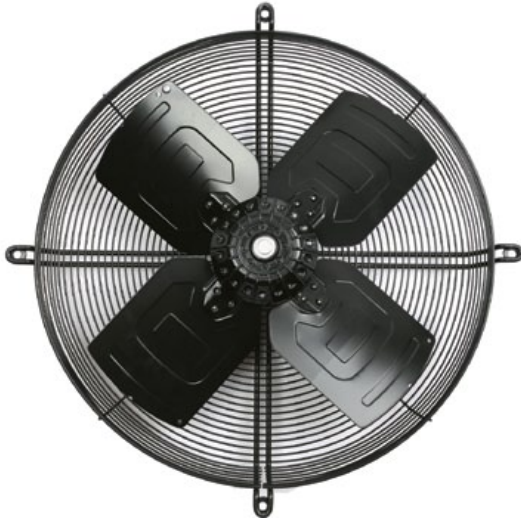
General notes

| | | |
|-----------------------------|-------------|----------|
| Connection diagram: Sucking | 0301-1-0044 | Page 145 |
| Blowing | 0301-1-0043 | |
| Accessories | | Page 134 |
| Compliant to standards | | Page 28 |

Diameter:

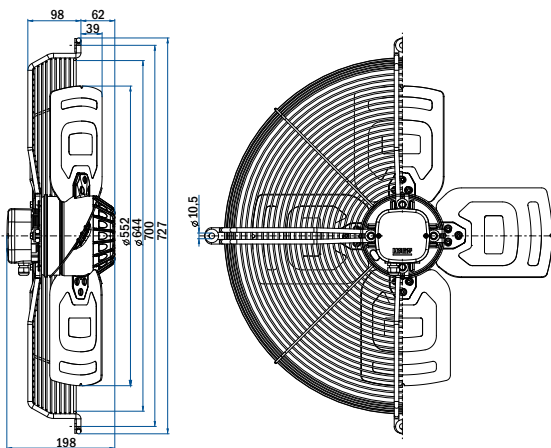
560 mm

R13_-5630_-6T2-5016



Fan with guard grill

| Airflow Direction | Type | Code | Weight (kg) |
|-------------------|---------------------|-------------|-------------|
| Sucking | R13R-5630A-6T2-5016 | 0313-4-0029 | 11.9 |
| Blowing | R13R-5630P-6T2-5016 | 0313-4-0080 | |



Fan with plate

| Airflow Direction | Type | Code | Weight (kg) |
|-------------------|---------------------|------------|-------------|
| Sucking | R13P-5630A-6T2-5016 | On request | |
| Blowing | R13P-5630P-6T2-5016 | On request | |

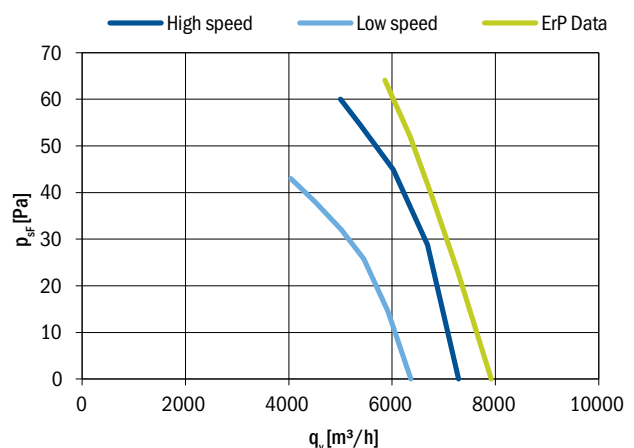
Fan without guard grill

| Airflow Direction | Type | Code | Weight (kg) |
|-------------------|---------------------|------------|-------------|
| Sucking | R13E-5630A-6T2-5016 | On request | |
| Blowing | R13E-5630P-6T2-5016 | On request | |

| Nominal data according to standard EN 60335: | |
|--|--------------|
| Phase | 3~ |
| Nominal voltage | 400 V |
| Frequency | 50 Hz |
| Speed | high/low |
| Rated power input | 305/210 W |
| Rated current | 0,70/0.36 A |
| Rated speed | 920/780 RPM |
| Min. ambient temperature | -30 °C |
| Max. ambient temperature | 60/60 °C |
| Sound power level A weighted | 72/68 dB (A) |
| Connection | terminal box |
| Insulation class | 155 |
| Protection class | IP54 |

| ErP data according to EU regulation 327/2011: | |
|---|------------------------|
| Overall efficiency | 30.1 % |
| Measurement category | A |
| Efficiency category | static |
| Efficiency grade N | 39.3 |
| Variable speed drive | NO |
| Power input | 355 W |
| Air flow | 5219 m ³ /h |
| Pressure drop | 77 Pa |
| Speed | 908 RPM |
| Specific ratio | 1.00 |

Aerodynamic characteristic



Fan characteristic measured in short bell mouth with guard grill
ErP characteristic measured in full bell mouth without guard grill

| General notes | | |
|-----------------------------|-------------|----------|
| Connection diagram: Sucking | 0301-1-0033 | Page 147 |
| Blowing | 0301-1-0033 | |
| Accessories | | Page 134 |
| Compliant to standards | | Page 28 |

R13_-5635_-6T2-7021

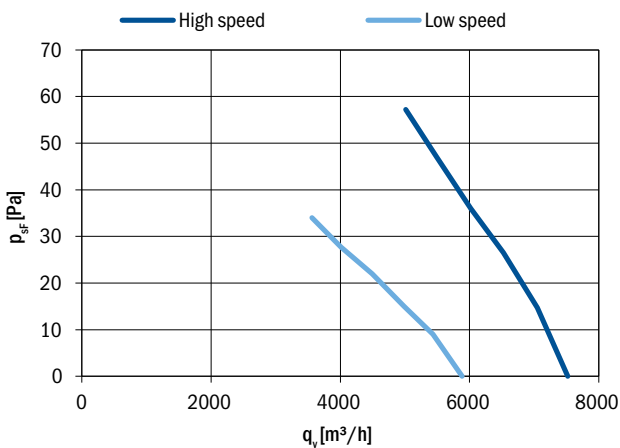
Diameter:

560 mm

Nominal data according to standard EN 60335:

| | |
|------------------------------|--------------|
| Phase | 3~ |
| Nominal voltage | 400 V |
| Frequency | 50 Hz |
| Speed | high/low |
| Rated power input | 345/215 W |
| Rated current | 0.63/0.36 A |
| Rated speed | 870/660 RPM |
| Min. ambient temperature | -30 °C |
| Max. ambient temperature | 70/70 °C |
| Sound power level A weighted | 74/67 dB (A) |
| Connection | terminal box |
| Insulation class | 155 |
| Protection class | IP54 |

Aerodynamic characteristic

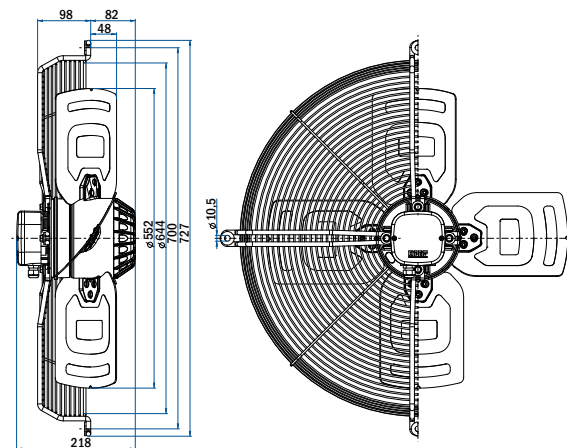


Fan characteristic measured in short bell mouth with guard grill



Fan with guard grill

| Airflow Direction | Type | Code | Weight (kg) |
|-------------------|---------------------|-------------|-------------|
| Sucking | R13R-5635A-6T2-7021 | 0313-4-0065 | 14.0 |
| Blowing | R13R-5635P-6T2-7021 | 0313-4-0079 | |



Fan with plate

| Airflow Direction | Type | Code | Weight (kg) |
|-------------------|---------------------|------------|-------------|
| Sucking | R13P-5635A-6T2-7021 | On request | |
| Blowing | R13P-5635P-6T2-7021 | On request | |

Fan without guard grill

| Airflow Direction | Type | Code | Weight (kg) |
|-------------------|---------------------|------------|-------------|
| Sucking | R13E-5635A-6T2-7021 | On request | |
| Blowing | R13E-5635P-6T2-7021 | On request | |

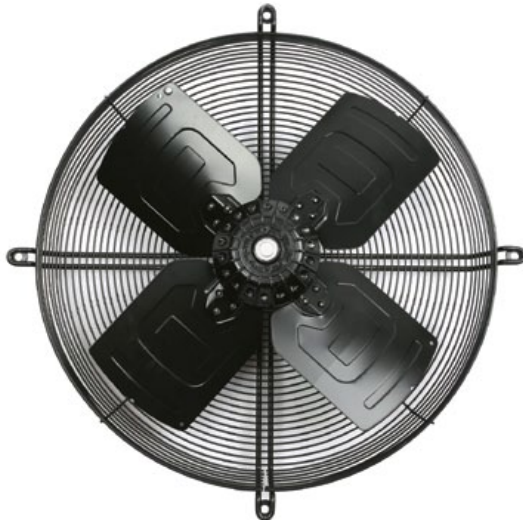
General notes

| | | |
|-----------------------------|-------------|----------|
| Connection diagram: Sucking | 0301-1-0033 | Page 147 |
| Blowing | 0301-1-0033 | |
| Accessories | | Page 134 |
| Compliant to standards | | Page 28 |

Diameter:

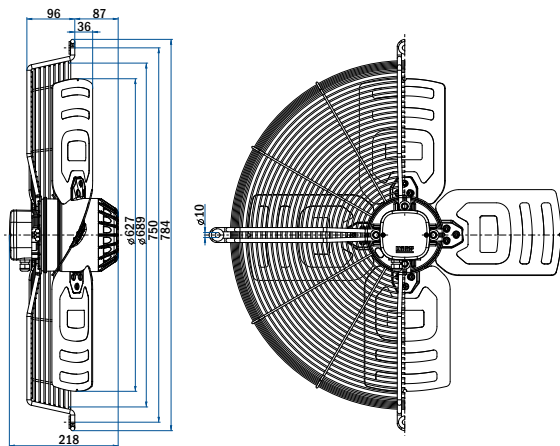
630 mm

R13_-6325_-6M-7019



Fan with guard grill

| Airflow Direction | Type | Code | Weight (kg) |
|-------------------|--------------------|-------------|-------------|
| Sucking | R13R-6325A-6M-7019 | 0313-4-0091 | 14.6 |
| Blowing | R13R-6325P-6M-7019 | 0313-4-0105 | |



Fan with plate

| Airflow Direction | Type | Code | Weight (kg) |
|-------------------|--------------------|------------|-------------|
| Sucking | R13P-6325A-6M-7019 | On request | |
| Blowing | R13P-6325P-6M-7019 | On request | |

Fan without guard grill

| Airflow Direction | Type | Code | Weight (kg) |
|-------------------|--------------------|------------|-------------|
| Sucking | R13E-6325A-6M-7019 | On request | |
| Blowing | R13E-6325P-6M-7019 | On request | |

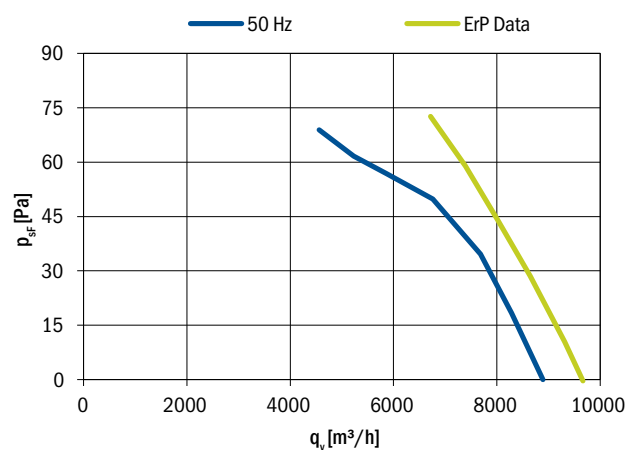
Nominal data according to standard EN 60335:

| | |
|------------------------------|---------------|
| Phase | 1~ |
| Nominal voltage | 230 V |
| Frequency | 50 Hz |
| Rated power input | 400 W |
| Rated current | 1.8 A |
| Rated speed | 925 RPM |
| Min. ambient temperature | -30 °C |
| Max. ambient temperature | 50 °C |
| Sound power level A weighted | 70 dB (A) |
| Condensator | 12.5 µF/450 V |
| Connection | terminal box |
| Insulation class | 155 |
| Protection class | IP54 |

ErP data according to EU regulation 327/2011:

| | |
|----------------------|-----------|
| Overall efficiency | 29.7 % |
| Measurement category | A |
| Efficiency category | static |
| Efficiency grade N | 38.3 |
| Variable speed drive | NO |
| Power input | 434 W |
| Air flow | 6714 m³/h |
| Pressure drop | 73 Pa |
| Speed | 879 RPM |
| Specific ratio | 1.00 |

Aerodynamic characteristic



Fan characteristic measured in short bell mouth with guard grill
ErP characteristic measured in full bell mouth without guard grill

General notes

| | | |
|-----------------------------|-------------|----------|
| Connection diagram: Sucking | 0301-1-0044 | Page 145 |
| Blowing | 0301-1-0043 | |
| Accessories | | Page 134 |
| Compliant to standards | | Page 28 |

R13_-6330_-6T2-7021

Diameter:

630 mm

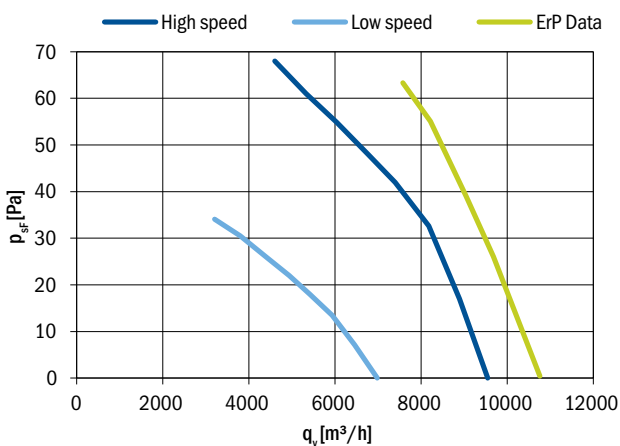
Nominal data according to standard EN 60335:

| | |
|------------------------------|--------------|
| Phase | 3~ |
| Nominal voltage | 400 V |
| Frequency | 50 Hz |
| Speed | high/low |
| Rated power input | 390/225 W |
| Rated current | 0,70/0,38 A |
| Rated speed | 840/590 RPM |
| Min. ambient temperature | -30 °C |
| Max. ambient temperature | 70/70 °C |
| Sound power level A weighted | 78/69 dB (A) |
| Connection | terminal box |
| Insulation class | 155 |
| Protection class | IP54 |

ErP data according to EU regulation 327/2011:

| | |
|----------------------|-----------|
| Overall efficiency | 28.0 % |
| Measurement category | A |
| Efficiency category | static |
| Efficiency grade N | 36.5 |
| Variable speed drive | NO |
| Power input | 459 W |
| Air flow | 7573 m³/h |
| Pressure drop | 63 Pa |
| Speed | 830 RPM |
| Specific ratio | 1.00 |

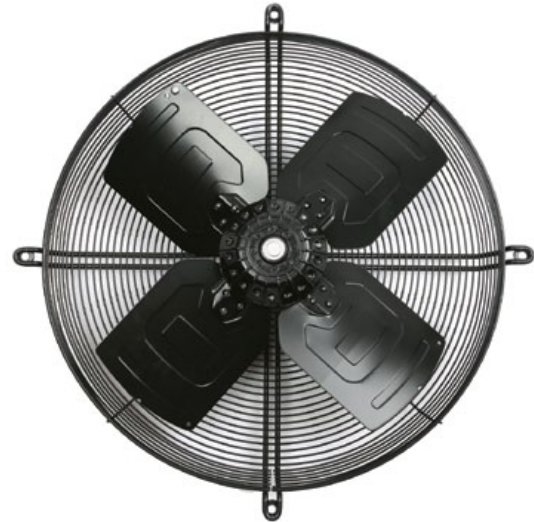
Aerodynamic characteristic



Fan characteristic measured in short bell mouth with guard grillErP characteristic measured in full bell mouth without guard grill

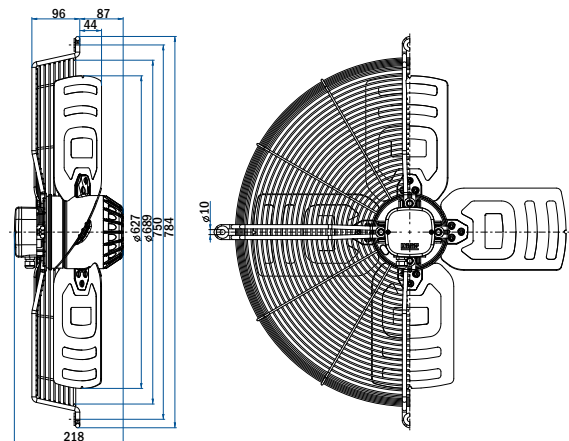
General notes

| | | |
|-----------------------------|-------------|----------|
| Connection diagram: Sucking | 0301-1-0033 | Page 147 |
| Blowing | 0301-1-0033 | |
| Accessories | | Page 134 |
| Compliant to standards | | Page 28 |



Fan with guard grill

| Airflow Direction | Type | Code | Weight (kg) |
|-------------------|---------------------|-------------|-------------|
| Sucking | R13R-6330A-6T2-7021 | 0313-4-0050 | 14.6 |
| Blowing | R13R-6330P-6T2-7021 | 0313-4-0048 | |



Fan with plate

| Airflow Direction | Type | Code | Weight (kg) |
|-------------------|---------------------|------------|-------------|
| Sucking | R13P-6330A-6T2-7021 | On request | |
| Blowing | R13P-6330P-6T2-7021 | On request | |

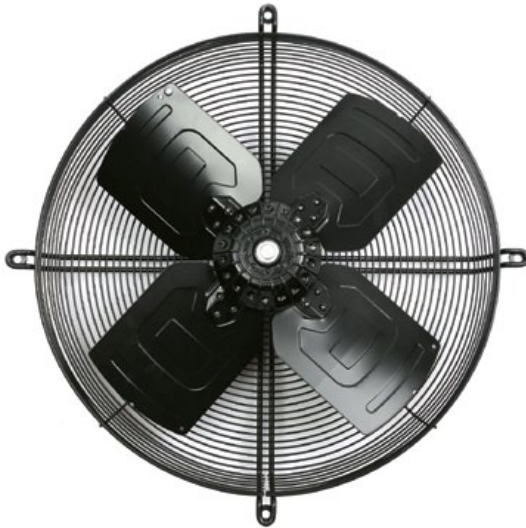
Fan without guard grill

| Airflow Direction | Type | Code | Weight (kg) |
|-------------------|---------------------|------------|-------------|
| Sucking | R13E-6330A-6T2-7021 | On request | |
| Blowing | R13E-6330P-6T2-7021 | On request | |

Diameter:

630 mm

R13_-6335_-8M-7049

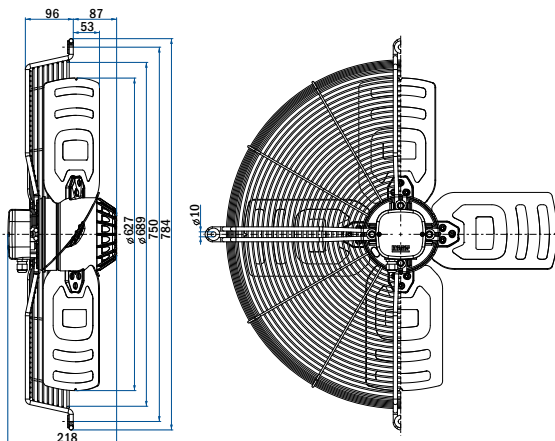


Nominal data according to standard EN 60335:

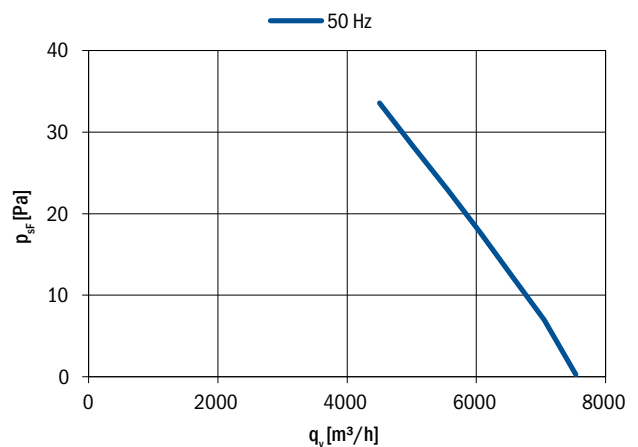
| | |
|------------------------------|--------------|
| Phase | 1~ |
| Nominal voltage | 230 V |
| Frequency | 50 Hz |
| Rated power input | 265 W |
| Rated current | 1.2 A |
| Rated speed | 610 RPM |
| Min. ambient temperature | -30 °C |
| Max. ambient temperature | 70 °C |
| Sound power level A weighted | 70 dB (A) |
| Condensator | 8 µF/450 V |
| Connection | terminal box |
| Insulation class | 155 |
| Protection class | IP54 |

Fan with guard grill

| Airflow Direction | Type | Code | Weight (kg) |
|-------------------|--------------------|-------------|-------------|
| Sucking | R13R-6335A-8M-7049 | 0313-4-0231 | 14.6 |
| Blowing | R13R-6335P-8M-7049 | 0313-4-0234 | |



Aerodynamic characteristic



Fan characteristic measured in short bell mouth with guard grill

Fan with plate

| Airflow Direction | Type | Code | Weight (kg) |
|-------------------|--------------------|------------|-------------|
| Sucking | R13P-6335A-8M-7049 | On request | |
| Blowing | R13P-6335P-8M-7049 | On request | |

Fan without guard grill

| Airflow Direction | Type | Code | Weight (kg) |
|-------------------|--------------------|------------|-------------|
| Sucking | R13E-6335A-8M-7049 | On request | |
| Blowing | R13E-6335P-8M-7049 | On request | |

General notes

| | | |
|-----------------------------|-------------|----------|
| Connection diagram: Sucking | 0301-1-0044 | Page 145 |
| Blowing | 0301-1-0043 | |
| Accessories | | Page 134 |
| Compliant to standards | | Page 28 |

EC AXIAL FANS

AC AXIAL FANS
SICKLED BLADES

AC AXIAL FANS
PLASTIC BLADES

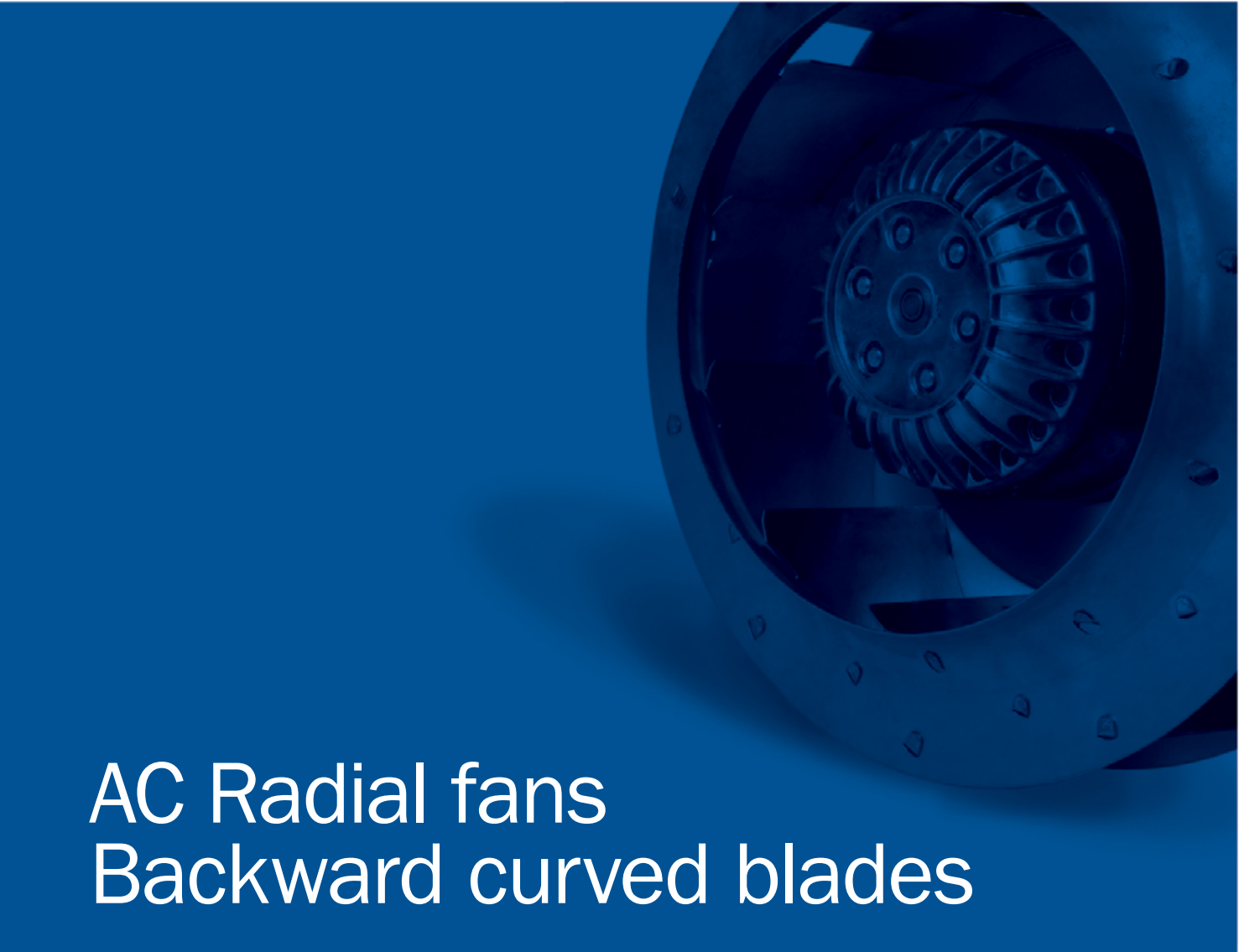
**AC AXIAL FANS
PADDLE BLADES**

AC RADIAL FANS
BACKWARD CURVED BLADES

ACCESSORIES

CONNECTION DIAGRAMS

05



AC Radial fans Backward curved blades

EC AXIAL FANS

AC AXIAL FANS
SICKLED BLADES

AC AXIAL FANS
PLASTIC BLADES

AC AXIAL FANS
PADDLE BLADES

AC RADIAL FANS
BACKWARD CURVED BLADES

ACCESSORIES

CONNECTION DIAGRAMS

AC Radial fans

Backward curved blades



Radial fans with induction (AC) motors



Plastic wheels
Diameter: 190 mm



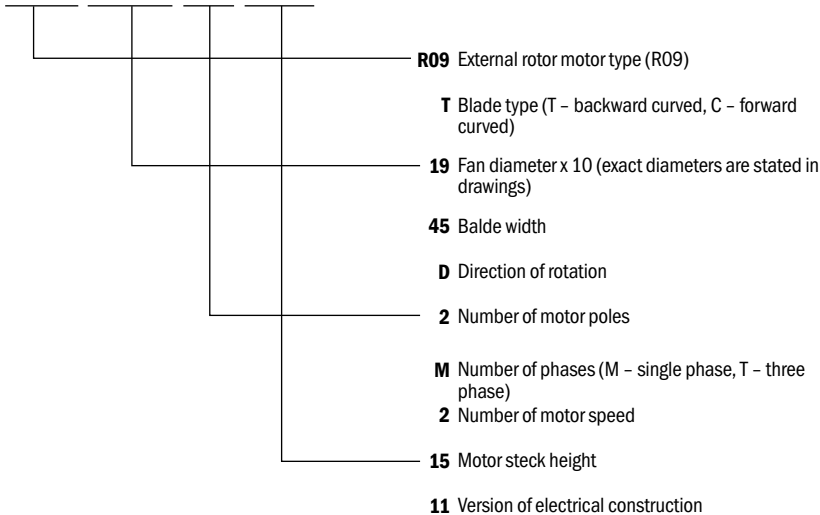
Steel wheels
Diameters: 220-250 mm



Steel impellers
Diameters: 150-180 mm

Example of type key:

R09T-1945D-2M2-1511



Diameter:

190 mm

R09_-1945D-2M-1511



Nominal data according to standard EN 60335:

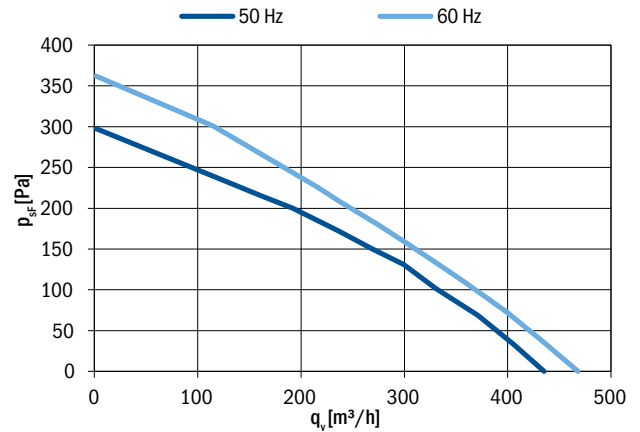
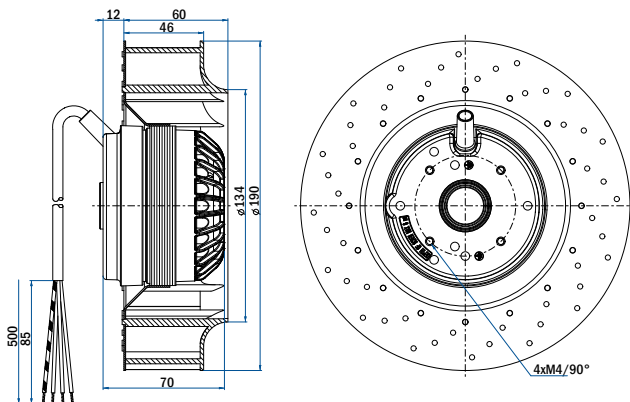
| | |
|------------------------------|---------------|
| Phase | 1~ |
| Nominal voltage | 230 V |
| Frequency | 50/60 Hz |
| Rated power input | 50/63 W |
| Rated current | 0.21/0.27 A |
| Rated speed | 2400/2530 RPM |
| Min. ambient temperature | -30 °C |
| Max. ambient temperature | 50/50 °C |
| Sound power level A weighted | 60/62 dB (A) |
| Condensator | 2 µF/450 V |
| Connection | cablc |
| Insulation class | 155 |
| Protection class | IP44 |

ErP data according to EU regulation 327/2011:

Is not subject to the EU regulation 327/2011.

Power input lower than 125 W.

| Type | Code | Weight (kg) |
|--------------------|-------------|-------------|
| R09T-1945D-2M-1511 | 0309-4-0079 | 1.4 |



General notes

Connection diagram:

0301-1-0002

Page 145

R09_-2250D-2M-3510

Diameter: 225 mm

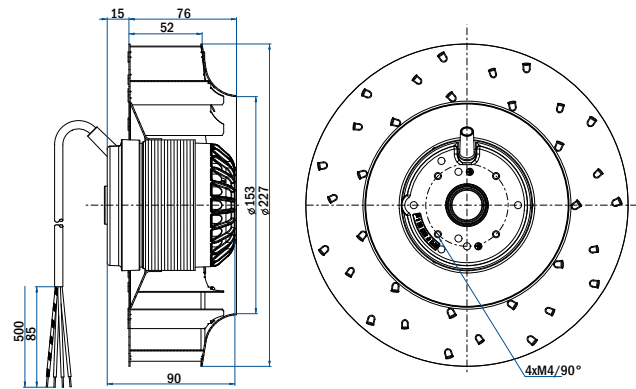
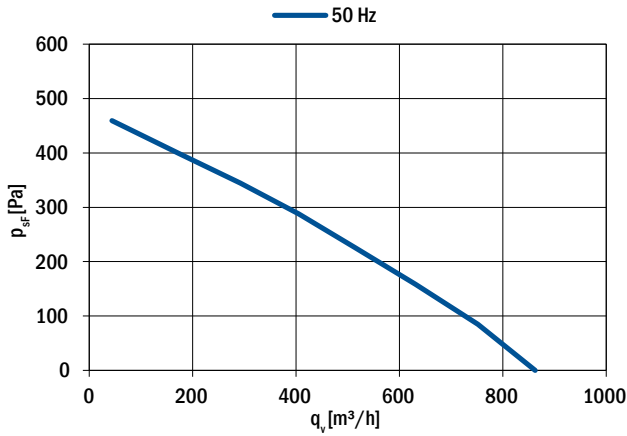
Nominal data according to standard EN 60335:

| | |
|------------------------------|---------------|
| Phase | 1~ |
| Nominal voltage | 230 V |
| Frequency | 50 Hz |
| Rated power input | 98 W |
| Rated current | 0.42 A |
| Rated speed | 2450 RPM |
| Min. ambient temperature | -30 °C |
| Max. ambient temperature | 50 °C |
| Sound power level A weighted | 70 dB (A) |
| Condensator | 3.15 µF/450 V |
| Connection | cable |
| Insulation class | 155 |
| Protection class | IP44 |

ErP data according to EU regulation 327/2011:
Is not subject to the EU regulation 327/2011.
 Power input lower than 125 W.



| Type | Code | Weight (kg) |
|--------------------|-------------|-------------|
| R09T-2250D-2M-3510 | 0309-4-0066 | 2.5 |



General notes
 Connection diagram: 0301-1-0002 Page 145

Diameter:

250 mm

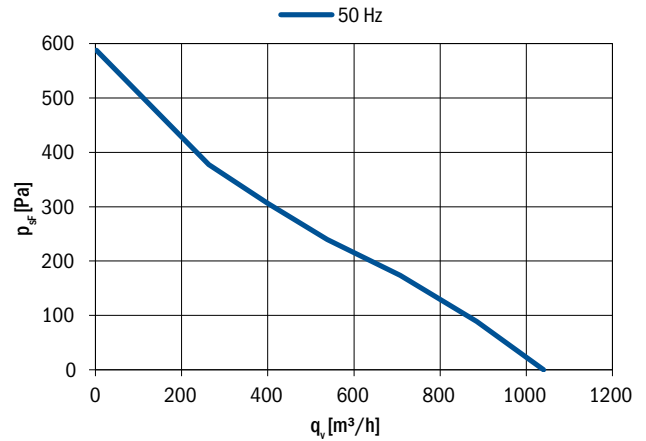
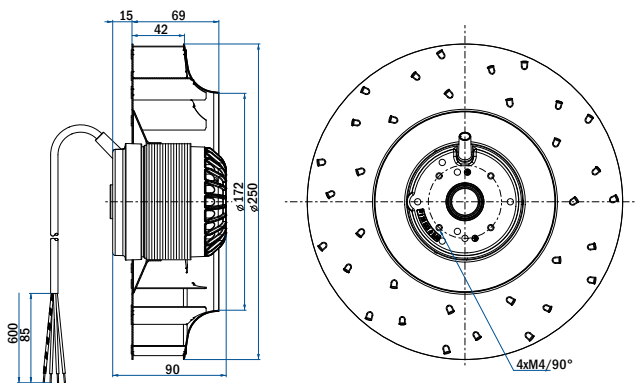
R09_-2540D-2M-3510



Nominal data according to standard EN 60335:

| | |
|------------------------------|------------|
| Phase | 1~ |
| Nominal voltage | 230 V |
| Frequency | 50 Hz |
| Rated power input | 120 W |
| Rated current | 0.52 A |
| Rated speed | 2350 RPM |
| Min. ambient temperature | -30 °C |
| Max. ambient temperature | 50 °C |
| Sound power level A weighted | 72 dB (A) |
| Condensator | 4 µF/450 V |
| Connection | cablе |
| Insulation class | 155 |
| Protection class | IP44 |

| Type | Code | Weight (kg) |
|--------------------|-------------|-------------|
| R09T-2540D-2M-3510 | 0309-4-0025 | 2.6 |



General notes

Connection diagram:

0301-1-0002

Page 145

R09_-2540D-4M-2502

Diameter:

250 mm

Nominal data according to standard EN 60335:

| | |
|------------------------------|---------------|
| Phase | 1~ |
| Nominal voltage | 230 V |
| Frequency | 50/60 Hz |
| Rated power input | 43/50 W |
| Rated current | 0.20/0.21 A |
| Rated speed | 1380/1600 RPM |
| Min. ambient temperature | -30 °C |
| Max. ambient temperature | 45/50 °C |
| Sound power level A weighted | 65/68 dB (A) |
| Condensator | 1.5 µF/450 V |
| Connection | cable |
| Insulation class | 155 |
| Protection class | IP44 |

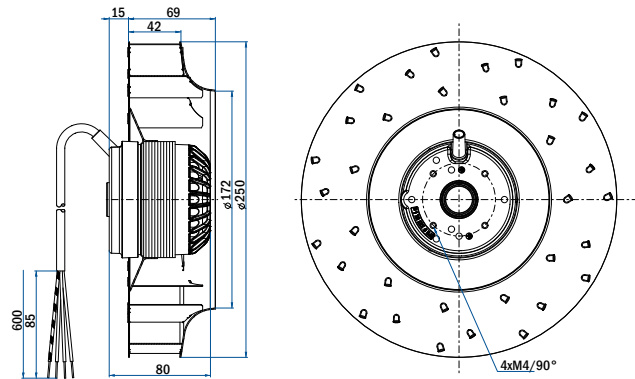
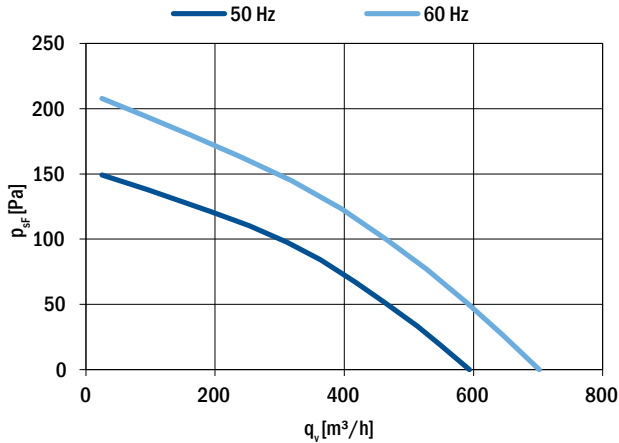
ErP data according to EU regulation 327/2011:

Is not subject to the EU regulation 327/2011.

Power input lower than 125 W.



| Type | Code | Weight (kg) |
|--------------------|-------------|-------------|
| R09T-2540D-4M-2502 | 0309-4-0065 | 2.1 |



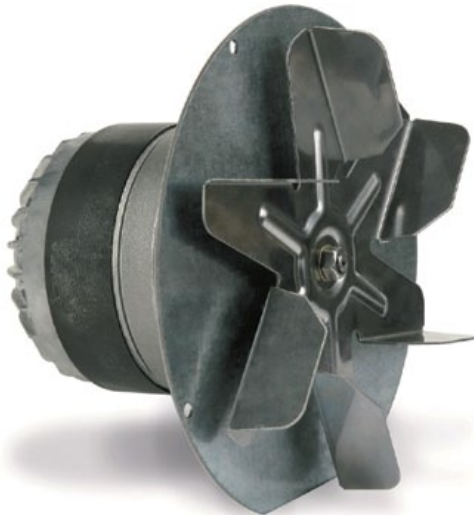
General notes

Connection diagram: 0301-1-0002 Page 145

Diameter:

150 mm

R09X-2M-1533



Nominal data according to standard EN 60335:

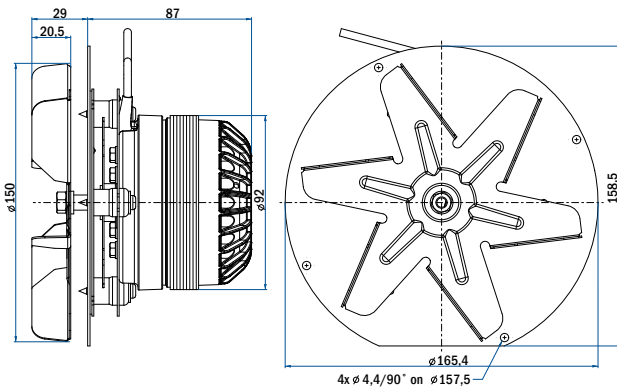
| | |
|-------------------|-----------------|
| Phase | 1~ |
| Nominal voltage | 230 V |
| Frequency | 50 Hz |
| Rated power input | 28 W |
| Rated current | 0.12 A |
| Rated speed | 2500 RPM |
| Condensator | 1 μ F/450 V |
| Connection | cabl |
| Insulation class | 155 |
| Protection class | IP44 |

ErP data according to EU regulation 327/2011:

Is not subject to the EU regulation 327/2011.

Power input lower than 125 W.

| Type | Code | Weight (kg) |
|--------------|-------------|-------------|
| R09X-2M-1533 | 0309-4-0155 | 1.9 |



General notes

Connection diagram:

0301-1-0026

Page 145

R09X-2M-2514

Diameter:

180 mm

Nominal data according to standard EN 60335:

| | |
|-------------------|--------------|
| Phase | 1~ |
| Nominal voltage | 230 V |
| Frequency | 50 Hz |
| Rated power input | 80 W |
| Rated current | 0.36 A |
| Rated speed | 2450 RPM |
| Condensator | 2.5 µF/450 V |
| Connection | cablc |
| Insulation class | 155 |
| Protection class | IP44 |

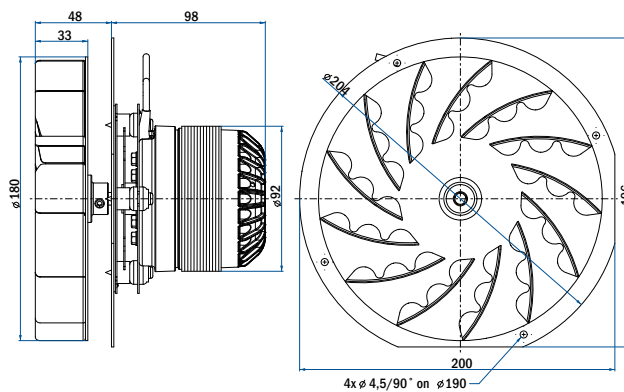
ErP data according to EU regulation 327/2011:

Is not subject to the EU regulation 327/2011.

Power input lower than 125 W.



| Type | Code | Weight (kg) |
|--------------|-------------|-------------|
| R09X-2M-1533 | 0309-4-0304 | 2.0 |



General notes

Connection diagram: 0301-1-0002 Page 145

06



Accessories

EC AXIAL FANS

AC AXIAL FANS
SICKLED BLADES

AC AXIAL FANS
PLASTIC BLADES

AC AXIAL FANS
PADDLE BLADES

AC RADIAL FANS
BACKWARD CURVED BLADES

ACCESSORIES

CONNECTION DIAGRAMS

Accessories

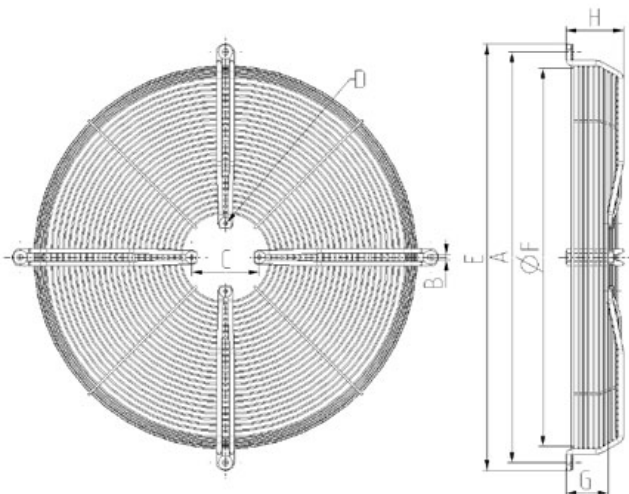
Main dimensions - Basket grills Type 1

| Fan dia | Motor type | A | B | C | D | E | Ø F | G | H | Code |
|---------|------------|-----|--------|-----|--------|-----|-----|------|------|-------------|
| 450 | EC10 | 515 | 9 | 164 | ∅ 6,5 | 534 | 475 | 47 | 82 | 0300-1-3349 |
| 450 | EC10 | 515 | 9 | 164 | ∅ 6,5 | 534 | 475 | 68 | 103 | 0300-1-3388 |
| 500 | EC10 | 565 | ∅ 11 | 164 | ∅ 6,5 | 590 | 522 | 56 | 93 | 0300-1-3348 |
| 560 | EC10 | 700 | ∅ 11 | 164 | ∅ 6,5 | 725 | 645 | 62 | 99 | 0300-1-3409 |
| 630 | EC10 | 750 | ∅ 11 | 164 | ∅ 6,5 | 775 | 695 | 81 | 118 | 0300-1-3347 |
| 630 | EC10 | 750 | ∅ 11 | 164 | ∅ 6,5 | 775 | 695 | 48 | 85 | 0300-1-3386 |
| 450 | R13 | 515 | ∅ 9,5 | 115 | ∅ 7 | 543 | 479 | 70 | 96 | 0300-1-3001 |
| 500 | R13 | 565 | ∅ 9,5 | 115 | ∅ 7 | 589 | 522 | 70 | 96 | 0300-1-3004 |
| 560 | R13 | 700 | ∅ 10,5 | 115 | ∅ 7 | 727 | 644 | 71.5 | 97.5 | 0300-1-3003 |
| 630 | R13 | 750 | ∅ 10,5 | 115 | ∅ 10,5 | 784 | 690 | 70 | 96 | 0300-1-3006 |

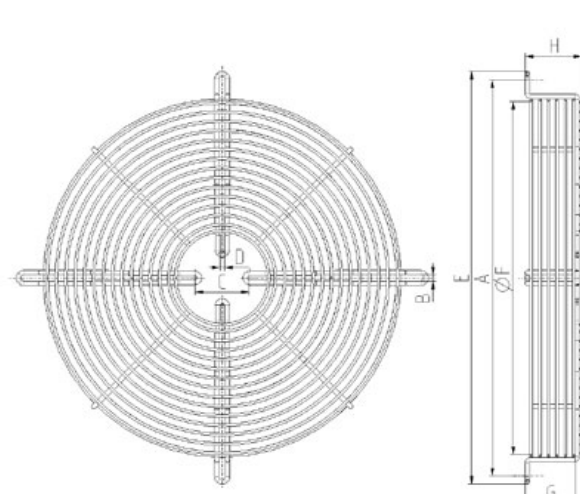
Main dimensions - Basket grills Type 2

| Fan dia | Motor type | A | B | C | D | E | Ø F | G | H | Code |
|-----------|------------|-----|-------|-----|-------|-----|-----|----|----|-------------|
| 250 | EC09 | 300 | 6.5 | 125 | 4.5 | 314 | 269 | 37 | 45 | 0300-1-3218 |
| 300 | EC09 | 360 | 6.5 | 125 | 4.5 | 376 | 316 | 53 | 61 | 0300-1-3217 |
| 330 / 315 | EC09 | 400 | 6.5 | 125 | 4.5 | 416 | 356 | 67 | 75 | 0300-1-3215 |
| 350 | EC09 | 442 | 6.5 | 125 | 4.5 | 460 | 376 | 76 | 84 | 0300-1-3198 |
| 200 | R09 | 260 | 6.5 | 58 | 6.5 | 274 | 230 | 37 | 45 | 0300-1-3103 |
| 250 | R09 | 300 | 6.5 | 58 | 6.5 | 314 | 269 | 37 | 45 | 0300-1-3104 |
| 300 | R09 | 360 | 6.5 | 58 | 6.5 | 376 | 316 | 35 | 43 | 0300-1-3009 |
| 315 | R09 | 375 | 6.5 | 58 | 6.5 | 393 | 336 | 57 | 65 | 0300-1-3022 |
| 350 | R09 | 422 | 6.5 | 58 | 6.5 | 440 | 376 | 53 | 61 | 0300-1-3008 |
| 350 | R11 | 442 | 6.5 | 90 | 6.5 | 485 | 376 | 53 | 61 | 0300-1-3027 |
| 400 | R11 | 455 | ∅ 9,5 | 90 | ∅ 6,5 | 476 | 422 | 76 | 84 | 0300-1-3026 |
| 450 | R11 | 520 | 10 | 90 | 10 | 540 | 480 | 55 | 73 | 0300-1-3000 |

Basket grills Type 1



Basket grills Type 2



Notes: Surface black painted RAL9005

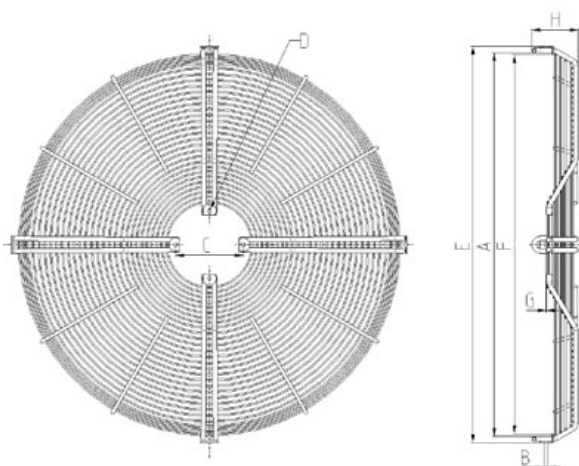
Main dimensions - Basket grills Type 3

| Fan dia | Motor type | A | B | C | D | E | F | G | H | Code |
|---------|------------|-----|------|-----|-------|-----|-----|----|----|-------------|
| 500 | EC10 | 519 | ∅ 11 | 164 | ∅ 6,5 | 537 | 511 | 1 | 50 | 0300-1-3381 |
| 560 | EC10 | 578 | ∅ 11 | 164 | ∅ 6,5 | 596 | 570 | 6 | 66 | 0300-1-3398 |
| 630 | EC10 | 654 | ∅ 7 | 164 | ∅ 6,5 | 676 | 646 | 6 | 66 | 0300-1-3382 |
| 560 | R13 | 579 | ∅ 7 | 115 | ∅ 7 | 601 | 571 | 17 | 94 | 0300-1-3089 |
| 630 | R13 | 654 | ∅ 7 | 115 | ∅ 7 | 676 | 646 | 1 | 79 | 0300-1-3087 |

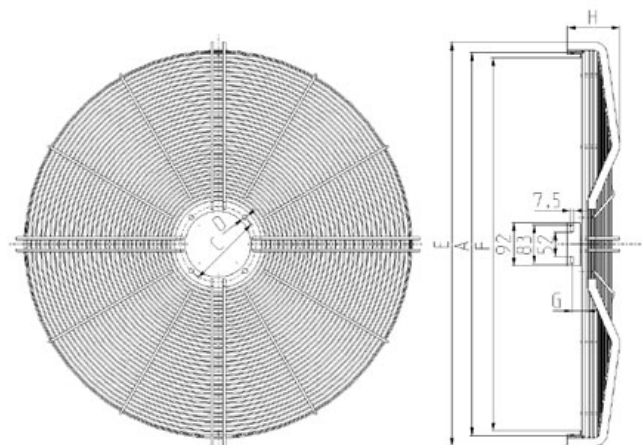
Main dimensions - Basket grills Type 4

| Fan dia | Motor type | A | B | C | D | E | F | G | H | Code |
|---------|------------|-----|------------|-----|------|-----|-----|----|-----|-------------|
| 710 | R18 | 731 | 7,5 x 14,5 | 182 | ∅ 11 | 777 | 715 | 32 | 112 | 0300-1-3077 |
| 800 | R18 | 816 | 7,5 x 15,5 | 182 | ∅ 11 | 816 | 795 | 30 | 112 | 0300-1-3072 |

Basket grills Type 3



Basket grills Type 4



Notes: Surface black painted RAL9005

EC AXIAL FANS

AC AXIAL FANS
SICKLED BLADES

AC AXIAL FANS
PLASTIC BLADES

AC AXIAL FANS
PADDLE BLADES

AC RADIAL FANS
BACKWARD CURVED BLADES

ACCESSORIES

CONNECTION DIAGRAMS

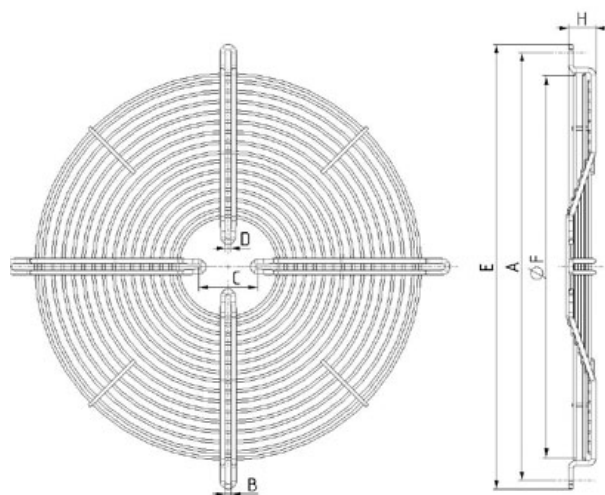
Main dimensions - Basket grills Type 5

| Fan dia | Motor type | A | B | C | D | E | ∅ F | G | H | Code |
|-----------|------------|-----|------|-----|-------|-----|-----|----|-----|-------------|
| 300 | R09 | 360 | 6.5 | 58 | 4.5 | 376 | 330 | 0 | 27 | 0300-1-3195 |
| 315 | R09 | 375 | 6.5 | 58 | 4.5 | 392 | 344 | 0 | 27 | 0300-1-3194 |
| 330 | R09 | 408 | 6.5 | 58 | 4.5 | 424 | 376 | 0 | 27 | 0300-1-3193 |
| 350 | R09 | 422 | 6.5 | 58 | 4.5 | 438 | 376 | 0 | 27 | 0300-1-3192 |
| 400 | EC10 | 455 | 9 | 164 | ∅ 6,5 | 474 | 416 | 43 | 78 | 0300-1-3377 |
| 400 | EC10 | 455 | 9 | 164 | ∅ 6,5 | 474 | 416 | 68 | 103 | 0300-1-3369 |
| 420 | EC10 | 483 | 9 | 164 | ∅ 6,5 | 502 | 434 | 45 | 80 | 0300-1-3376 |
| 420 | EC10 | 483 | 9 | 164 | ∅ 6,5 | 502 | 434 | 68 | 103 | 0300-1-3389 |
| 400 / 420 | EC10 | 502 | 9 | 164 | ∅ 6,5 | 521 | 461 | 23 | 58 | 0300-1-3390 |
| 400 / 420 | EC10 | 502 | 9 | 164 | ∅ 6,5 | 521 | 461 | -7 | 28 | 0300-1-3385 |
| 450 | EC10 | 560 | 9 | 164 | ∅ 6,5 | 579 | 521 | -7 | 28 | 0300-1-3383 |
| 450 | EC10 | 560 | 9 | 164 | ∅ 6,5 | 579 | 521 | 19 | 54 | 0300-1-3393 |
| 500 | EC10 | 565 | ∅ 11 | 164 | ∅ 6,5 | 590 | 522 | 56 | 93 | 0300-1-3387 |
| 500 | EC10 | 615 | ∅ 11 | 164 | ∅ 6,5 | 640 | 570 | 2 | 38 | 0300-1-3392 |
| 560 | EC10 | 658 | ∅ 11 | 164 | ∅ 6,5 | 683 | 613 | -6 | 30 | 0300-1-3408 |
| 630 | EC10 | 720 | ∅ 11 | 164 | ∅ 6,5 | 745 | 675 | -6 | 30 | 0300-1-3391 |

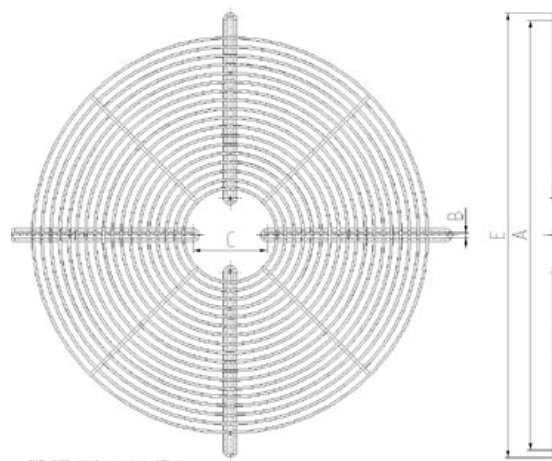
Main dimensions - Flat grills

| Fan dia | Motor type | A | B | C | D | E | | | | Code |
|---------|------------|-----|-----|----|-----|-----|--|--|--|-------------|
| 200 | R09 | 250 | 6 | 58 | 4.5 | 314 | | | | 0300-1-3094 |
| 250 | R09 | 300 | 6 | 58 | 4.5 | 264 | | | | 0300-1-3095 |
| 400 | R11 | 467 | 6.5 | 90 | 6.5 | 490 | | | | 0300-1-3128 |
| 450 | R11 | 520 | 6.5 | 90 | 6.5 | 538 | | | | 0300-1-3030 |
| 500 | R11 | 565 | 9.5 | 90 | 6.5 | 586 | | | | 0300-1-3031 |
| 560 | R11 | 625 | 9.5 | 90 | 9.5 | 644 | | | | 0300-1-3032 |

Basket grills Type 5



Flat grills



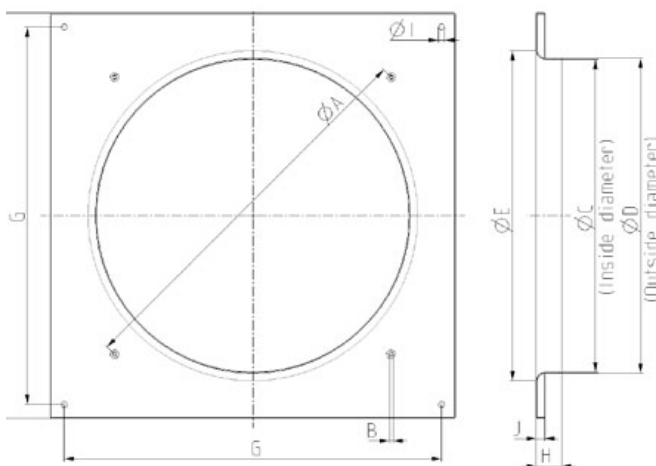
Notes: Surface black painted RAL9005

Wall plates

Main dimensions - Square short wall plates

| Fan dia | Airflow direction | A | B | Ø C | Ø D | Ø E | q F | G | H | Ø I | J | Code |
|---------|-------------------|-----|----|-----|-----|-----|-----|-----|----|-----|----|-------------|
| 300 | sucking | 360 | M6 | 307 | 310 | 337 | 430 | 380 | 45 | 11 | 15 | 0300-6-7122 |
| 300 | blowing | 360 | M6 | 307 | 310 | 337 | 430 | 380 | 45 | 11 | 15 | 0300-4-7073 |
| 315 | sucking | 375 | M6 | 319 | 322 | 349 | 430 | 380 | 45 | 11 | 15 | 0300-6-7120 |
| 315 | blowing | 375 | M6 | 319 | 322 | 349 | 430 | 380 | 45 | 11 | 15 | 0300-6-7075 |
| 330 | sucking | 400 | M6 | 337 | 340 | 367 | 485 | 435 | 45 | 11 | 15 | 0300-6-7118 |
| 330 | blowing | 400 | M6 | 337 | 340 | 367 | 485 | 435 | 45 | 11 | 15 | 0300-6-7104 |
| 350 | sucking | 422 | M6 | 360 | 363 | 390 | 485 | 435 | 45 | 11 | 15 | 0300-6-7116 |
| 350 | blowing | 422 | M6 | 360 | 363 | 390 | 485 | 435 | 45 | 11 | 15 | 0300-6-7077 |
| 400 | sucking | 455 | M8 | 403 | 406 | 433 | 540 | 490 | 45 | 11 | 15 | 0300-6-7114 |
| 400 | blowing | 455 | M8 | 403 | 406 | 433 | 540 | 490 | 45 | 11 | 15 | 0300-6-7079 |
| 420 | sucking | 483 | M8 | 426 | 429 | 460 | 575 | 535 | 45 | 11 | 15 | 0300-6-7086 |
| 420 | blowing | 483 | M8 | 426 | 429 | 460 | 575 | 535 | 45 | 11 | 15 | 0300-6-7087 |
| 450 | sucking | 515 | M8 | 452 | 455 | 482 | 575 | 535 | 45 | 11 | 15 | 0300-6-7112 |
| 450 | blowing | 515 | M8 | 452 | 455 | 482 | 575 | 535 | 45 | 11 | 15 | 0300-6-7069 |
| 500 | sucking | 565 | M8 | 504 | 507 | 534 | 655 | 615 | 45 | 11 | 15 | 0300-6-7110 |
| 500 | blowing | 565 | M8 | 504 | 507 | 534 | 655 | 615 | 45 | 11 | 15 | 0300-6-7081 |
| 560 | sucking | 700 | M8 | 560 | 563 | 590 | 725 | 675 | 45 | 11 | 15 | 0300-6-7108 |
| 560 | blowing | 700 | M8 | 560 | 563 | 590 | 725 | 675 | 45 | 11 | 15 | 0300-6-7083 |
| 630 | sucking | 750 | M8 | 635 | 638 | 675 | 805 | 750 | 60 | 11 | 15 | 0300-6-7106 |
| 630 | blowing | 750 | M8 | 635 | 638 | 675 | 805 | 750 | 60 | 11 | 15 | 0300-6-7071 |

Square short wall plate



EC AXIAL FANS

AC AXIAL FANS
SICKLED BLADES

AC AXIAL FANS
PLASTIC BLADES

AC AXIAL FANS
PADDLE BLADES

AC RADIAL FANS
BACKWARD CURVED BLADES

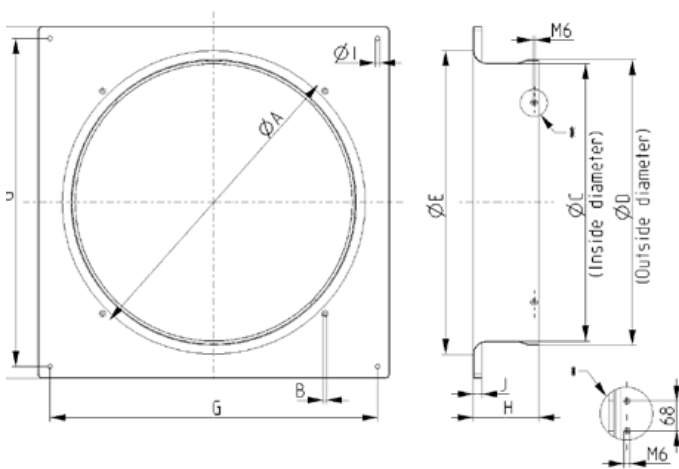
ACCESSORIES

CONNECTION DIAGRAMS

Main dimensions - Square long wall plates

| Fan dia | Airflow direction | A | B | Ø C | Ø D | Ø E | q F | G | H | Ø I | J | Code |
|---------|-------------------|-----|----|-----|-----|-----|-----|-----|-----|------|----|-------------|
| 500 | sucking | 615 | M8 | 504 | 518 | 585 | 656 | 615 | 118 | 11 | 16 | 0300-6-7089 |
| 560 | sucking | 658 | M8 | 560 | 577 | 630 | 725 | 675 | 135 | 11 | 16 | 0300-6-7095 |
| 630 | sucking | 720 | M8 | 634 | 653 | 695 | 805 | 750 | 150 | 11 | 20 | 0300-6-7091 |
| 710 | sucking | / | / | 711 | 729 | 790 | 850 | 810 | 167 | 14.5 | 20 | 0300-6-7085 |
| 800 | sucking | / | / | 797 | 815 | 915 | 970 | 910 | 210 | 14.5 | 17 | 0300-6-7068 |

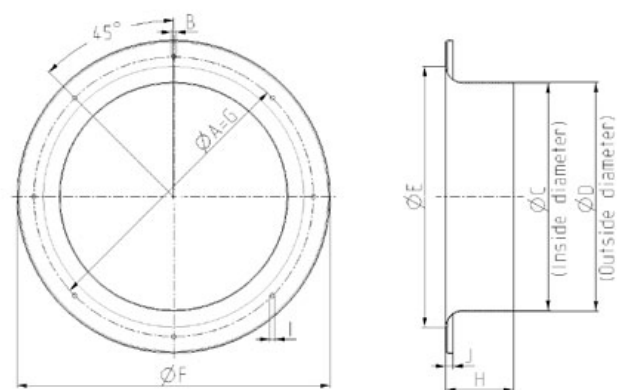
Square long wall plate



Main dimensions - Round long wall plates 1

| Fan dia | Airflow direction | A | B | Ø C | Ø D | Ø E | Ø F | G | H | Ø I | J | Code |
|---------|-------------------|-----|-----|-----|-----|-----|-----|-----|----|-----|-----|-------------|
| 200 | blowing | 250 | 4.3 | 203 | 206 | 233 | 280 | 250 | 61 | 6.4 | 6.5 | 0300-6-7102 |
| 250 | blowing | 300 | 4.3 | 253 | 256 | 287 | 330 | 300 | 65 | 6.4 | 7.5 | 0300-6-7103 |

Round long wall plate Type 1

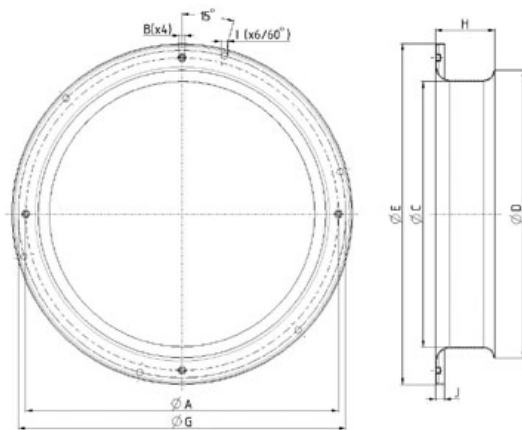


Notes: Surface black painted RAL9005

Main dimensions - Round long wall plates 2

| Fan dia | Airflow direction | A | B | Ø C | Ø D | Ø E | q F | G | H | Ø I | J | Code |
|---------|-------------------|-------|----|-----|-----|-----|-----|-------|-----|-----|----|-------------|
| 300 | sucking | 361 | M6 | 306 | 326 | 397 | / | 380 | 80 | 9 | 11 | 0300-4-7144 |
| 315 | sucking | 375.5 | M6 | 317 | 347 | 397 | / | 380.5 | 74 | 9 | 11 | 0300-6-7146 |
| 330 | sucking | 408 | M6 | 336 | 369 | 440 | / | 404 | 80 | 9 | 9 | 0300-6-7148 |
| 350 | sucking | 422 | M6 | 358 | 388 | 460 | / | 442 | 80 | 9 | 12 | 0300-6-7150 |
| 400 | sucking | 502 | M6 | 400 | 419 | 528 | / | 504 | 96 | 9 | 12 | 0300-6-7166 |
| 420 | sucking | 502 | M8 | 426 | 447 | 544 | / | 520 | 96 | 9 | 12 | 0300-6-7168 |
| 450 | sucking | 560 | M8 | 454 | 465 | 607 | / | 578 | 100 | 9 | 14 | 0300-6-7170 |

Round long wall plate Type 2



Notes: Surface black painted RAL9005

EC AXIAL FANS

AC AXIAL FANS
SICKLED BLADES

AC AXIAL FANS
PLASTIC BLADES

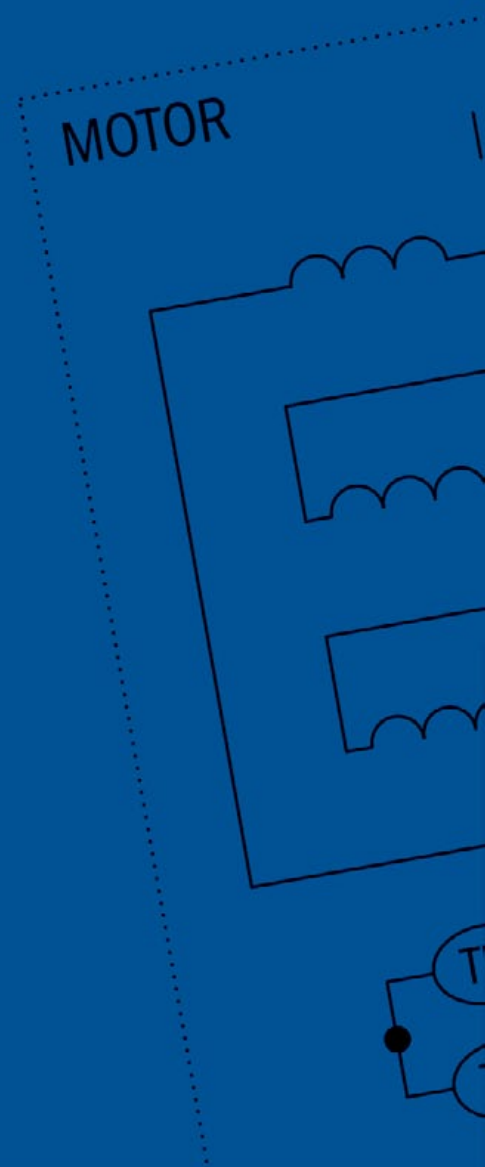
AC AXIAL FANS
PADDLE BLADES

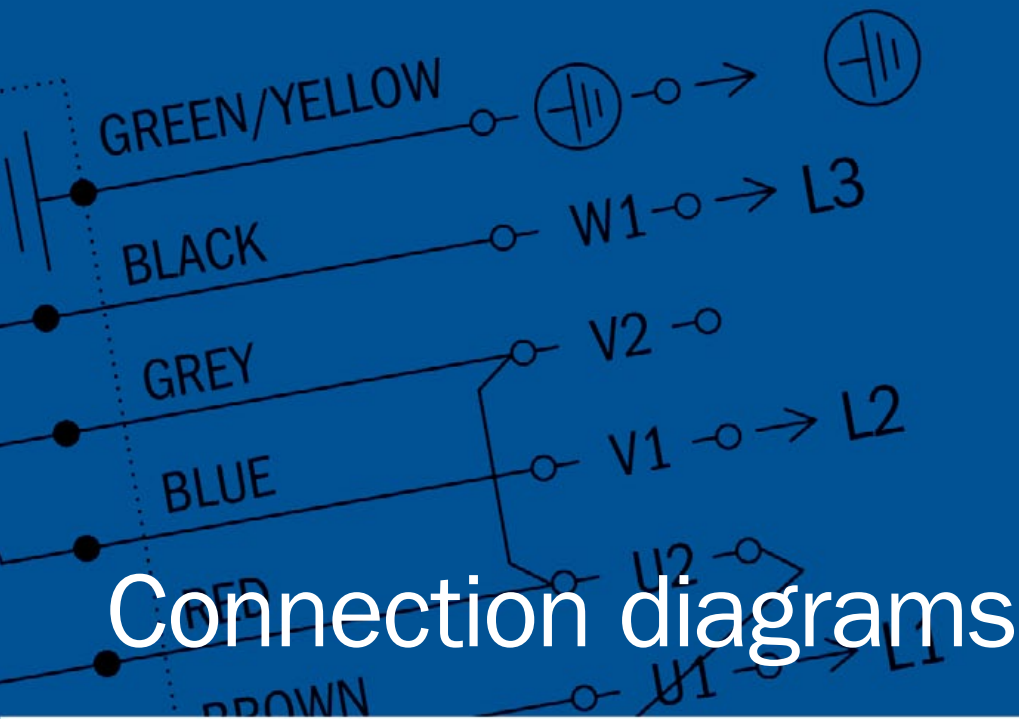
AC RADIAL FANS
BACKWARD CURVED BLADES

ACCESSORIES

CONNECTION DIAGRAMS

07





EC AXIAL FANS

AC AXIAL FANS
SICKLED BLADES

AC AXIAL FANS
PLASTIC BLADES

AC AXIAL FANS
PADDLE BLADES

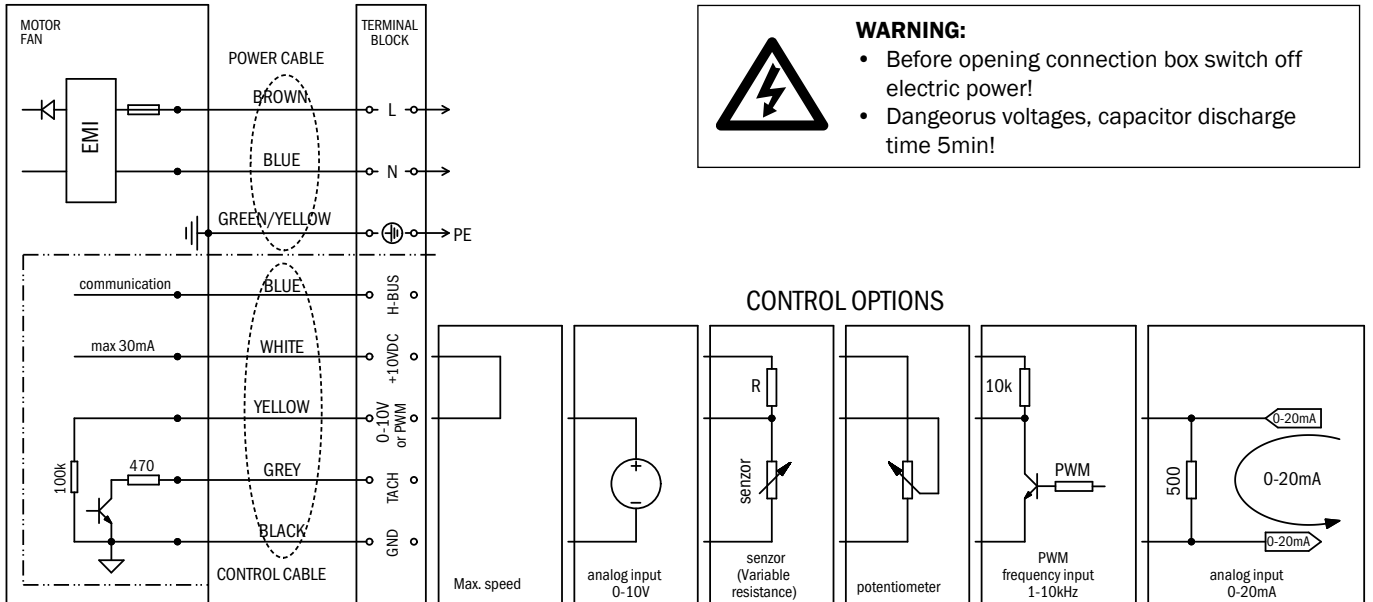
AC RADIAL FANS
BACKWARD CURVED BLADES

ACCESSORIES

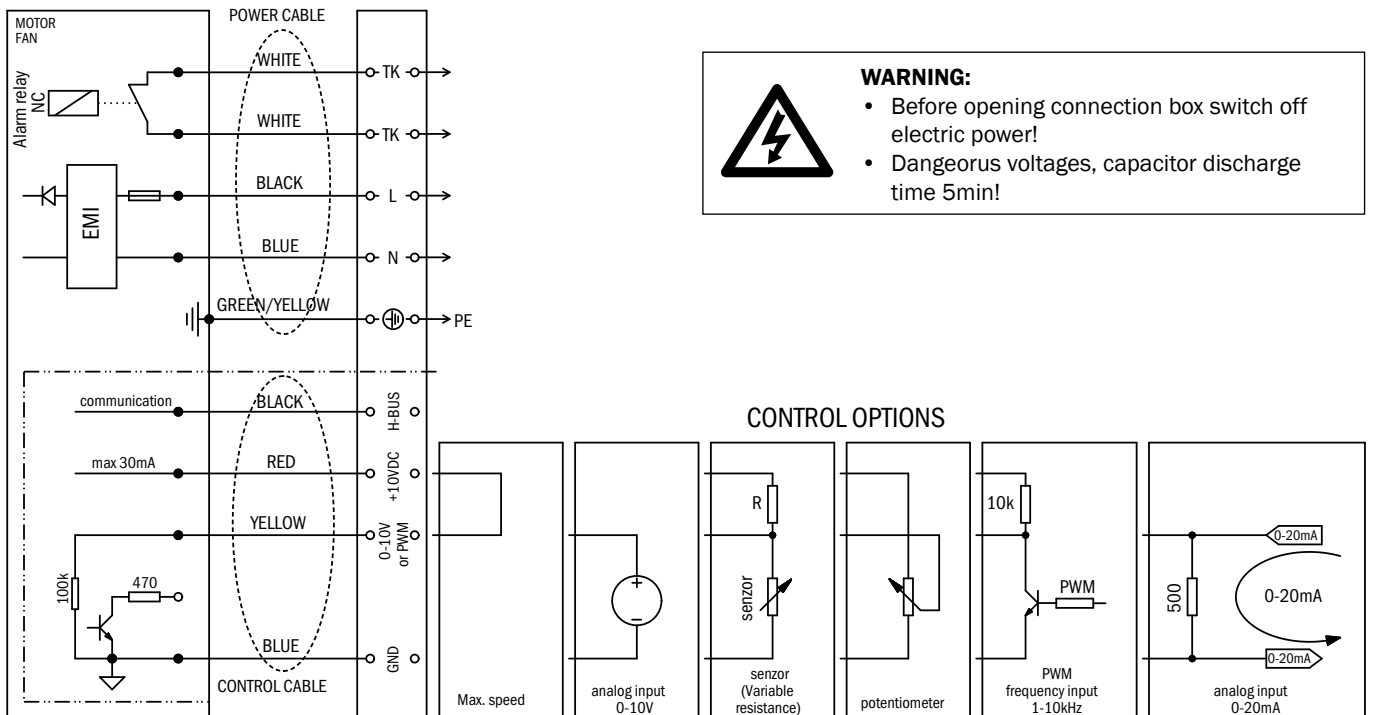
CONNECTION DIAGRAMS

Connection diagrams

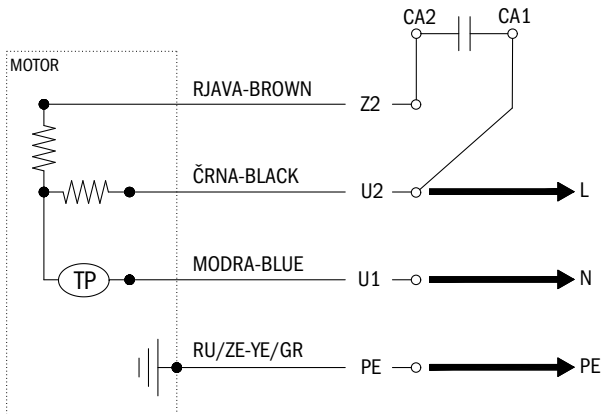
■ Connection diagrams 0302-1-0000



■ Connection diagrams 0302-1-0100

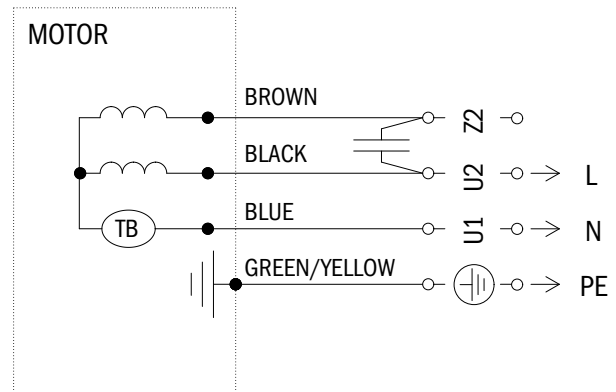


■ Connection diagrams 0301-1-0002

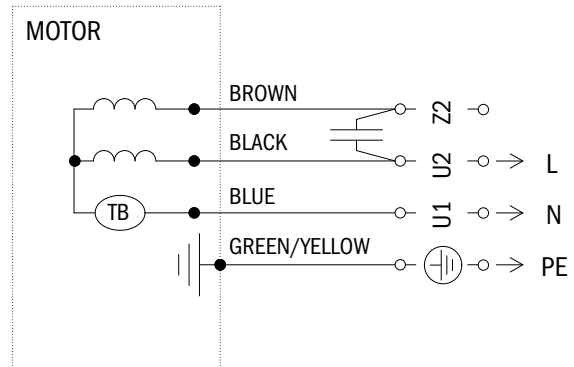


| Rotation | L | N | PE | Join together | Protection device | Winding connection |
|---------------------|------------|-----------|------------|------------------------|----------------------|---------------------------------------|
| CCW from cable side | U2 (black) | U1 (blue) | PE (ye/gr) | [CA1, U2] [CA2, Z2] | Internally connected | Permanent split phase capacitor motor |

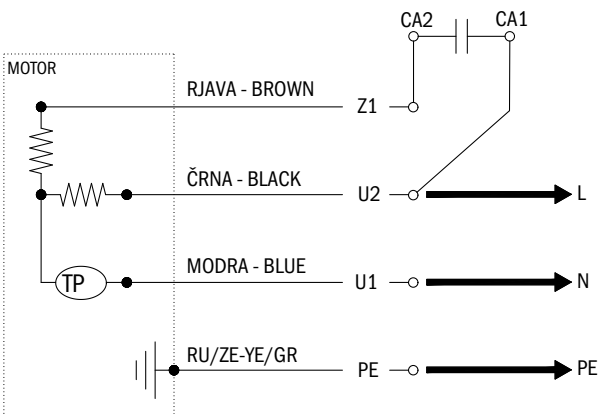
■ Connection diagrams 0301-1-0043



■ Connection diagrams 0301-1-0044



■ Connection diagrams 0301-1-0026



| Rotation | L | N | PE | Join together | Protection device | Winding connection |
|--------------------|------------|-----------|------------|------------------------|----------------------|---------------------------------------|
| CW from cable side | U2 (black) | U1 (blue) | PE (ye/gr) | [CA1, U2] [CA2, Z2] | Internally connected | Permanent split phase capacitor motor |

EC AXIAL FANS

AC AXIAL FANS SICKLED BLADES

AC AXIAL FANS PLASTIC BLADES

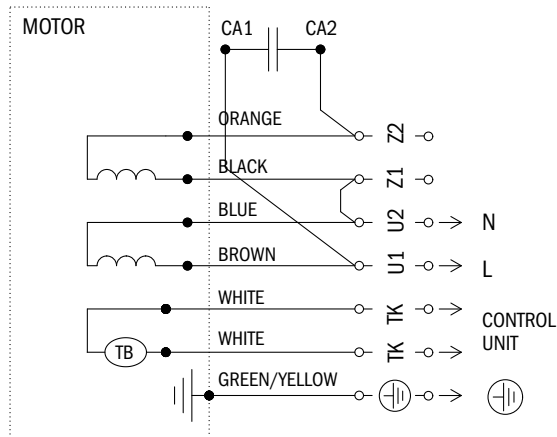
AC AXIAL FANS PADDLE BLADES

AC RADIAL FANS BACKWARD CURVED BLADES

ACCESSORIES

CONNECTION DIAGRAMS

■ Connection diagrams 0301-1-0029

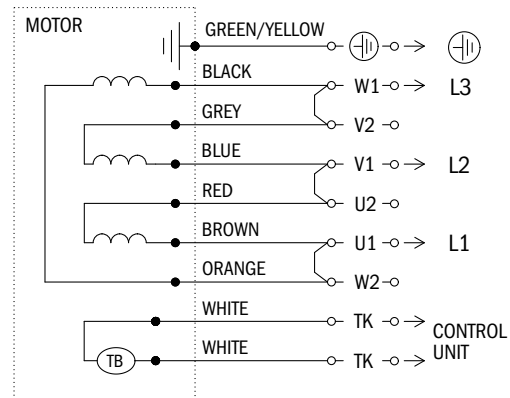


Connection options:

| Rotation | L1 | N | PE | Protection device | Join together | Winding connection |
|--------------------|----|----|----|-------------------|------------------------------------|---|
| CW from cable side | U1 | U2 | PE | TK, TK | [CA1, U1] [CA2, Z2] [U2, Z1] | 1.ph motor with capacitor and thermal contacts. |

* Temperature monitors (TK) built in to the winding serve as motor cut-out switch and must be connected to the outside control unit!

■ Connection diagrams 0301-1-0048



Connection options:

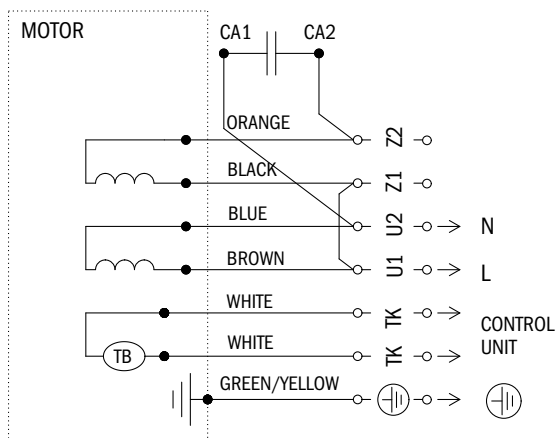
| L1 | L2 | L3 | PE | Protection device | Join together | Winding connection |
|----|----|----|----|-------------------|---------------------------------|-----------------------------------|
| U1 | V1 | W1 | PE | TK, TK | [U1,W2]; [V1,U2]; [W1,V2] | DELTA (Δ) - high speed (STANDARD) |
| U1 | V1 | W1 | PE | TK, TK | [U2,V2,W2]; | STAR (Y) - low speed |

* Changing of rotation direction by interchanging of 2 phases!

* Without bridges when using speed-change over switch!

* Temperature monitors (TK) built in to the winding serve as motor cut-out switch and must be connected to the outside control unit!

■ Connection diagrams 0301-1-0035

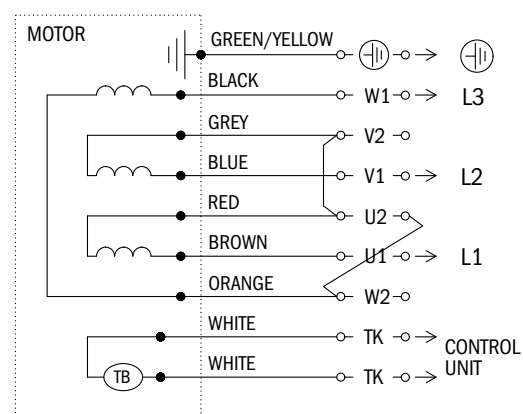


Connection options:

| Rotation | L1 | N | PE | Protection device | Join together | Winding connection |
|---------------------|----|----|----|-------------------|------------------------------------|---|
| CCW from cable side | U1 | U2 | PE | TK, TK | [U1, Z1] [U2, CA1] [Z2, CA2] | 1.ph motor with capacitor and thermal contacts. |

* Temperature monitors (TK) built in to the winding serve as motor cut-out switch and must be connected to the outside control unit!

■ Connection diagrams 0301-1-0049



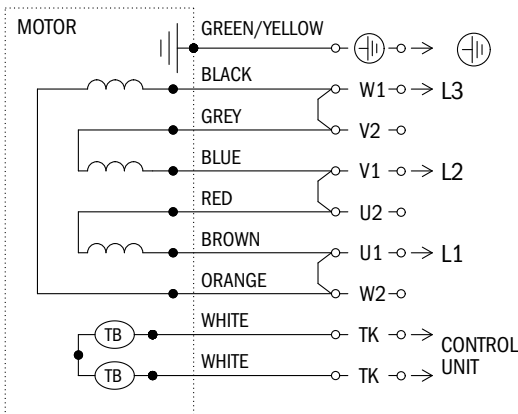
Connection options:

| L1 | L2 | L3 | PE | Protection device | Join together | Winding connection |
|----|----|----|----|-------------------|---------------------------------|------------------------------------|
| U1 | V1 | W1 | PE | TK, TK | [U2,V2,W2] | STAR (Y) - high voltage (STANDARD) |
| U1 | V1 | W1 | PE | TK, TK | [U1,W2]; [V1,U2]; [W1,V2] | DELTA (Δ) - low voltage |

* Changing of rotation direction by interchanging of 2 phases!

* Temperature monitors (TK) built in to the winding serve as motor cut-out switch and must be connected to the outside control unit!

■ Connection diagrams 0301-1-0033

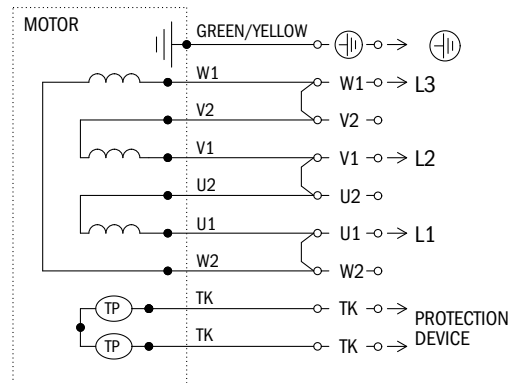


Connection options:

| L1 | L2 | L3 | PE | Protection device | Join together | Winding connection |
|----|----|----|----|-------------------|---------------------------------|---|
| U1 | V1 | W1 | PE | TK, TK | [U1,W2]; [V1,U2]; [W1,V2] | DELTA (Δ) - high speed (STANDARD) |
| U1 | V1 | W1 | PE | TK, TK | [U2,V2,W2]; | STAR (Y) - low speed |

- * Changing of rotation direction by interchanging of 2 phases!
- * Without bridges when using speed-change over switch!
- * Temperature monitors (TK) built in to the winding serve as motor cut-out switch and must be connected to the outside control unit!

■ Connection diagrams 0301-1-0031

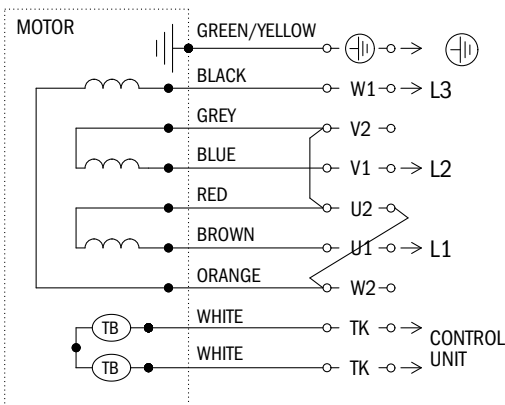


Connection options:

| L1 | L2 | L3 | PE | Protection device | Join together | Winding connection |
|----|----|----|----|-------------------|---------------------------------|---|
| U1 | V1 | W1 | PE | TK, TK | [U1,W2]; [V1,U2]; [W1,V2] | DELTA (Δ) - high speed (STANDARD) |
| U1 | V1 | W1 | PE | TK, TK | [U2,V2,W2]; | STAR (Y) - low speed |

- * Changing of rotation direction by interchanging of 2 phases!
- * Without bridges when using speed-change over switch!
- * Thermal contacts rating: AC 250V, 2.5A at cos φ=1.0, 1.6A at cos φ=0.6, temperature sensing.

■ Connection diagrams 0301-1-0034



Connection options:

| L1 | L2 | L3 | PE | Protection device | Join together | Winding connection |
|----|----|----|----|-------------------|---------------------------------|--|
| U1 | V1 | W1 | PE | TK, TK | [U2,V2,W2] | STAR (Y) - high voltage (STANDARD) |
| U1 | V1 | W1 | PE | TK, TK | [U1,W2]; [V1,U2]; [W1,V2] | DELTA (Δ) - low voltage |

- * Changing of rotation direction by interchanging of 2 phases!
- * Temperature monitors (TK) built in to the winding serve as motor cut-out switch and must be connected to the outside control unit!

Sales and distribution:

AUSTRALIA AND NEW ZEALAND

KCK CORPORATION PTY
84 Nortgate Drive,
Thomastown, Vic 3074
Australia
T: +61 3 94642066
F: +61 3 94642077
E: sales@hidria.com.au

MIDDLE EAST

REFRIGERATION EQUIPMENT /
PANICKER
PO Box 3943
Dubai
T: +971 4 2222349
E: sales@panickerholdings.com
www.wearehvac.com

EBRAHIM AL-JASSIM SONS
TRADING CO., LTD.
PO Box.102, King Kaled St.
DAMMAM-31411
Saudi Arabia
T: +966 13 8332109 Extn. 111
E: mejassim@al-jassim.com

SOUTHEAST ASIA

UNITE ACCESS COMPANY
LIMITED
219/2 Asoke Towers
Sukhumvit 21 (Soi Asoke),
Khlontgoey Nua, Wattana
Bangkok 10110
Thailand
T: +66 2 1209622
E: hidria@hidria-thailand.com

BENELUX

ECR-NEDERLAND BV
Collseweg 26, 5674 TR
Nuenen
Postbus 16, 5670 AA Nuenen
Nederland
T: +31 (0)40 299 06 00
E: verkoop@ecr-nederland.nl
www.ecr.nederland.nl

BULGARIA

NOVOTECHPROM OOD
6000 Stara Zagora
Kv. Industrialen
Kaloianovsko shose str., 16
Bulgaria
T: +359 42 603 309
E: ntp@novotechprom.com
www.novotechprom.com

FINLAND AND ESTONIA

REPAIR OY
Atomitie 1 FIN-00370
Helsinki
Finland
T: +358 9 5657780
E: info@refair.fi
www.refair.fi

GERMANY

Sales office:
HELMUT MUEHLENHOFF
Taubenstr. 18
85591 Vaterstetten
T: +49(0)81069958944
E: helmut.muehlenhoff@t-
online.de

ITALY

SI.VEN COMPONENTS S.R.L.
Via P. Gorini 44
26900 Lodi
Italy
T: +39 0371428249
E: si.ven@tiscali.it

KOREA

DAESUNG MAREF CO.,LTD
851-8, Hwasan-ri Ujeong-eup
Hwaseong city Gyeonggi-do,
Korea
T: +82 31 421 8883
E: dsc@dsmaref.com

RUSSIA

REPRESENTATIVE OFFICE
HIDRIA MOSCOW
Srednyaya Pereyaslavskaya
str. 14
build 1, office 15-16
RU-129110 Moscow
Rusija
T: +7 (495) 974 1713
F: +7 (495) 974 1713
E: hidria.moscow@hidria.com
www.hidria.com

SLOVENIJA

EMPOR
Leskoškova 9a
1000 Ljubljana
T: +386 1 5203820
E: empor@empor.si
www.empor.si

SERBIA

FRIGO RADAK COMPANY
D.O.O.
Đurđevdanska 20
11000 Beograd
Serbia
T: +381 11 3945577
M: +381 63 318539

SWEDEN AND DENMARK

NORDICOLD AB
Datavägen 16,
43632 askim
Sweden
T: +46 31680440
E: info@nordicold.se
www.nordicold.se

USA

HIDRIA USA INC.
202 Beechtree Business Park
Greenville, SC 29605
T: +1 864 331 0177
E: sarah.davis@ht-usa.com

TURKEY

FRIGOTERM SOG.CIH.SAN. VE
TIC. A.S.
Tarlabasi Caddesi No. 110,
80080 Beyoglu - Istanbul
Turkey
T: +90(0)2122371929
E: international@frigoterm.tr



Hidria Rotomatika d. o. o.

Spodnja Kanomlja 23
5281 Spodnja Idrija,
Slovenia
T: +386 5 3756 000
E: sales.fans@hidria.com
www.hidria.com